

33" TOTTEN

GRANITE COMPOSITE UNDERMOUNT KITCHEN SINK - BLACK

SKU: 948461, 948462



FEATURES

36-inch minimum base cabinet width.

It is recommended to have the sink at the job site before cutting cabinet or counter top.

Resistant to heat, stains, and scratches.

CONTENTS

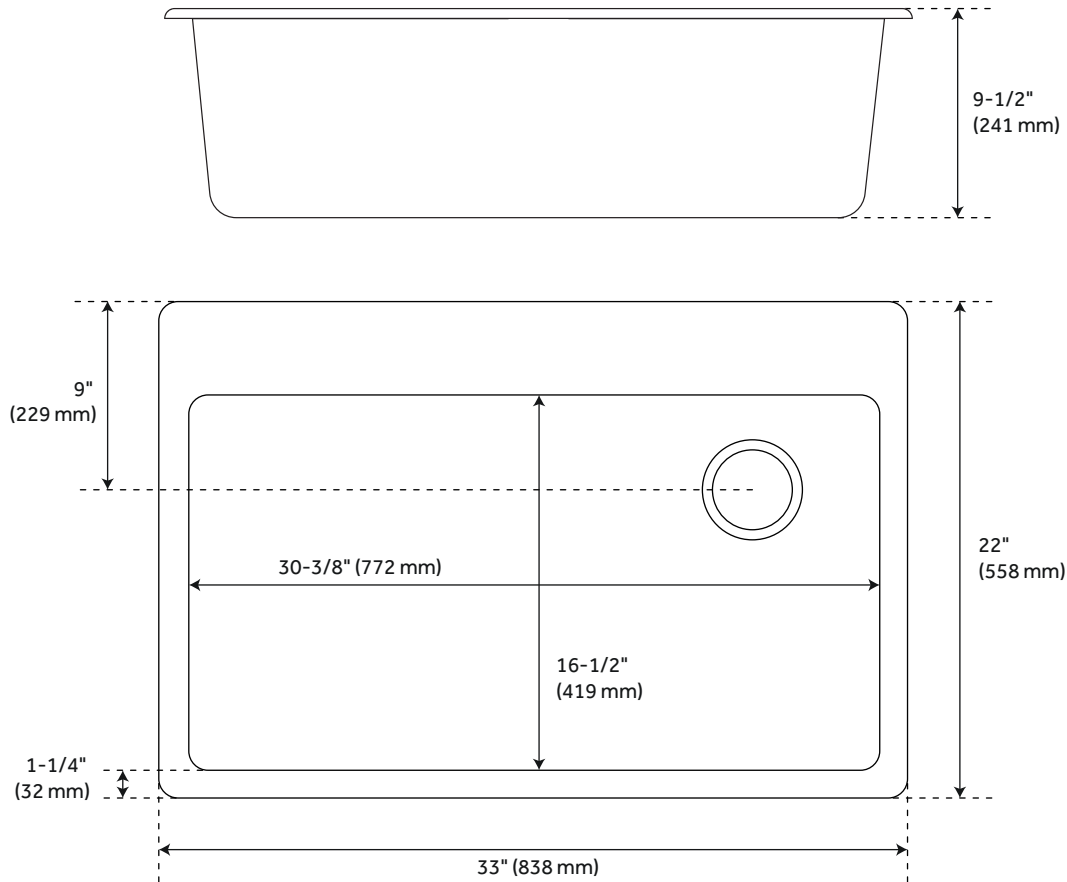
UNDERMOUNT SINK	PAGE 2
DROP-IN SINK	PAGE 3
SINK GRID	PAGE 4

REVISED 08/14/2020

33" TOTTEN

GRANITE COMPOSITE UNDERMOUNT KITCHEN SINK - BLACK

SKU: 948461



FEATURES

Material: Granite Composite
Basin Split: Single
Shape: Rectangle
Sink Installation: Undermount
Faucet Centers: No Faucet Hole
Number Of Basins: 1
Product Color: Black
Length: 33"
Width: 22"
Height: 9-1/2"
Basin Length: 30-3/8"
Basin Width: 16-1/2"
Water Depth To Rim: 9-1/2"
Faucet Included: No
Faucet Holes: No Faucet Hole
Drain Placement: Offset Rear-right Drain
Drain Included: Optional
Fits Drain Hole Size: 3-1/2"
Mounting Hardware Included: Yes

CODES/STANDARDS

cUPC
CSA B45.5/IAPMO Z124
Massachusetts Accepted



PRODUCT IMAGE



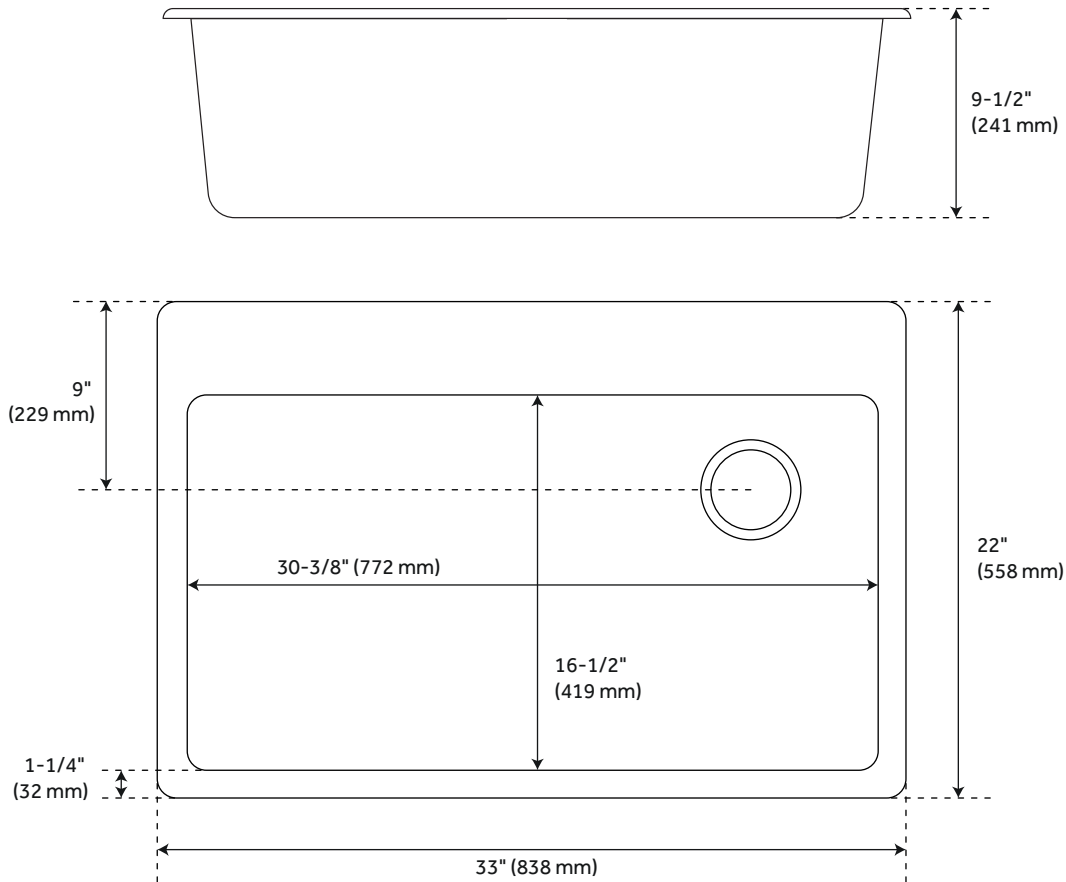
All dimensions and specifications are nominal and may vary. Use actual products for accuracy in critical situations.

PAGE 2
Code: SHGR1B3322BL

33" TOTTEN

GRANITE COMPOSITE DROP-IN KITCHEN SINK - BLACK

SKU: 948462



FEATURES

Material: Granite Composite
Basin Split: Single
Shape: Rectangle
Sink Installation: Drop-in
Faucet Centers: No Faucet Hole
Number Of Basins: 1
Product Color: Black
Length: 33"
Width: 22"
Height: 9-1/2"
Basin Length: 30-3/8"
Basin Width: 16-1/2"
Water Depth To Rim: 9-1/2"
Faucet Included: No
Faucet Holes: No Faucet Hole
Drain Placement: Offset Rear-right Drain
Drain Included: Optional
Fits Drain Hole Size: 3-1/2"
Mounting Hardware Included: Yes

CODES/STANDARDS

cUPC
CSA B45.5/IAPMO Z124
Massachusetts Accepted



PRODUCT IMAGE



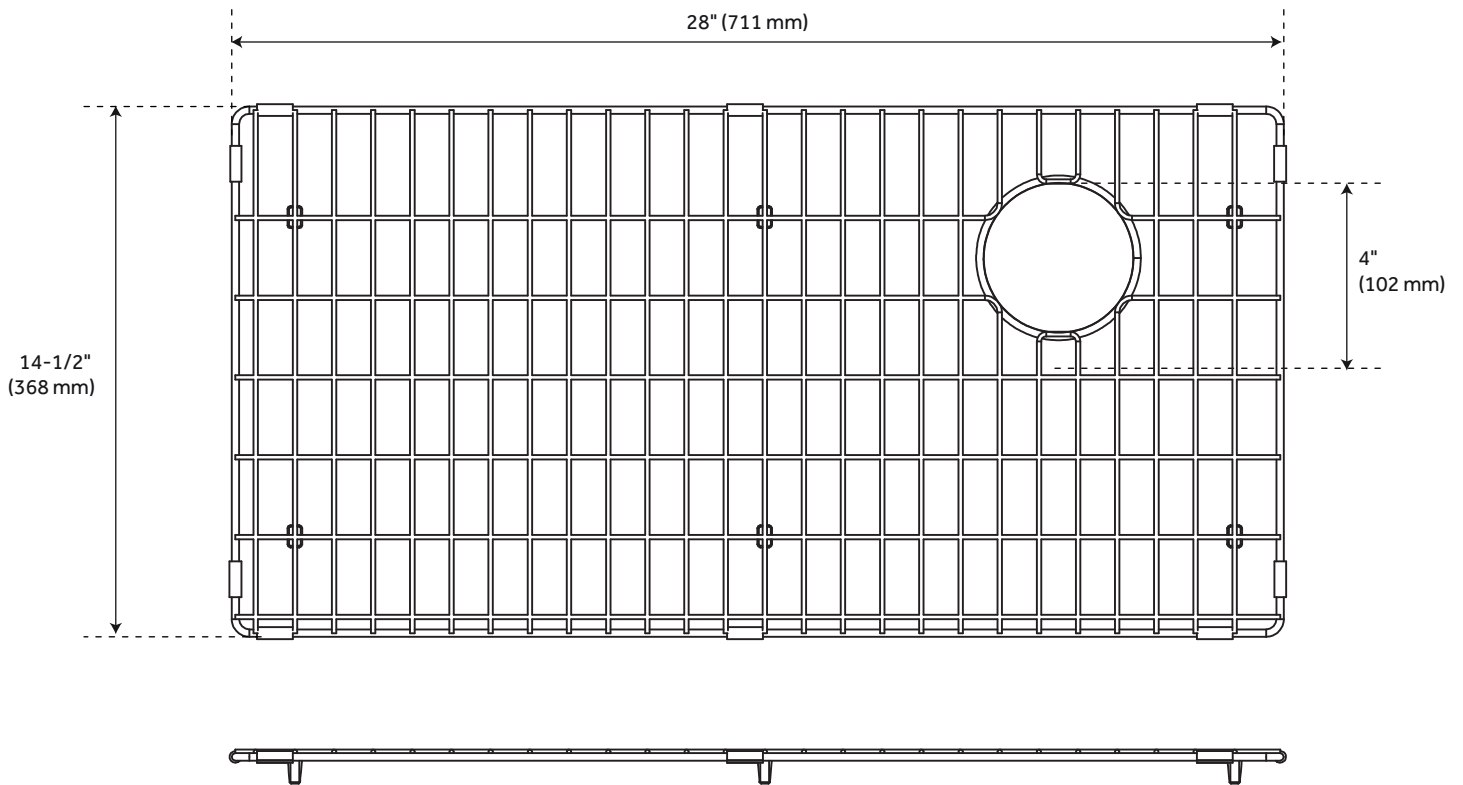
All dimensions and specifications are nominal and may vary. Use actual products for accuracy in critical situations.

PAGE 3
Code: SHGR1B3322BL

33" TOTTEN

SINK GRID FOR 33" SINGLE-BOWL GRANITE COMPOSITE SINK

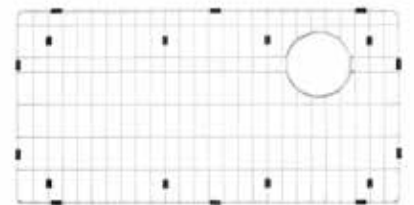
SKU: 950766



FEATURES

Material: Stainless Steel
Length: 28" (711 mm)
Width: 14-1/2" (368 mm)
Drain Size: 4" (102 mm)

PRODUCT IMAGE



All dimensions and specifications are nominal and may vary. Use actual products for accuracy in critical situations.

PAGE 4
Code: SHG2814