

KEY WEST

TWO-PIECE SKIRTED ELONGATED TOILET - ADA COMPLIANT - WHITE

SKU: 948434



FEATURES

- Skirted bowl with concealed trapway.
- Toilet with a standard seat meets ADA requirements when installed according to ADA guidelines.
- High efficiency toilet uses 20% less water than standard toilets.
- Optional bidet seat details:
 - Bidet seat adds 1" to bowl height.
 - Side knob allows for adjustment of angle, water volume, and cleaning type.
 - Spray nozzle features multiple holes for a softer cleanse and water saving operation.
 - Spray nozzle is self-cleaning, antibacterial, and removable for further cleaning.
 - Bidet seat has a glossy finish with protective bumpers and self-closing seat/lid.
- Includes polished chrome metal flush lever.

SIGNATURE HARDWARE Lifetime Warranty

See website for detailed warranty information.

CONTENTS

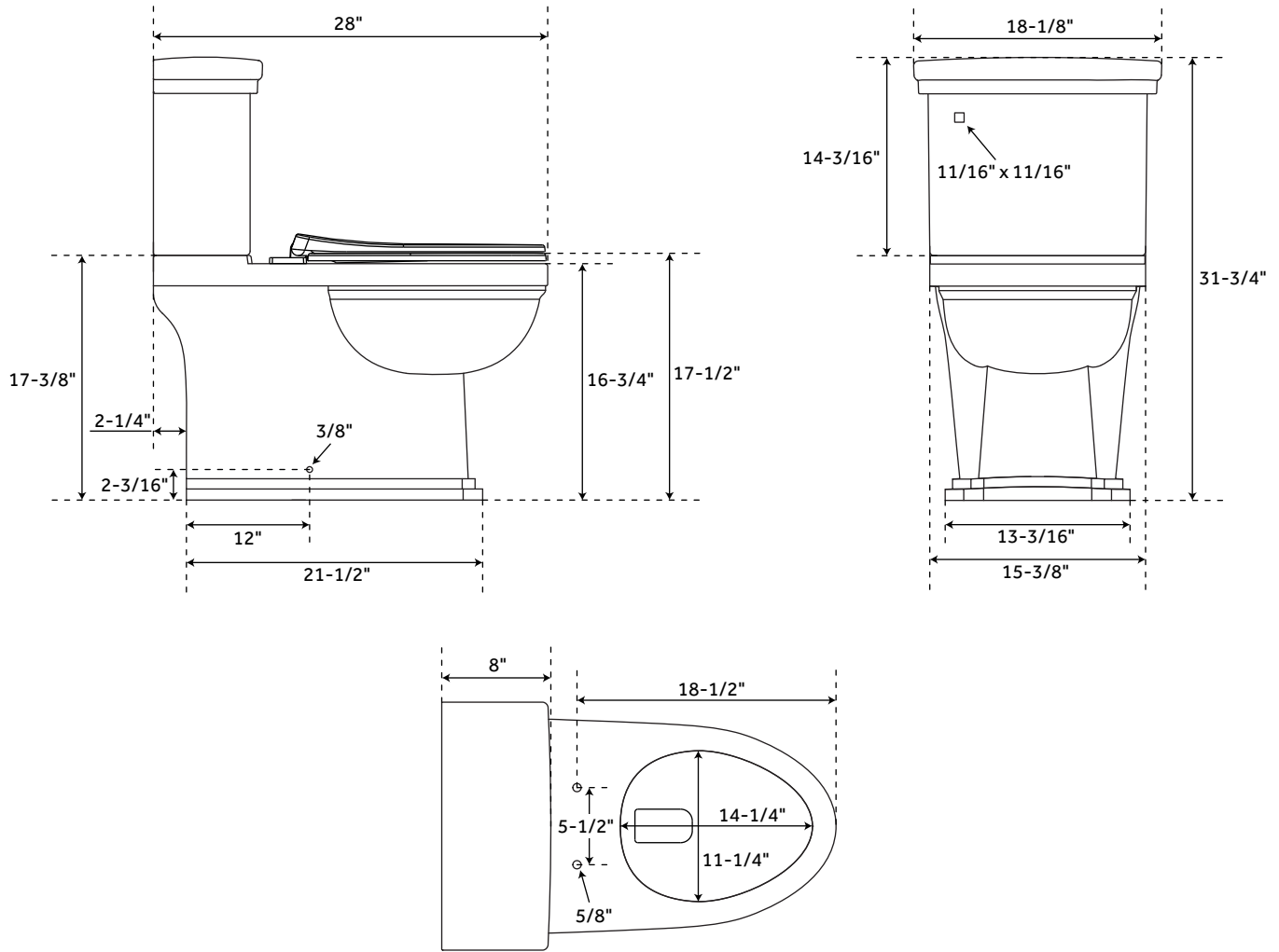
TOILET PAGE 2

REVISED 01/17/2020

KEY WEST

TWO-PIECE SKIRTED ELONGATED TOILET - ADA COMPLIANT - WHITE

SKU: 948434



FEATURES

Product Finish: White
 Material: Porcelain
 Bowl Shape: Elongated
 Rough In: 12"
 Features: ADA Compliant
 Length: 18-1/8"
 Width: 28"
 Height: 31-3/4"
 Bowl Height: 16-3/4"
 Gallons Per Flush: 1.28 (4.8 Lpf)
 Hardware Finish: Chrome
 Seat Included: Yes

CODES/STANDARDS

cUPC
 ASME A112.19.2/CSA B45.1
 ICC/ANSI A117.1 (when installed according to ADA standards)
 WaterSense
 CEC Listed
 CALGreen
 Massachusetts Accepted

SIGNATURE HARDWARE LIFETIME WARRANTY

See website for warranty information



All dimensions and specifications are nominal and may vary. Use actual products for accuracy in critical situations.

PAGE 2

CODE: SHKW240SWH/SHKW200WH