

# BRADENTON

## TWO-PIECE ELONGATED TOILET - ADA COMPLIANT

SKU: 948427



### FEATURES

- Material: Porcelain
- Bowl Shape: Elongated
- Visible Trapway
- Toilet Seat Included: Optional
- Toilet with a Standard Seat Meets ADA Requirements when Installed According to ADA Guidelines
- High Efficiency Toilet Uses 20% Less Water Than Standard Toilets
- Toilet is Compatible with Brookdale Bidet Seat
- Optional Standard Seat Features Soft-Close Mechanism
- Includes Polished Chrome Metal Flush Lever

### CONTENTS

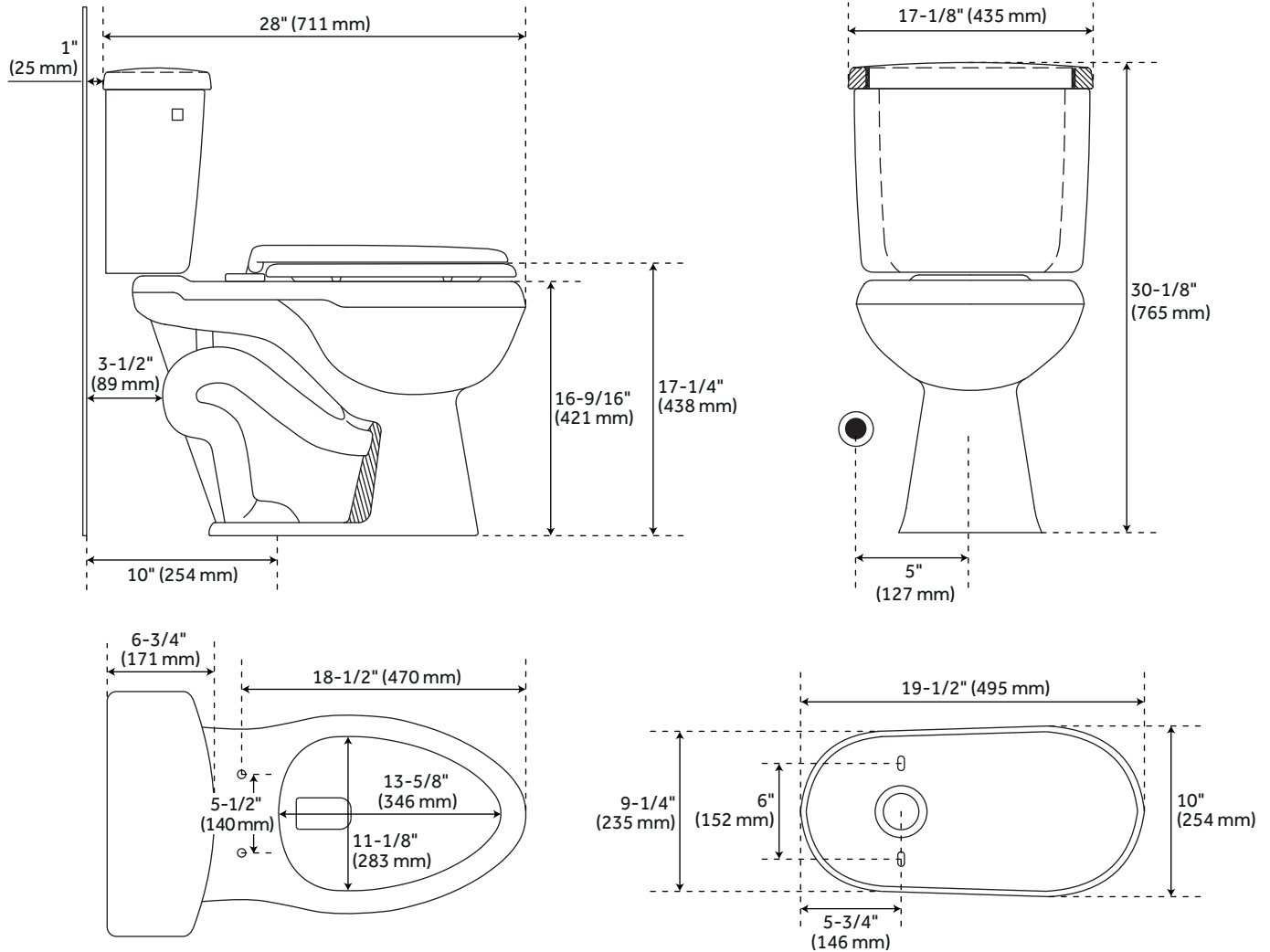
10" ROUGH-IN TOILET .....	PAGE 2
12" ROUGH-IN TOILET .....	PAGE 3
14" ROUGH-IN TOILET .....	PAGE 4
TOILET SEAT .....	PAGE 5

REVISED 08/06/2021

# BRADENTON

## TWO-PIECE ELONGATED TOILET - ADA COMPLIANT - 10" ROUGH-IN

SKU: 948427



### FEATURES

Rough In: 10"  
 Length: 17-1/8"  
 Width: 28"  
 Height: 30-1/8"  
 Bowl Height: 16-9/16"  
 Gallons Per Flush: 1.28

### CODES/STANDARDS

cUPC  
 ASME A112.19.2/CSA B45.1  
 ICC/ANSI A117.1 (when installed  
 according to ADA standards)  
 WaterSense  
 CEC Listed  
 Massachusetts Accepted

### PRODUCT IMAGE



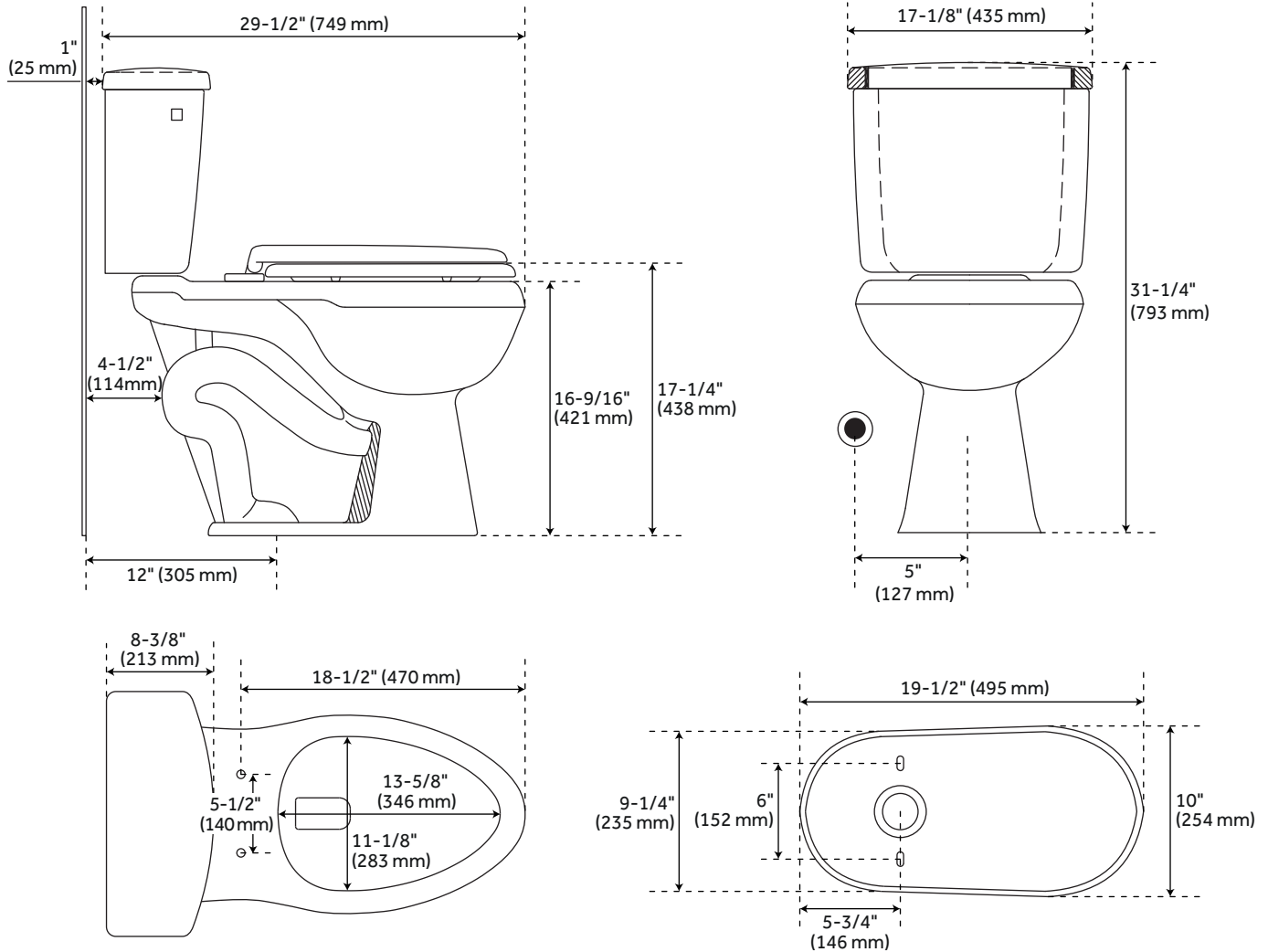
All dimensions and specifications are nominal and may vary. Use actual products for accuracy in critical situations.

PAGE 2  
 Code: SHBD240, SHBD210

# BRADENTON

## TWO-PIECE ELONGATED TOILET - ADA COMPLIANT - 12" ROUGH-IN

SKU: 948427



### FEATURES

Rough In: 12"  
Length: 17-1/8"  
Width: 29-1/2"  
Height: 30-1/4"  
Bowl Height: 16-9/16"  
Gallons Per Flush: 1.28

### CODES/STANDARDS

cUPC  
ASME A112.19.2/CSA B45.1  
ICC/ANSI A117.1 (when installed  
according to ADA standards)  
WaterSense  
CEC Listed  
Massachusetts Accepted

### PRODUCT IMAGE



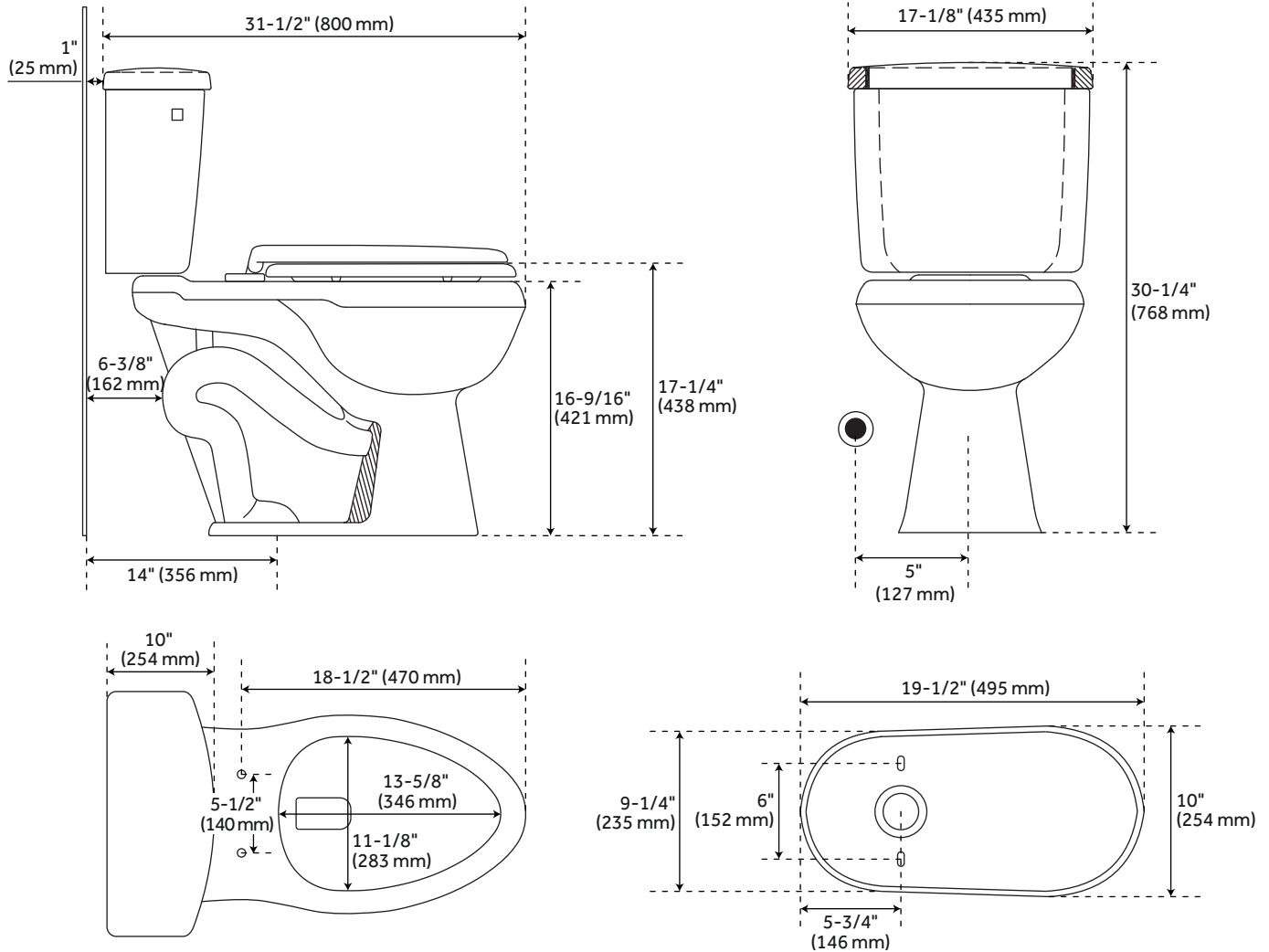
All dimensions and specifications are nominal and may vary. Use actual products for accuracy in critical situations.

PAGE 3  
Code: SHBD240, SHBD200, SHBD200RWH

# BRADENTON

## TWO-PIECE ELONGATED TOILET - ADA COMPLIANT - 14" ROUGH-IN

SKU: 948427



### FEATURES

- Rough In: 14"
- Length: 17-1/8"
- Width: 31-1/2"
- Height: 30-1/4"
- Bowl Height: 16-9/16"
- Gallons Per Flush: 1.28

### CODES/STANDARDS

- cUPC
- ASME A112.19.2/CSA B45.1
- ICC/ANSI A117.1 (when installed according to ADA standards)
- WaterSense
- CEC Listed
- Massachusetts Accepted

### PRODUCT IMAGE



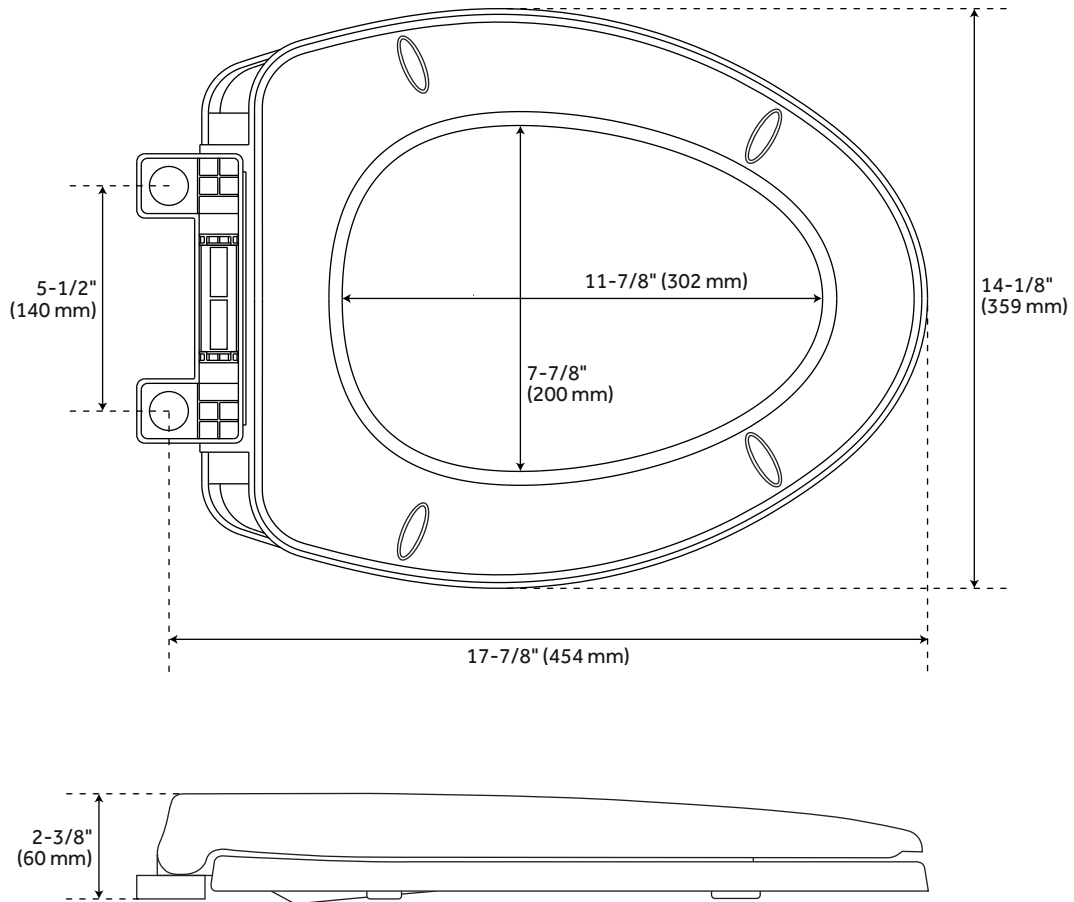
All dimensions and specifications are nominal and may vary. Use actual products for accuracy in critical situations.

PAGE 4  
Code: SHBD240, SHBD214

# TRADITIONAL

## OPTIONAL SLIM SLOW-CLOSING TOILET SEAT - ELONGATED BOWL

SKU: 447335



### FEATURES

Product Finish: White  
Bowl Shape: Elongated  
Length: 14-1/8"  
Width: 17-7/8"  
Height: 2-3/8"

### PRODUCT IMAGE



All dimensions and specifications are nominal and may vary. Use actual products for accuracy in critical situations.

PAGE 5  
Code: SHTSSC201