

AMBERLEY

SINGLE-HOLE PULL-DOWN KITCHEN FAUCET

SKU: 948399



FEATURES

Installation Type: Single-Hole
Faucet Holes: 1
Material: Brass
Faucet Centers: Single-Hole
Handle Type: Lever
Features: ADA Compliant, Pull-Down
Design: Traditional
Faucet Material: Brass
Swivel Spout: Yes
Ceramic Disc Cartridges: Yes
Maximum Flow Rate: 1.8 gpm (6.8L/min)
max @ 60 psi
Non-Kink Nylon Hose
Optional Deck Plate Included
3-Function Sprayer:
Stream, Full Spray and Pause
Diverts From Spray to Stream Without
Shutting Off Water

CONTENTS

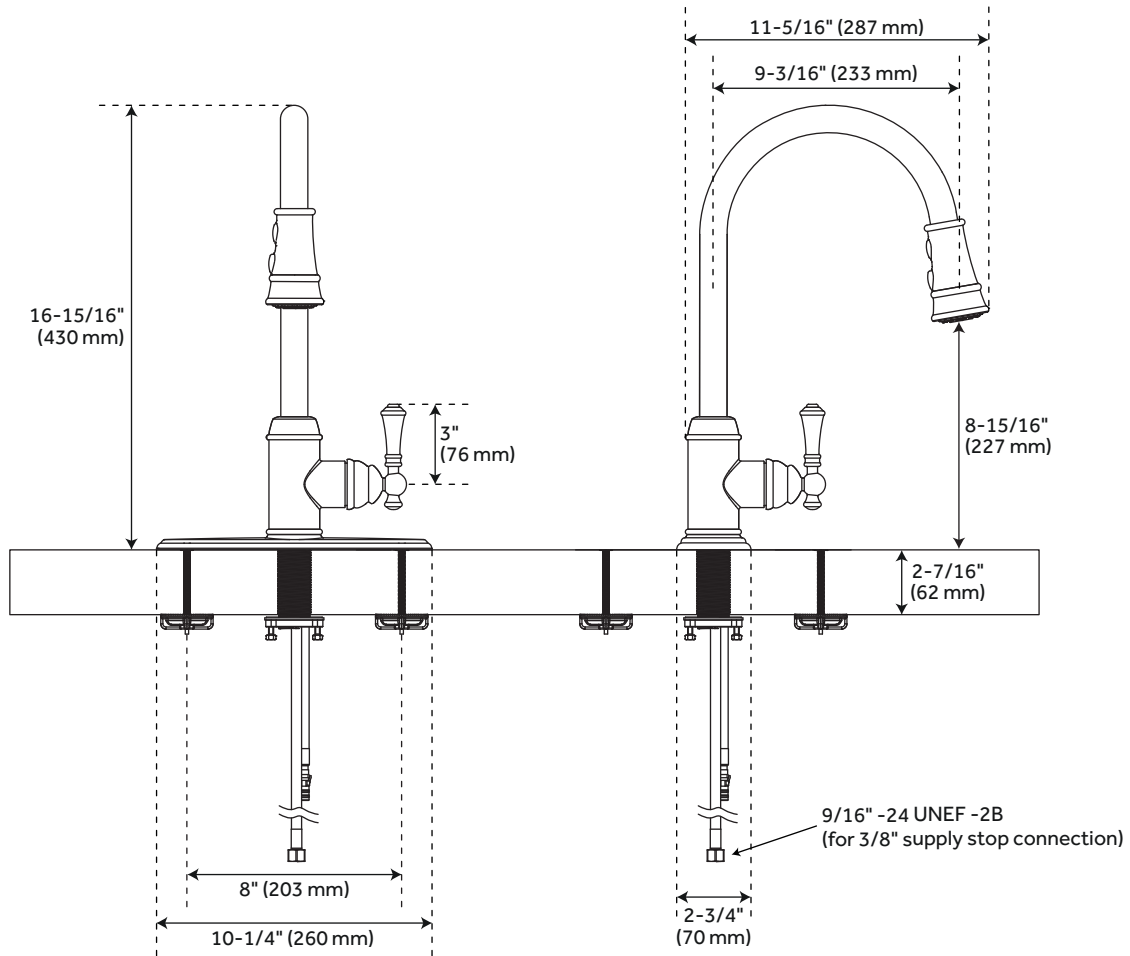
SINGLE-HOLE FAUCET PAGE 2

REVISED 08/12/2020

AMBERLEY

SINGLE-HOLE PULL-DOWN KITCHEN FAUCET

SKU: 948399



FEATURES

Length: 10-1/4"
Width: 11-5/16"
Height: 16-15/16"
Height To Spout: 8-15/16"
Spout Reach: 9-3/16"
Base Plate Length: 10-1/4"
Base Plate Width: 2-3/4"
Handle Length: 3"

CODES/STANDARDS

cUPC
ASME A112.18.1/CSA B125.1
NSF/ANSI 61
NSF/ANSI 372
ICC/ANSI A117.1 (when installed
according to ADA standards)
CEC Listed
CALGreen
Massachusetts Accepted

PRODUCT IMAGE



All dimensions and specifications are nominal and may vary. Use actual products for accuracy in critical situations.

PAGE 2
Code: SHXCAM101