

69" DESBOROUGH

ACRYLIC FREESTANDING DOUBLE-SLIPPER TUB - GOLD LEAF

SKU: 946777



CONTENTS

| | | |
|-------------|-------|--------|
| 69" TUB | | PAGE 2 |
| AIR TUB | | PAGE 3 |
| 69" AIR TUB | | PAGE 4 |

FEATURES

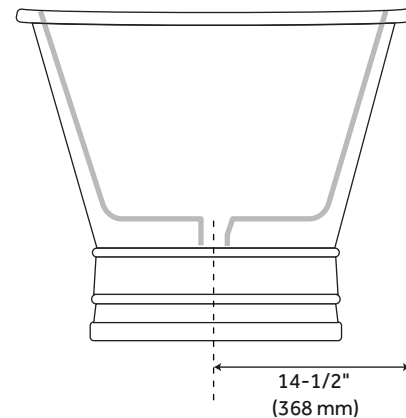
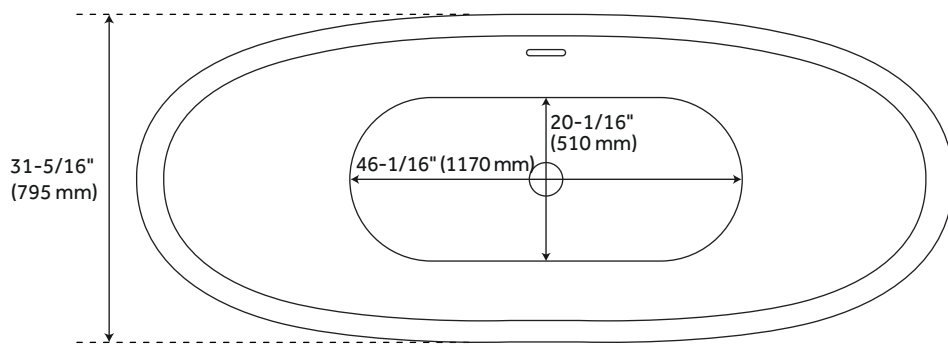
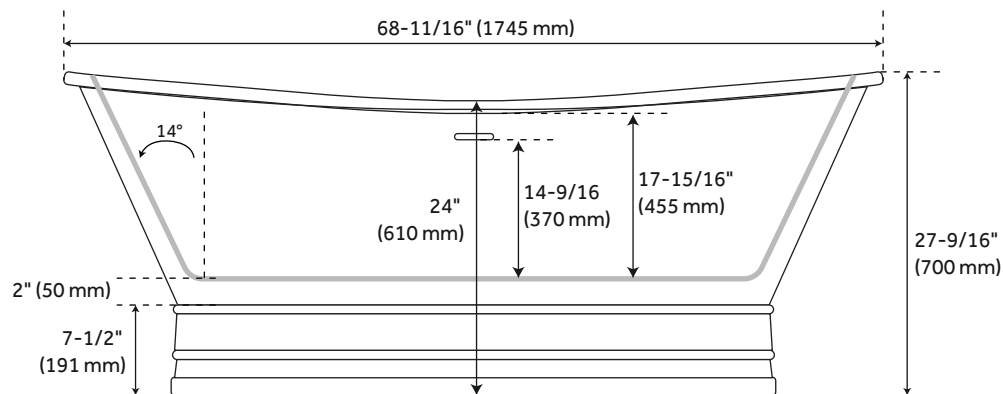
- Design: Glam
- Product Finish: Gold Leaf
- Features: Integral Drain & Overflow
- Overflow Hole: Yes
- Integral Drain & Overflow : Yes
- Shape: Oval
- Material: Acrylic
- Tap Deck: No
- Drain Included: Yes
- Faucet Included: No
- Faucet Drillings: No Drillings
- Built-In Adjusters: Yes
- Trim Kit Includes: Pop-Up Drain with Matching Drain Cover and Overflow Plate in your Choice of Color
- Formed of Two Acrylic Sheets, the Air Between Acting as Thermal Insulator
- Air Tub Option: Features 12 Air Jets That Massage and Relax
- Remote Control Works Within 15-foot Radius and is Designed to Float. Tub and Air System Come Fully Assembled
- Insulation Option: Increases Heat Retention and Prevents Condensation Due to Water and Air Temperature Fluctuations

REVISED 03/05/2021

69" DESBOROUGH

ACRYLIC FREESTANDING DOUBLE-SLIPPER TUB - GOLD LEAF

SKU: 946777



FEATURES

- Length: 68-11/16"
- Width: 31-5/16"
- Height: 27-9/16"
- Tub Interior Length: 46-1/16"
- Tub Interior Width: 20-1/16"
- Water Depth To Overflow: 14-9/16"
- Water Depth To Rim 17-15/16"
- Water Capacity Without Overflow (Gallons): 69
- Water Capacity With Overflow (Gallons): 61
- Tub Weight Uncrated (Lbs): 140
- Tub Weight Crated (Lbs): 222

PRODUCT IMAGE



All dimensions and specifications are nominal and may vary. Use actual products for accuracy in critical situations.

PAGE 2

69" DESBOROUGH AIR TUB

ACRYLIC FREESTANDING DOUBLE-SLIPPER TUB - GOLD LEAF

SKU: 946777

COMPONENTS LIST

- BM-TWP BALL CHECK VALVE JETS
- MANI-SD-A SECURITY DEVICE
- MAN-A-4-AC MANIFOLD
- SILVER SLS+ VARIABLE SPEED BLOWER

INSTALLATION

Install blower behind a wall (with an access panel) or in a closet. Blower can also be installed under floor. Ensure the security device, MANI-SD-A, is at least:

- 2" Above the tub rim

Security device and hose can be mounted in wall

REMOTE CONTROL

- CG+/RTC-SENSOR-WP
- 12 – 15 YEAR BATTERY LIFE

INSIDE OF BATH

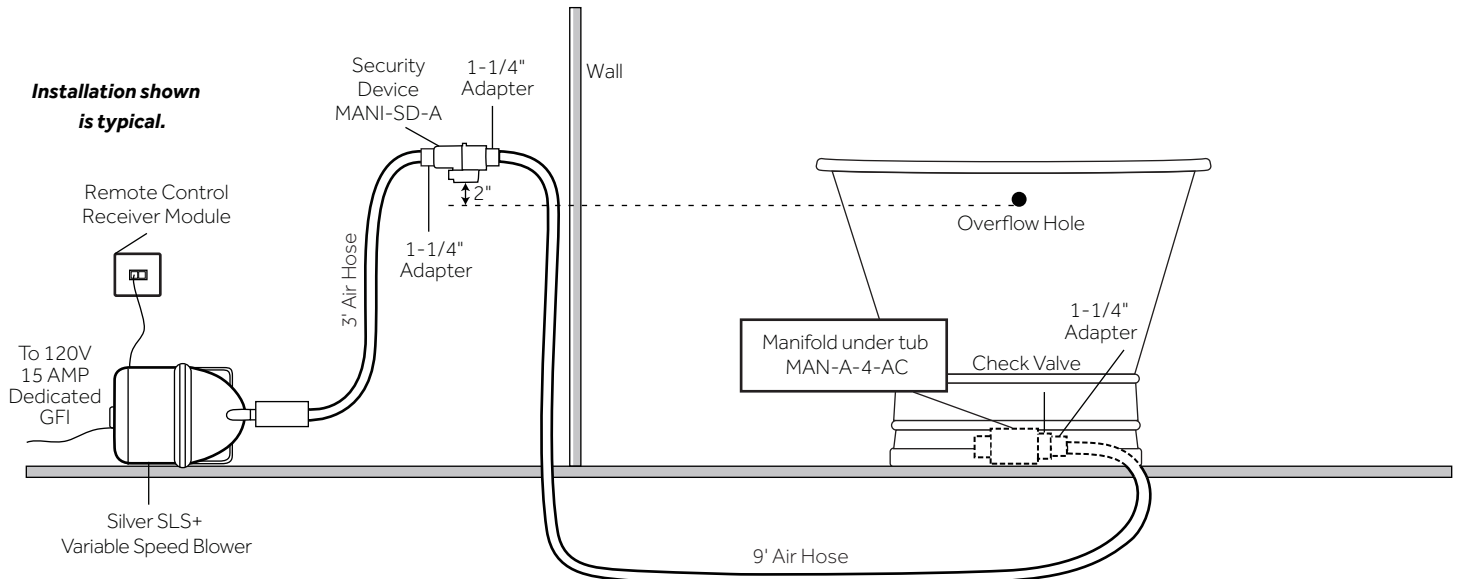
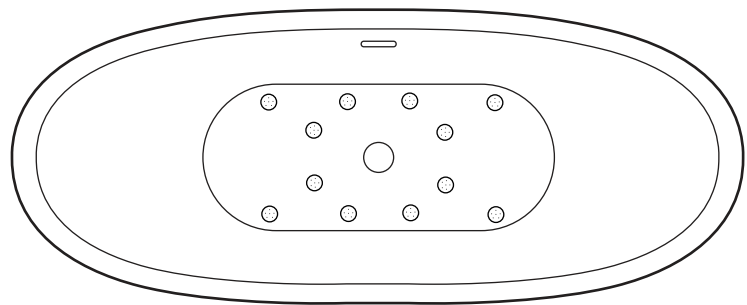
- (12) MAXI AIR JETS WITH 24 OPENINGS



ELBOWS FOR
AIR JETS



TEES FOR
AIR JETS



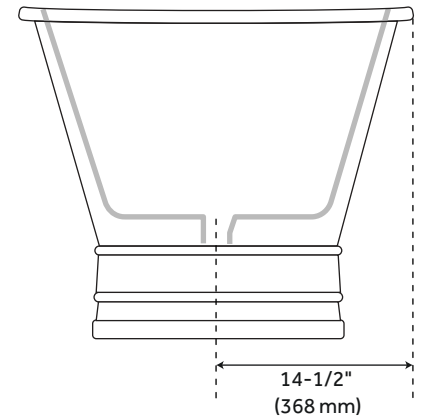
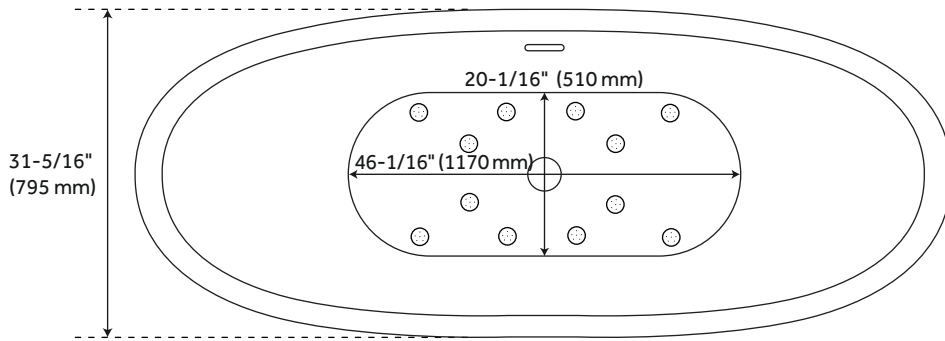
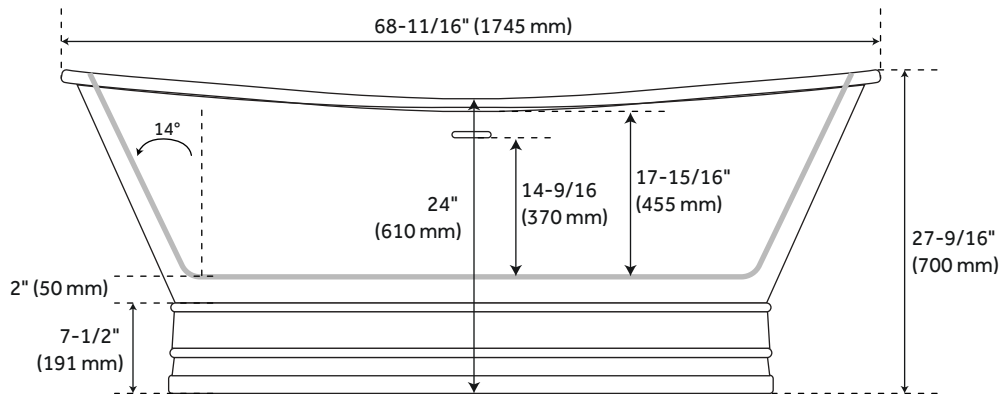
All dimensions and specifications are nominal and may vary. Use actual products for accuracy in critical situations.

PAGE 3

69" DESBOROUGH AIR TUB

ACRYLIC FREESTANDING DOUBLE-SLIPPER TUB - GOLD LEAF

SKU: 946777



FEATURES

- Length: 68-11/16"
- Width: 31-5/16"
- Height: 27-9/16"
- Tub Interior Length: 46-1/16"
- Tub Interior Width: 20-1/16"
- Water Depth To Overflow: 14-9/16"
- Water Depth To Rim 17-15/16"
- Water Capacity Without Overflow (Gallons): 69
- Water Capacity With Overflow (Gallons): 61
- Tub Weight Uncrated (Lbs): 180
- Tub Weight Crated (Lbs): 270

PRODUCT IMAGE



All dimensions and specifications are nominal and may vary. Use actual products for accuracy in critical situations.

PAGE 4