

# 33" ATLAS

60/40 OFFSET DOUBLE-BOWL STAINLESS STEEL FARMHOUSE SINK - MATTE GOLD

SKU: 944658



## FEATURES

Material: Stainless Steel  
Basin Split: 60/40  
Apron Design: Curved  
Faucet Centers: No Faucet Hole  
Number of Basins: 2  
Product Color: Matte Gold  
Metal Gauge/Thickness: 16 Gauge  
Faucet Included: No  
Drain Included: Optional  
Sink Installation: Farmhouse  
Sound Insulation Coating/Pads on Sides and Bottom  
Rear Drain Location

## CONTENTS

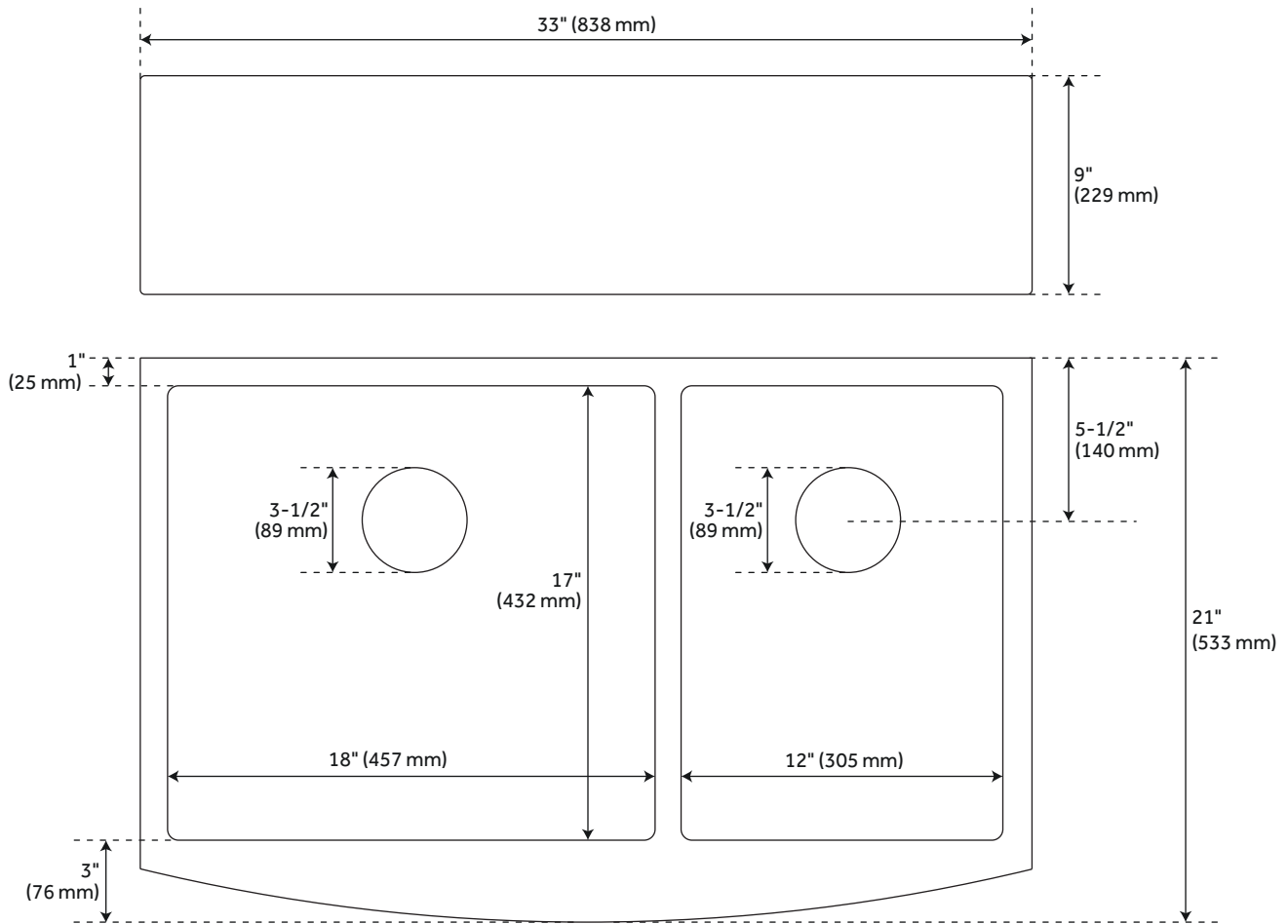
33" ATLAS ..... PAGE 2  
SINK GRID ..... PAGE 3

REVISED 03/15/2021

# 33" ATLAS

## 60/40 OFFSET DOUBLE-BOWL STAINLESS STEEL FARMHOUSE SINK - MATTE GOLD

SKU: 944658



### FEATURES

Length: 33"  
Width: 21"  
Height: 9"  
Large Bowl Length: 18"  
Large Bowl Width: 17"  
Small Bowl Length: 12"  
Small Bowl Width: 17"  
Water Depth To Rim: 8-5/8"  
Apron Front Rim Thickness: 3"  
Side And Back Rim Thickness: 1"  
Drain Size: 3-1/2"

### CODES/STANDARDS

cUPC  
ASME A112.19.3/CSA B45.4  
Massachusetts Accepted

### PRODUCT IMAGE



PAGE 2

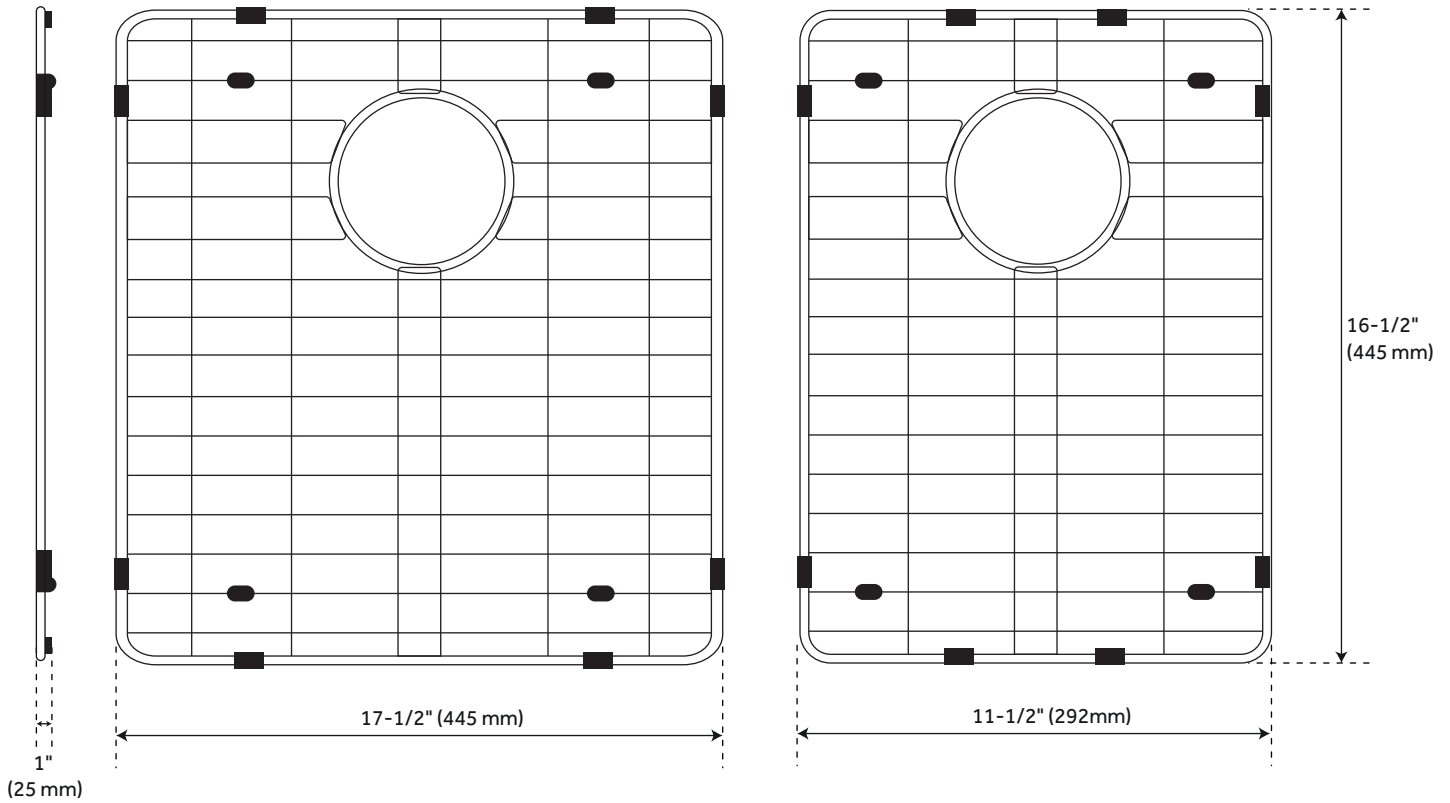
All dimensions and specifications are nominal and may vary. Use actual products for accuracy in critical situations.

Code: 514417

# ATLAS

## DOUBLE BOWL SINK GRIDS

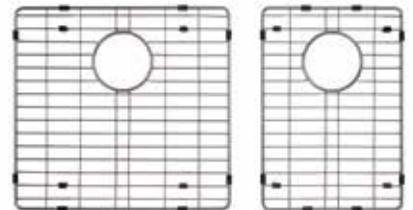
SKU: 951153



### FEATURES

- Lg Length: 17-1/2"
- Lg Width: 16-1/2"
- Sm Length: 11-1/2"
- Sm Width: 16-1/2"
- Height: 1"
- Fits Drain Size: 3-1/2"

### PRODUCT IMAGE



All dimensions and specifications are nominal and may vary. Use actual products for accuracy in critical situations.