

THAINE

70" ANTIQUE BLACK COPPER DOUBLE-SLIPPER PEDESTAL TUB

SKU: 939785-70



FEATURES

- Tub has visible interior seams.
- Straight plinth with rolled bottom.
- Chemically applied patina, so color is ingrained in the copper.
- Copper tubs are handmade and therefore unique.
 - Expect slight variations in finish and dimensions.
- Requires wall or floor-mount tub filler.
- To keep the tub in premium condition, it is recommended to not use anything abrasive for bathing or cleaning, including products like Epsom salts, bristle brushes, and harsh soaps.
- Overflow includes Extended Pop-Up Drain with Swivel Head.
 - A Standard overflow, which remain open to allow water into the drain.
- Tub Drain Placement: Offset
- Exterior Treatment: Smooth
- Interior Treatment: Polished
- Tap Deck: No
- Drain Included: Optional

CONTENTS

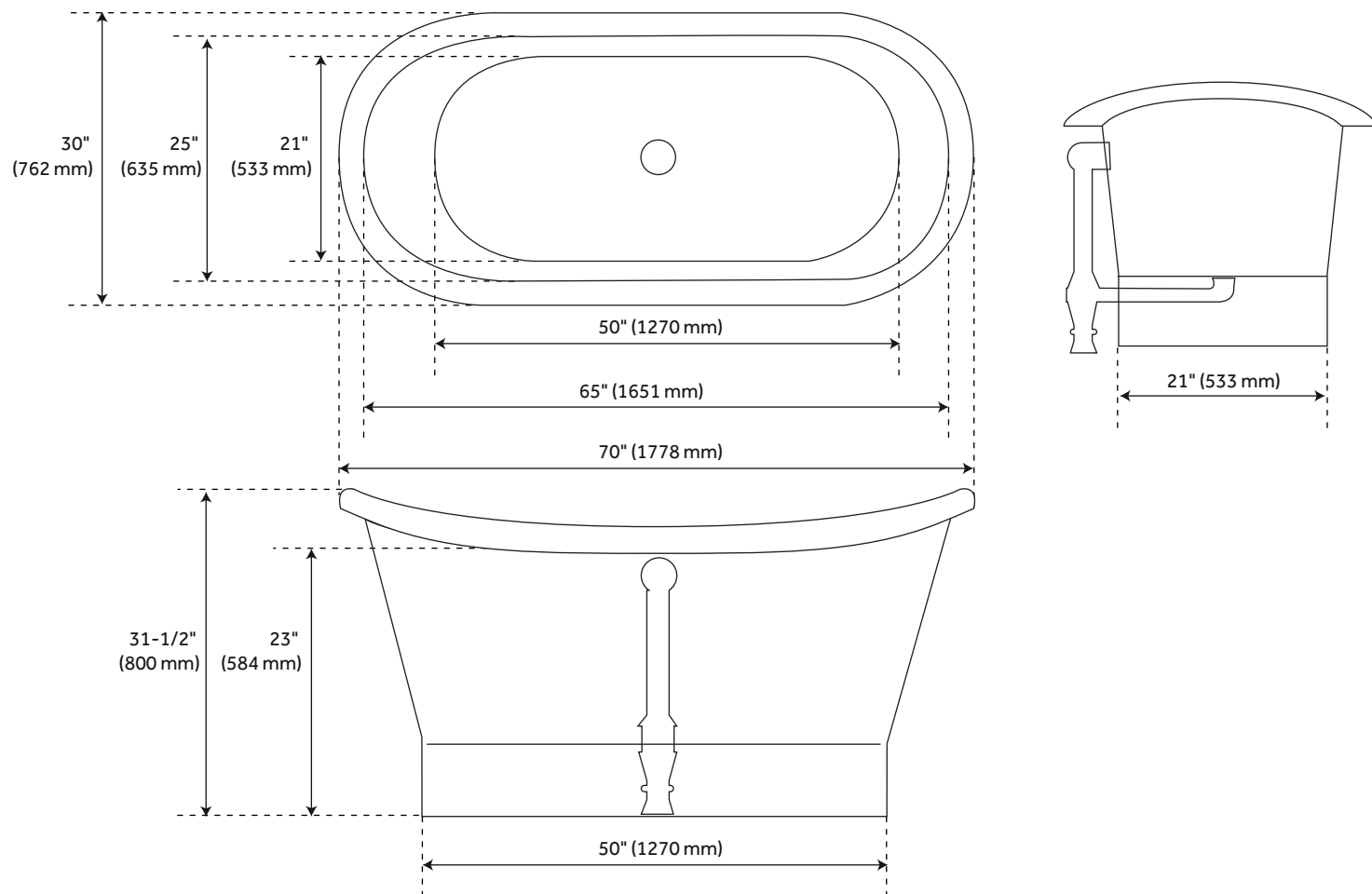
TUB PAGE 2

REVISED 06/30/2021

THAINE

70" ANTIQUE BLACK COPPER DOUBLE-SLIPPER PEDESTAL TUB

SKU: 939785-70



FEATURES

- Length: 70"
- Width: 30"
- Height: 31-1/2"
- Interior Length: 65"
- Interior Width: 25"
- Water Capacity with Overflow: 58 Gal.
- Tub Weight Crated: 237
- Tub Weight Uncratted: 96 Lbs.

PRODUCT IMAGE



All dimensions and specifications are nominal and may vary. Use actual products for accuracy in critical situations.

PAGE 2