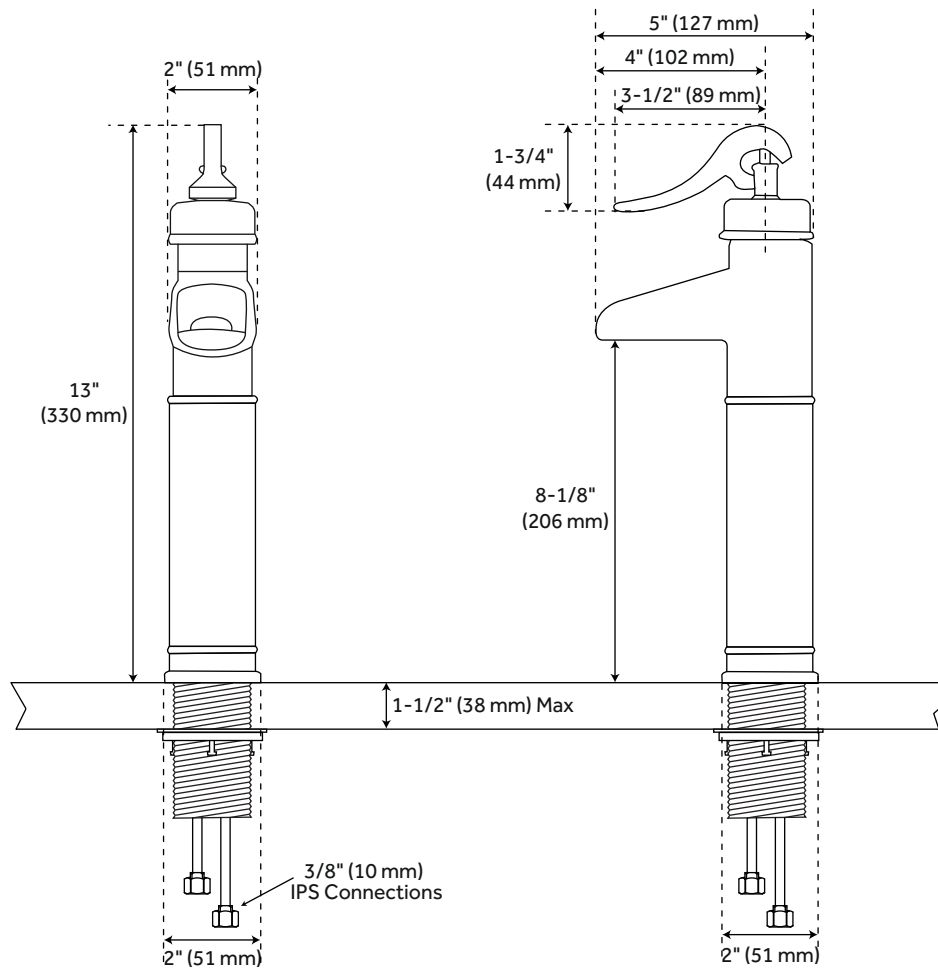


MELTON

SINGLE-HOLE WATERFALL VESSEL FAUCET

SKU: 938541



FEATURES

Max. Countertop Thickness: 1-1/2"
Length: 2"
Width: 5"
Height: 13"
Height To Spout: 8-1/8"
Spout Reach: 4"
Base Plate Length: 2"
Base Plate Width: 2"
Handle Length: 3-1/2"
Height to Bottom of Handle: 1-3/4"
Ceramic Disc Cartridges: Yes
Hot and Cold Indicators: No
IPS: 1/2"
Drain Included: Yes
Overflow Hole: Yes
Maximum Flow Rate: 1.2 gpm
(gallons per minute)

CODES/STANDARDS

cUPC
NSF/ANSI 61
ASME A112.18.1/CSA B125.1
CEC Listed
NSF/ANSI 372

SIGNATURE HARDWARE LIFETIME WARRANTY

See website for warranty information



All dimensions and specifications are nominal and may vary. Use actual products for accuracy in critical situations.

REVISED 02/21/2020