

SHEBA

RESIN FREESTANDING DOUBLE SLIPPER TUB - MATTE FINISH

SKU: 937806



FEATURES

- Design: Modern
- Product Finish: White
- Features: Integral Drain & Overflow
- Overflow Hole: Yes
- Integral Drain & Overflow : Yes
- Shape: Oval
- Material: Resin
- Tap Deck: No
- Drain Included: Yes
- Drain Finish: White Powder Coat
- Drain Placement: Center
- Faucet Included: No
- Faucet Drillings: No Drillings
- Air Tub Option: Features 12 Air Jets That Massage and Relax
- Remote Control Works Within 15-Foot Radius and is Designed to Float
- Tub and Air System Come Fully Assembled
- Tub Includes Both Chrome and Matching Resin Pop-Up Drain Caps
- Optional Quick Connect Drop-In Drain Kit Includes:
 - Floor Plate, 1-1/2" PVC Pipe, 2" x 1-1/2" Trap Adapters, 1 Brass Threaded, 1 Brass Unthreaded Tailpiece and Plug
- Installs Above Your Subfloor, But Underneath Your Cement Floor or Tile, So You Do Not Need Access Below the Fixture

CONTENTS

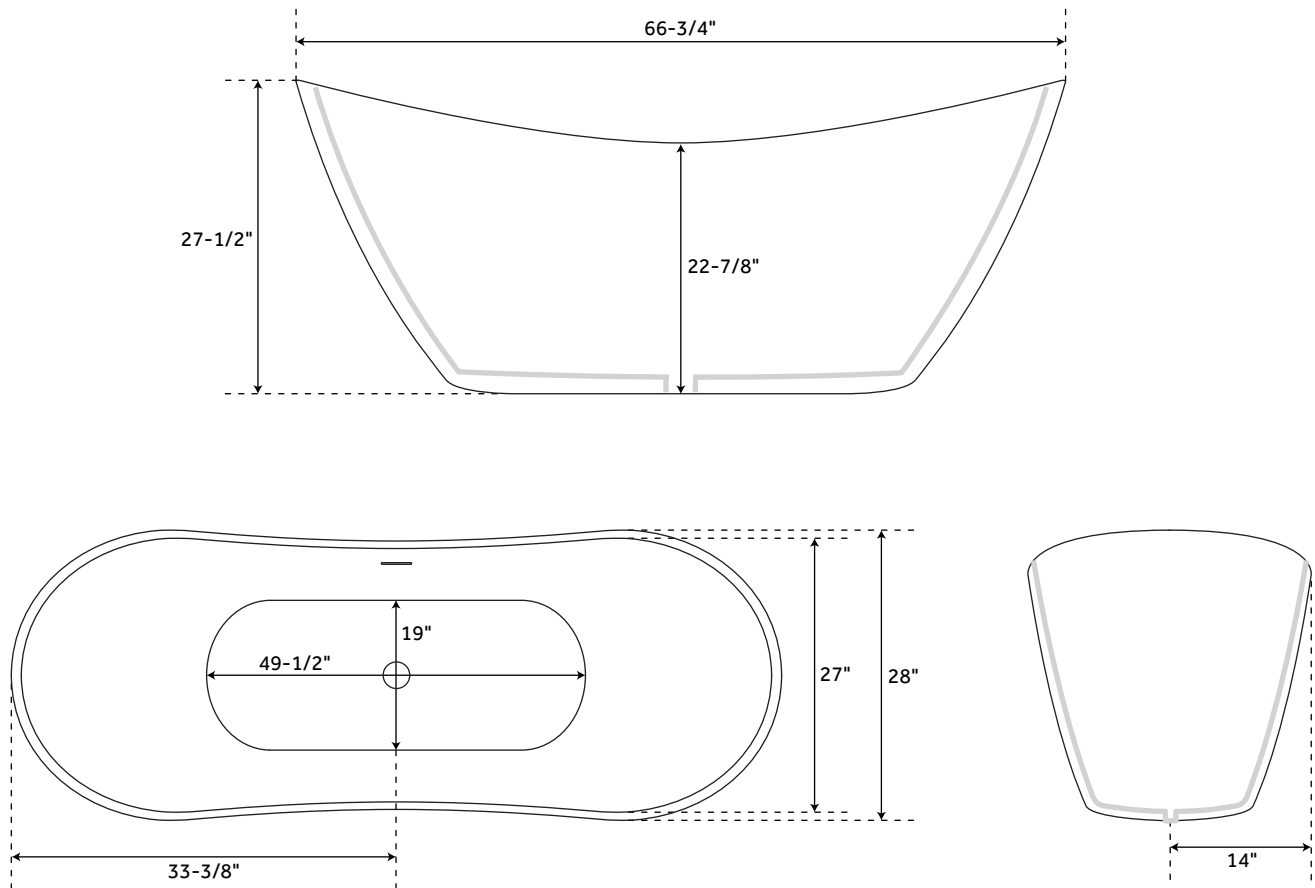
| | | |
|-------------|-------|--------|
| 67" TUB | | PAGE 2 |
| 72" TUB | | PAGE 3 |
| AIR TUB | | PAGE 4 |
| 67" AIR TUB | | PAGE 5 |
| 72" AIR TUB | | PAGE 6 |

REVISED 04/14/2020

67" SHEBA

RESIN FREESTANDING DOUBLE SLIPPER TUB - MATTE FINISH

SKU: 937806



FEATURES

- Length: 66-3/4"
- Width: 28"
- Height: 27-1/2"
- Tub Interior Length: 49-1/2"
- Tub Interior Width: 19"
- Rim Thickness: 1-3/8"
- Water Depth to Overflow: 14-1/2"
- Water Capacity With Integral Overflow (Gallons): 59
- Tub Weight Uncrated (lbs): 330
- Tub Weight Crated (lbs): 400

PRODUCT IMAGE



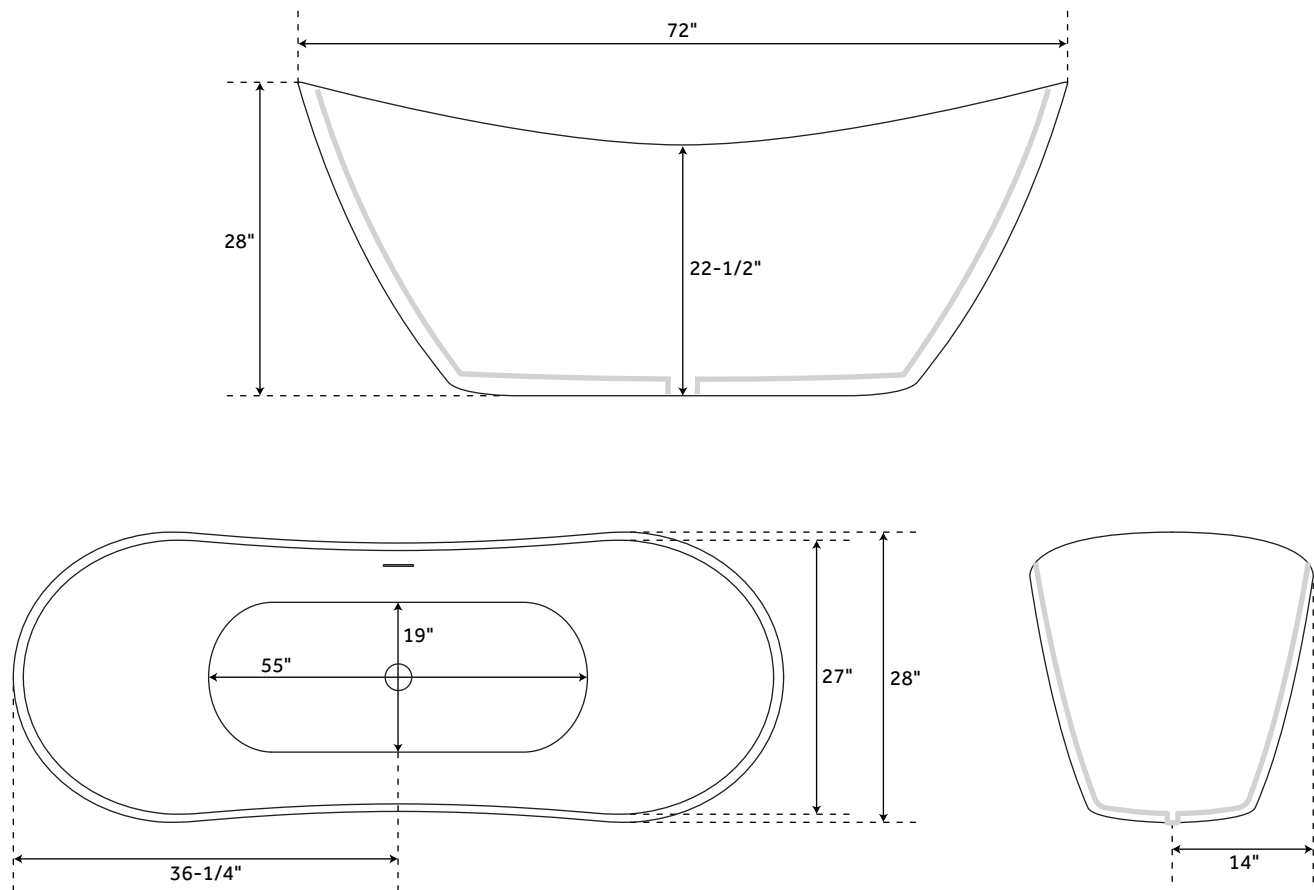
All dimensions and specifications are nominal and may vary. Use actual products for accuracy in critical situations.

PAGE 2

72" SHEBA

RESIN FREESTANDING DOUBLE SLIPPER TUB - MATTE FINISH

SKU: 937806



FEATURES

- Length: 72"
- Width: 28"
- Height: 28"
- Tub Interior Length: 55"
- Tub Interior Width: 19"
- Rim Thickness: 1-3/8"
- Water Depth to Overflow: 15-7/8"
- Water Capacity With Integral Overflow (Gallons): 65
- Tub Weight Uncrated (lbs): 347
- Tub Weight Crated (lbs): 547

PRODUCT IMAGE



All dimensions and specifications are nominal and may vary. Use actual products for accuracy in critical situations.

PAGE 3

SHEBA AIR TUB

ACRYLIC FREESTANDING TUB

SKU: 925340

COMPONENTS LIST

- BM-TWP BALL CHECK VALVE JETS
- MANI-SD-A SECURITY DEVICE
- MAN-A-4-AC MANIFOLD
- SILVER SLS+ VARIABLE SPEED BLOWER

INSTALLATION

Install blower behind a wall (with an access panel) or in a closet. Blower can also be installed under floor. Ensure the security device, MANI-SD-A, is at least:

- 2" Above the tub rim

Security device and hose can be mounted in wall

REMOTE CONTROL

- CG+/RTC-SENSOR-WP
- 12 – 15 YEAR BATTERY LIFE

INSIDE OF BATH

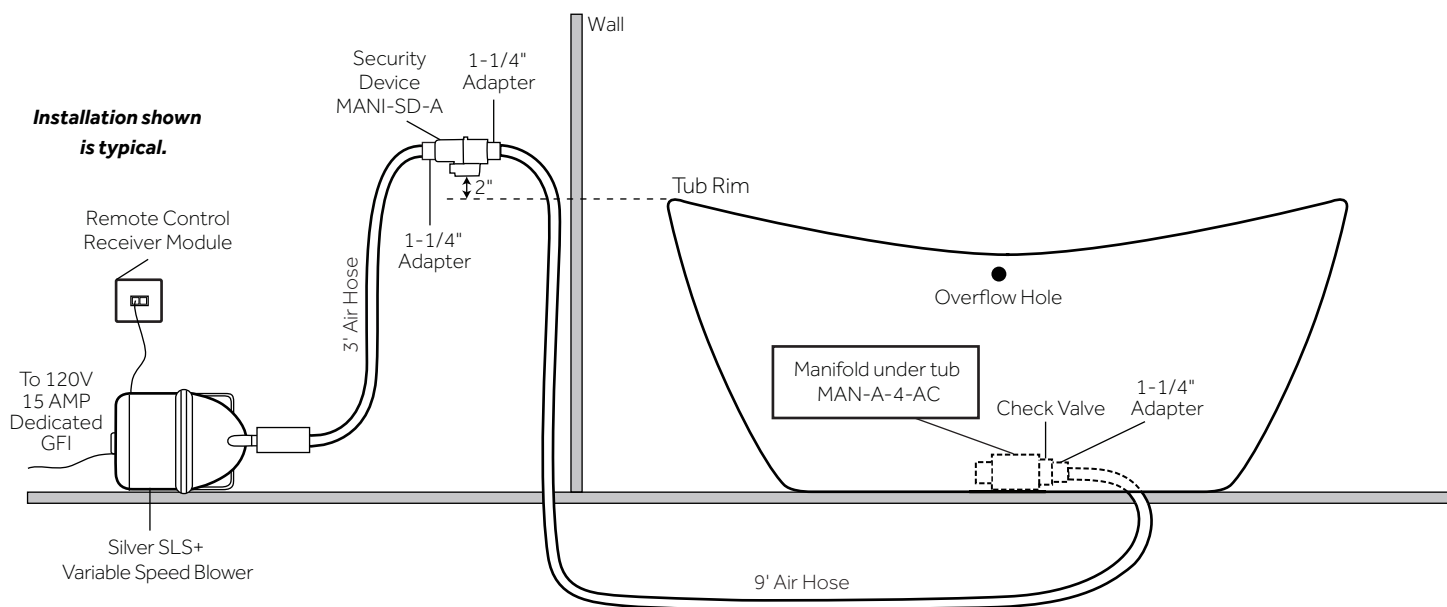
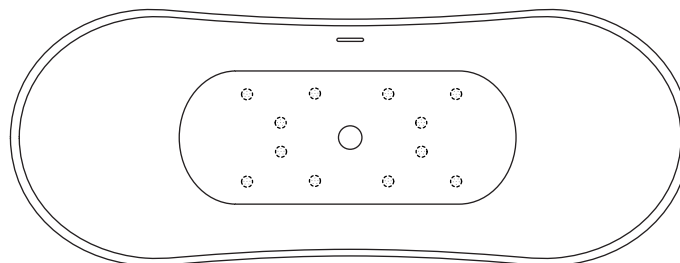
- (12) MAXI AIR JETS WITH 24 OPENINGS



ELBOWS FOR AIR JETS



TEES FOR AIR JETS



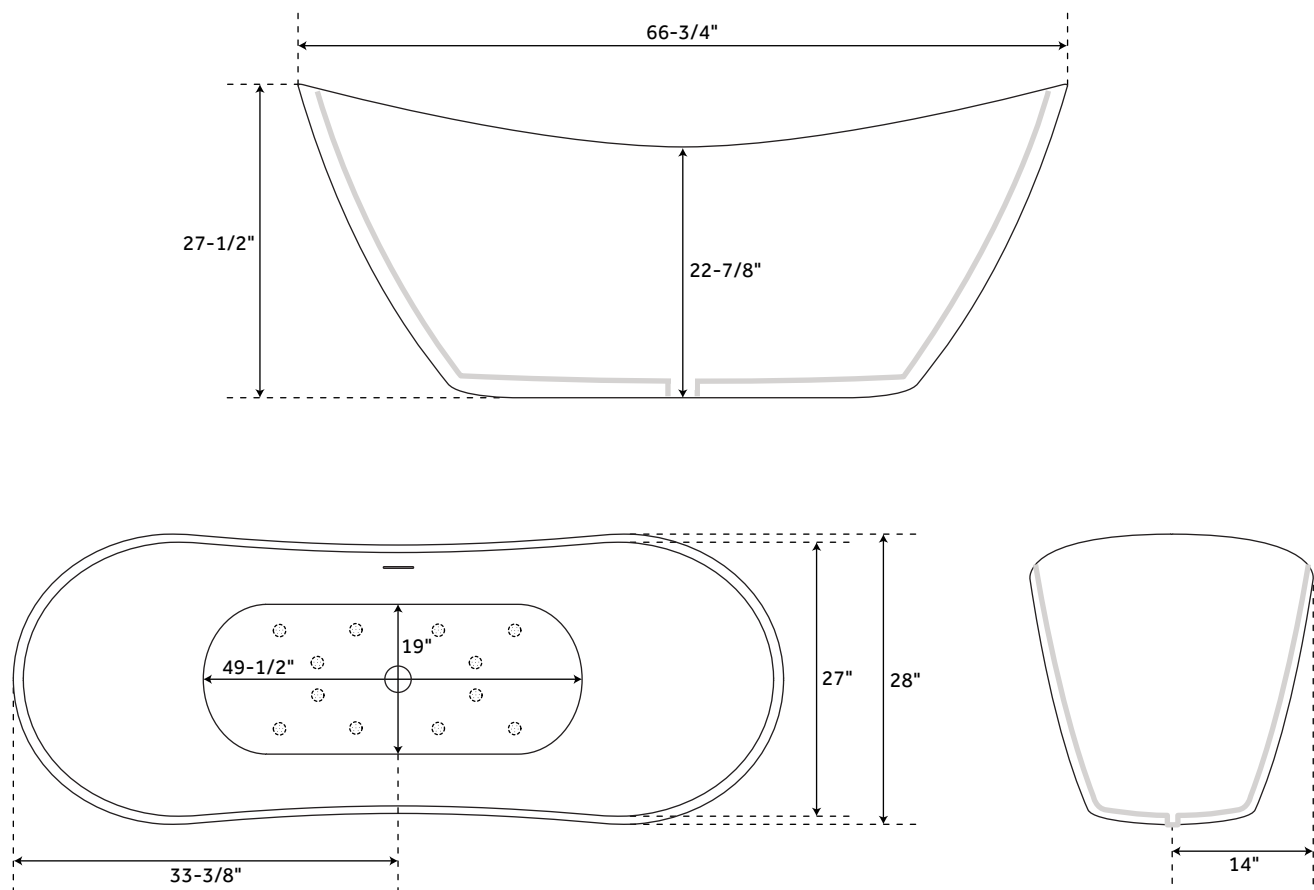
All dimensions and specifications are nominal and may vary. Use actual products for accuracy in critical situations.

PAGE 4

67" SHEBA AIR TUB

RESIN FREESTANDING DOUBLE SLIPPER TUB - MATTE FINISH

SKU: 937806



FEATURES

- Length: 66-3/4"
- Width: 28"
- Height: 27-1/2"
- Tub Interior Length: 49-1/2"
- Tub Interior Width: 19"
- Rim Thickness: 1-3/8"
- Water Depth to Overflow: 14-1/2"
- Water Capacity With Integral Overflow (Gallons): 59
- Tub Weight Uncrated (lbs): 330
- Tub Weight Crated (lbs): 400

PRODUCT IMAGE



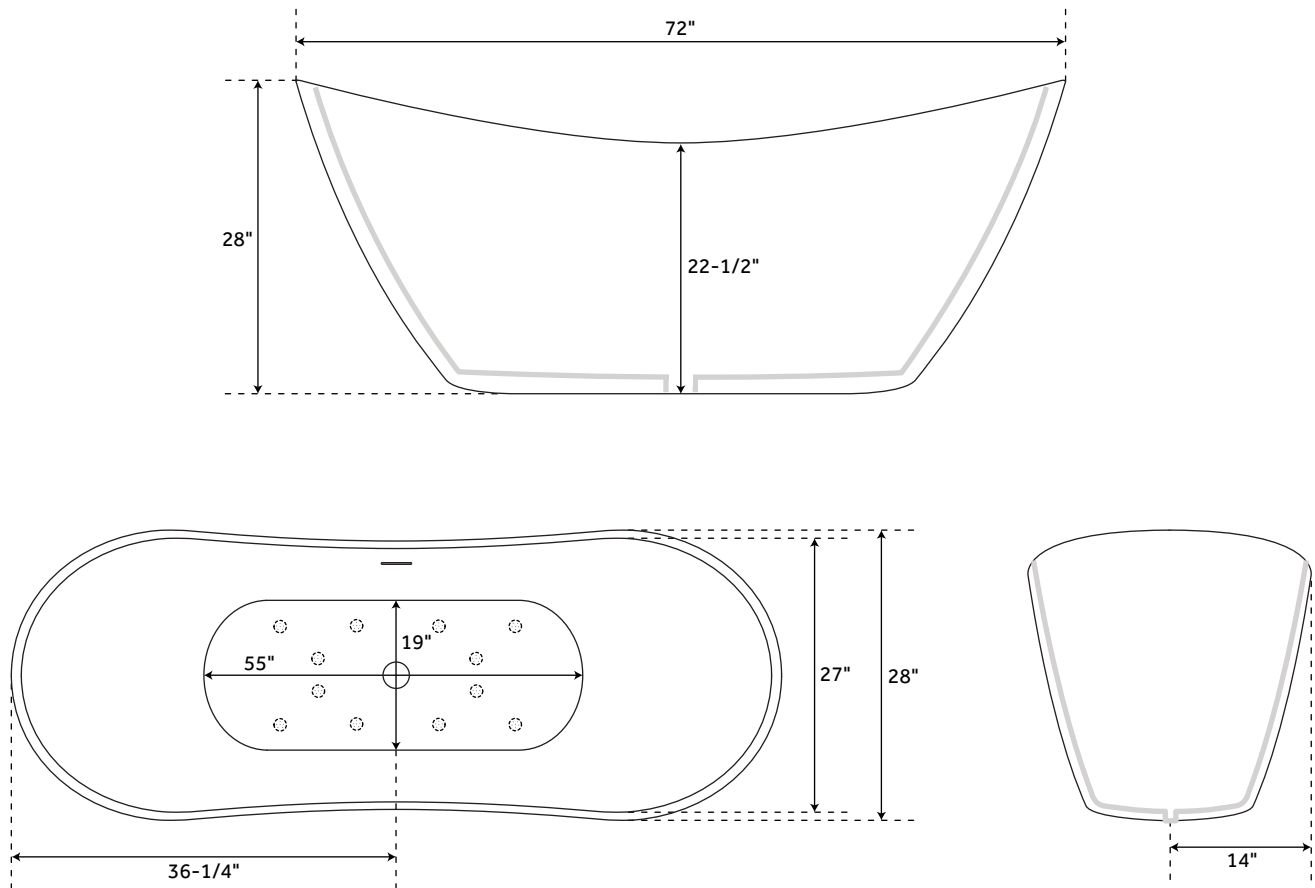
All dimensions and specifications are nominal and may vary. Use actual products for accuracy in critical situations.

PAGE 5

72" SHEBA AIR TUB

RESIN FREESTANDING DOUBLE SLIPPER TUB - MATTE FINISH

SKU: 937806



FEATURES

- Length: 72"
- Width: 28"
- Height: 28"
- Tub Interior Length: 55"
- Tub Interior Width: 19"
- Rim Thickness: 1-3/8"
- Water Depth to Overflow: 15-7/8"
- Water Capacity With Integral Overflow (Gallons): 65
- Tub Weight Uncrated (lbs): 347
- Tub Weight Crated (lbs): 547

PRODUCT IMAGE



All dimensions and specifications are nominal and may vary. Use actual products for accuracy in critical situations.

PAGE 6