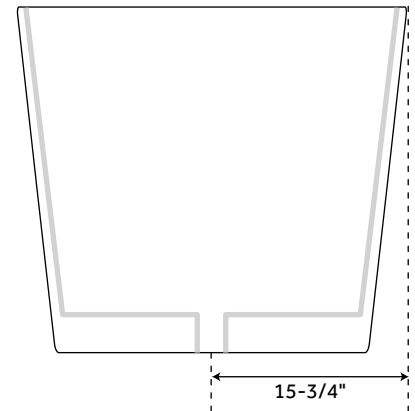
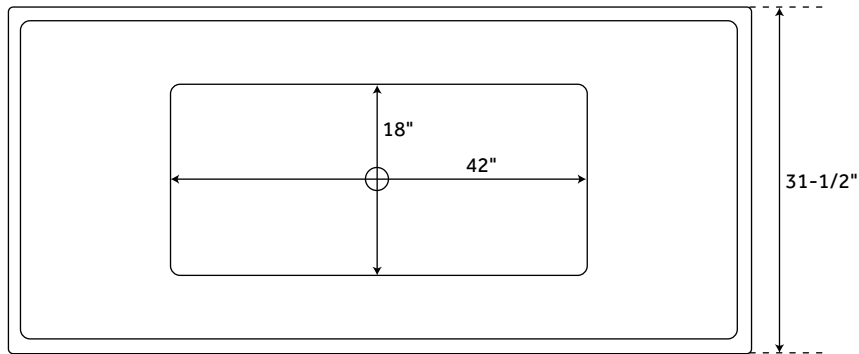
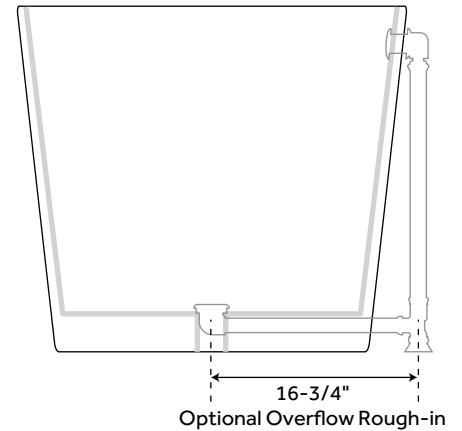
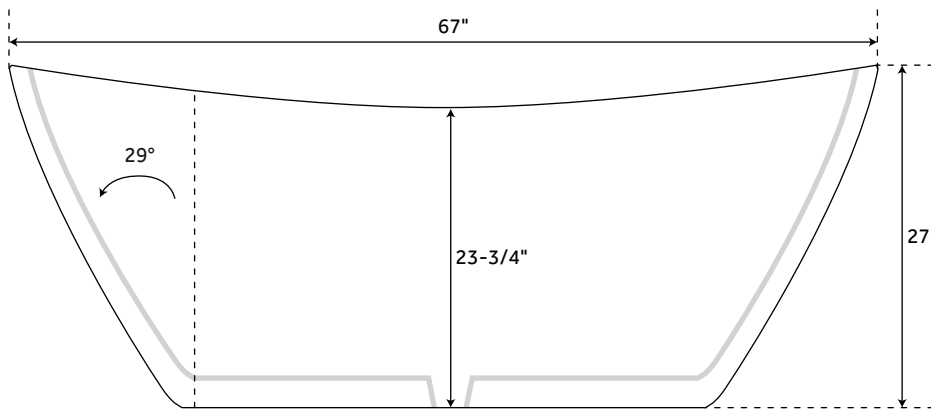


67" RENLO

ACRYLIC FREESTANDING TUB

SKU: 930342



FEATURES

Design: Modern
Product Finish: White
Overflow Hole: Optional
Shape: Rectangle
Material: Acrylic
Tap Deck: No
Drain Included: Optional
Drain Placement: Center
Faucet Included: No
Faucet Drillings: No Drillings
Built-In Adjusters: Yes
Length: 67"
Width: 31-1/2"
Height: 27"
Water Capacity Without/With Overflow
(Gallons): 60/47
Water Depth Without/With Overflow:
18-3/8"/14-3/8"
Tub Weight Uncrated (lbs.): 150
Tub Weight Crated (lbs.): 260

CODES/STANDARDS

cUPC
CSA B45.5/IAPMO Z124



SIGNATURE HARDWARE LIFETIME WARRANTY

See website for warranty information



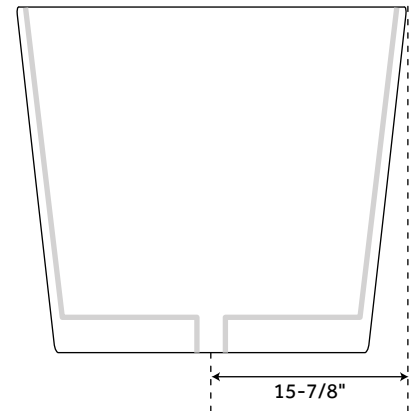
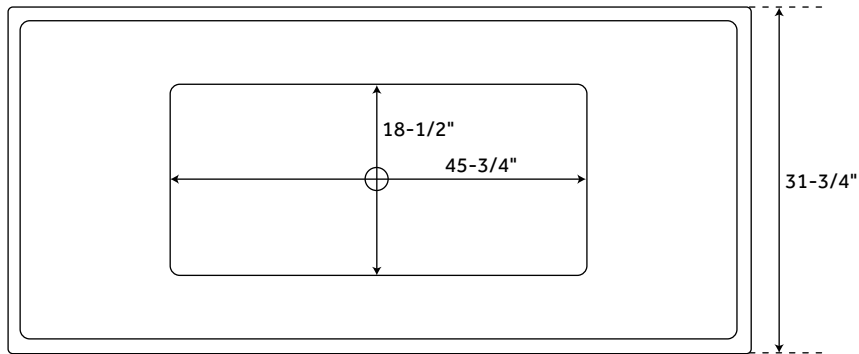
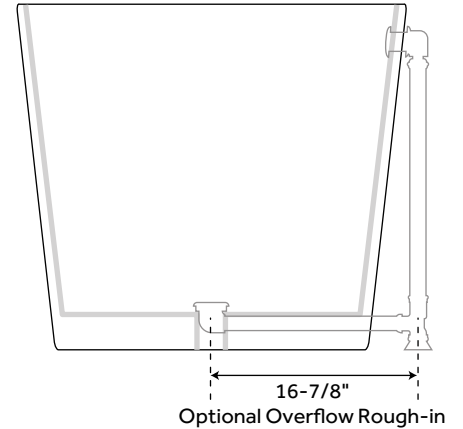
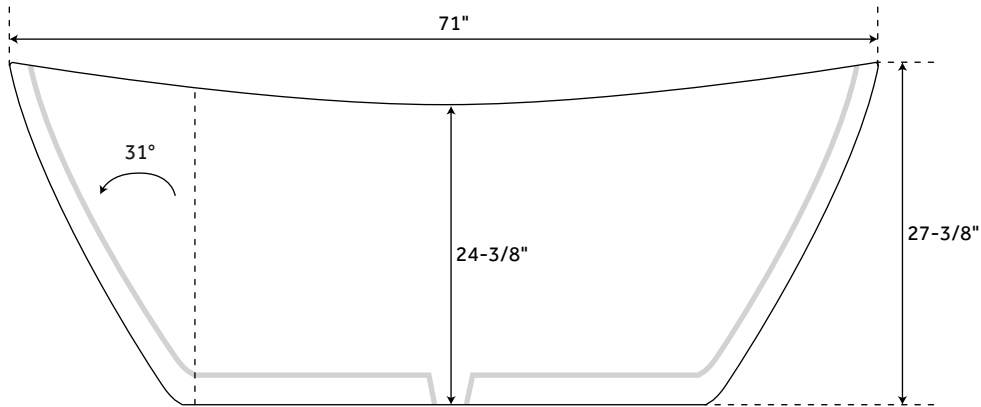
All dimensions and specifications are nominal and may vary. Use actual products for accuracy in critical situations.

REVISED 11/13/2019

71" RENLO

ACRYLIC FREESTANDING TUB

SKU: 930342



FEATURES

Design: Modern
Product Finish: White
Overflow Hole: Optional
Shape: Rectangle
Material: Acrylic
Tap Deck: No
Drain Included: Optional
Drain Placement: Center
Faucet Included: No
Faucet Drillings: No Drillings
Built-In Adjusters: Yes
Length: 71"
Width: 31-3/4"
Height: 27-3/8"
Water Capacity Without/With Overflow
(Gallons): 67/53
Water Depth Without/With Overflow:
18-1/4"/14-1/4"
Tub Weight Uncrated (lbs.): 179
Tub Weight Crated (lbs.): 289

CODES/STANDARDS

cUPC
CSA B45.5/IAPMO Z124



SIGNATURE HARDWARE LIFETIME WARRANTY

See website for warranty information



All dimensions and specifications are nominal and may vary. Use actual products for accuracy in critical situations.

REVISED 11/13/2019