

RENLO

ACRYLIC FREESTANDING TUB

SKU: 930342



FEATURES

Design: Modern
Product Finish: White
Overflow Hole: Optional
Shape: Rectangle
Material: Acrylic
Tap Deck: No
Drain Included: Optional
Drain Placement: Center
Faucet Included: No
Faucet Drillings: No Drillings
Built-In Adjusters: Yes

SIGNATURE HARDWARE Lifetime Warranty

See website for detailed warranty information.

CONTENTS

AIR TUB	PAGE 2
67" TUB	PAGE 3
71" TUB	PAGE 4

REVISED 10/10/2019

RENLO AIR TUB

COMPONENTS LIST

- BM-TWP BALL CHECK VALVE JETS
- MANI-SD-A SECURITY DEVICE
- MAN-A-4-AC MANIFOLD
- SILVER SLS+ VARIABLE SPEED BLOWER

INSTALLATION

Install blower behind a wall (with an access panel) or in a closet. Blower can also be installed under floor. Ensure the security device, MANI-DS-A, is at least:

- 2" Above the tub rim

Security device and hose can be mounted in wall

REMOTE CONTROL

- CG+/RTC-SENSOR-WP
- 12 – 15 YEAR BATTERY LIFE

INSIDE OF BATH

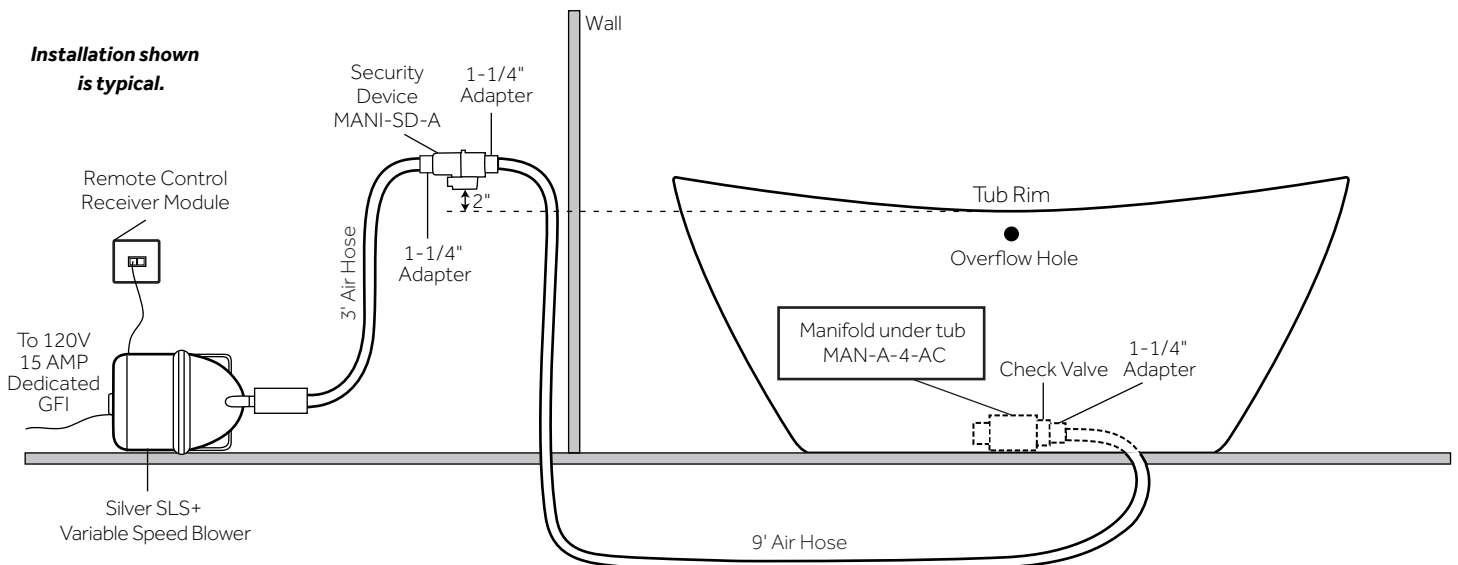
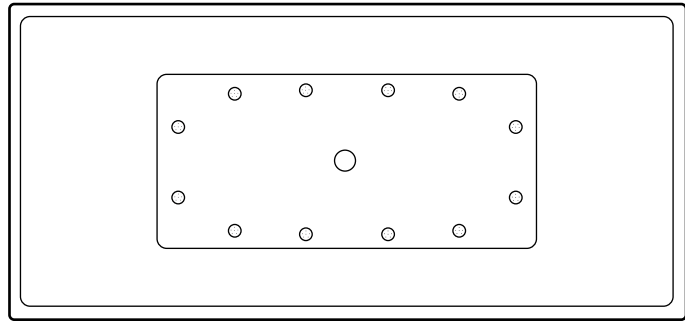
- (12) MAXI AIR JETS WITH 24 OPENINGS



ELBOWS FOR
AIR JETS



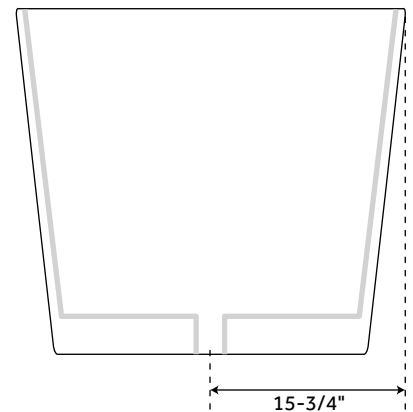
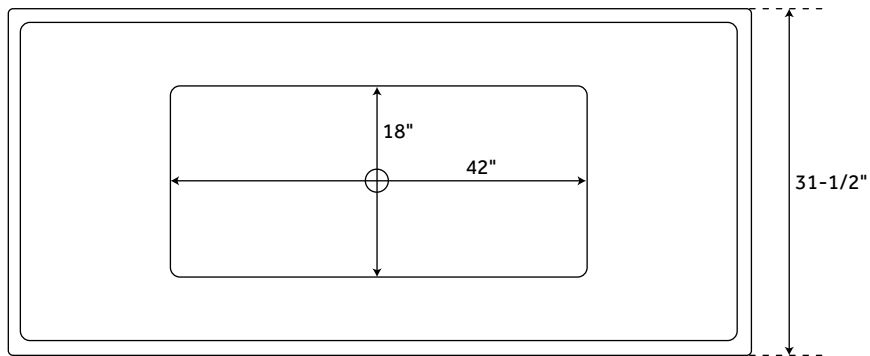
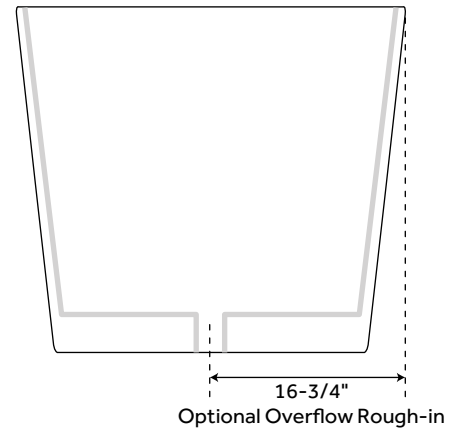
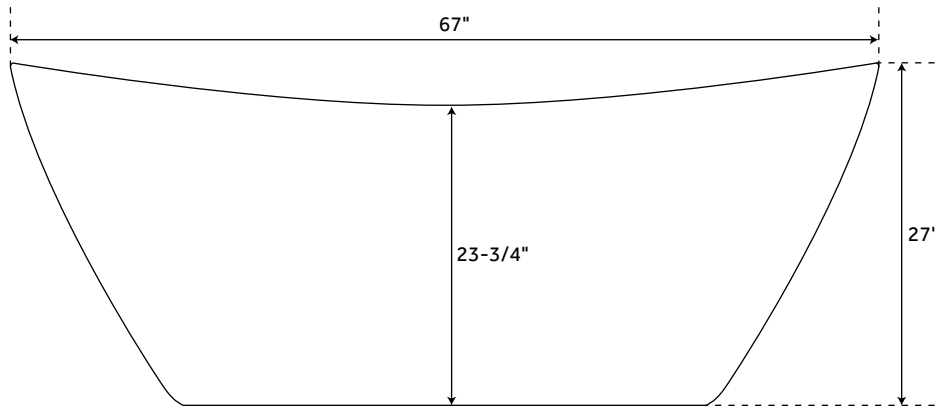
TEES FOR
AIR JETS



67" RENLO

ACRYLIC FREESTANDING TUB

SKU: 930342



FEATURES

Design: Modern
Product Finish: White
Overflow Hole: Optional
Shape: Rectangle
Material: Acrylic
Length: 67"
Width: 31-1/2"
Height: 27"
Water Depth Without/With Overflow:
18-3/8"/14-3/8"
Tap Deck: No
Drain Included: Optional
Drain Placement: Center
Faucet Included: No
Faucet Drillings: No Drillings
Water Capacity Without/With Overflow
(Gallons): 60/47
Built-In Adjusters: Yes
Tub Weight Uncrated (lbs): 150
Tub Weight Crated (lbs.): 260

CODES/STANDARDS

cUPC
CSA B45.5/IAPMO Z124



SIGNATURE HARDWARE LIFETIME WARRANTY

See website for warranty information



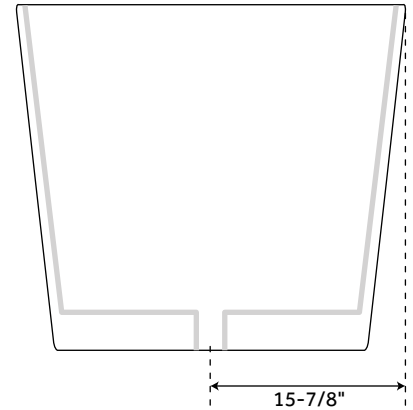
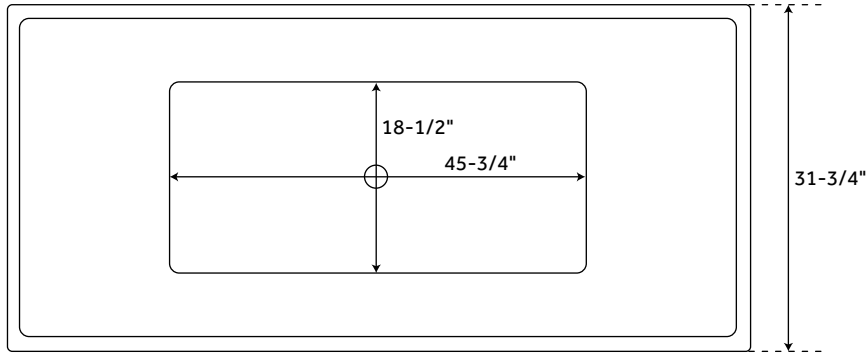
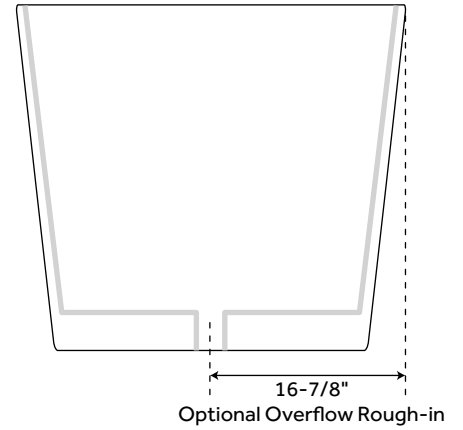
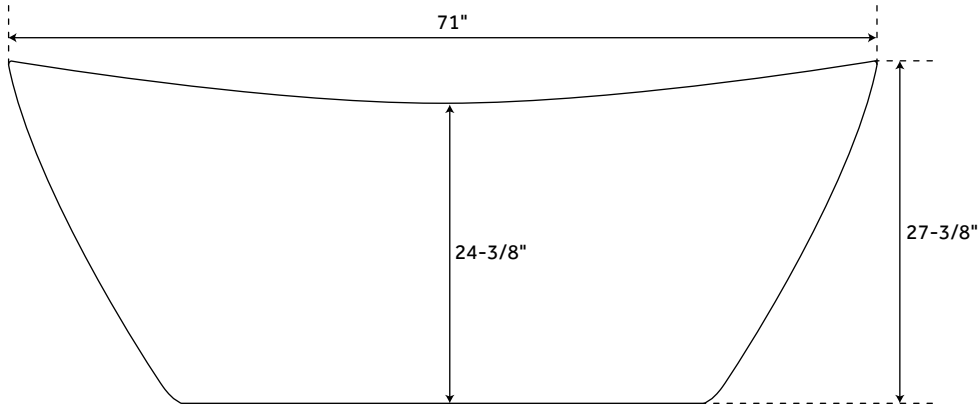
All dimensions and specifications are nominal and may vary. Use actual products for accuracy in critical situations.

PAGE 3

71" RENLO

ACRYLIC FREESTANDING TUB

SKU: 930342



FEATURES

Design: Modern
Product Finish: White
Overflow Hole: Optional
Shape: Rectangle
Material: Acrylic
Length: 71"
Width: 31-3/4"
Height: 27-3/8"
Water Depth Without/With Overflow:
18-1/4"/14-1/4"
Tap Deck: No
Drain Included: Optional
Drain Placement: Center
Faucet Included: No
Faucet Drillings: No Drillings
Water Capacity Without/With Overflow
(Gallons): 67/53
Built-In Adjusters: Yes
Tub Weight Uncrated (lbs): 179
Tub Weight Crated (lbs.): 289

CODES/STANDARDS

cUPC
CSA B45.5/IAPMO Z124



SIGNATURE HARDWARE LIFETIME WARRANTY

See website for warranty information



All dimensions and specifications are nominal and may vary. Use actual products for accuracy in critical situations.

PAGE 4