

51" BOONE

ACRYLIC FREESTANDING TUB

SKU: 929474



FEATURES

51" Dimensions: 51-1/4" L x 25-3/4" W (front to back) x 19-3/4" H (\pm 1/2"). Water capacity without/with overflow: 43/36 gallons. Weight uncrated/crated: 72/182 lbs.

Formed of two acrylic sheets, the air between acting as thermal insulator.

Insulation option: increases heat retention and prevents condensation due to water and air temperature fluctuations.

Design: Modern

Product Finish: White

Overflow Hole: Optional

Shape: Oval

Material: Acrylic

Tap Deck: Yes

Drain Included: Optional

Drain Placement: Offset

Faucet Included: No

Faucet Drillings: No Drillings

Built-in Adjusters: Yes

CONTENTS

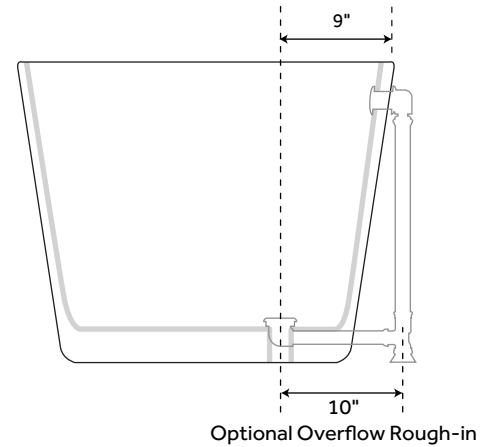
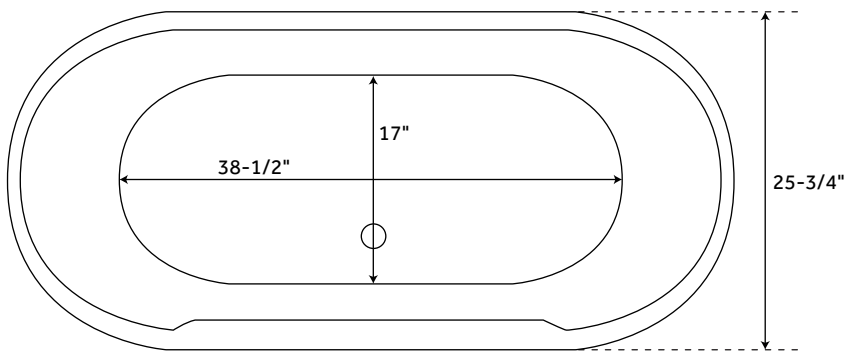
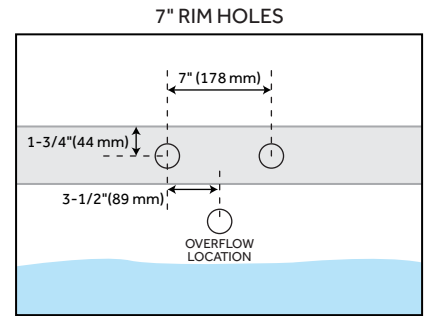
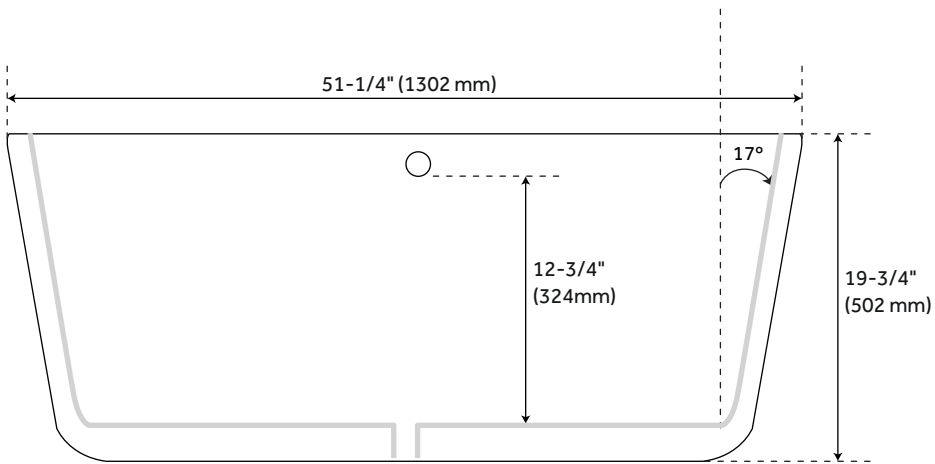
TUB PAGE 2

REVISED 03/3/2021

51" BOONE

ACRYLIC FREESTANDING TUB

SKU: 929474



FEATURES

- Length: 51-1/4"
- Width: 25-3/4"
- Height: 19-3/4"
- Interior Length: 38-1/2"
- Interior Width: 17"
- Water Depth To Overflow: 12-3/4"
- Water Capacity (Gallons) Without Overflow: 43
- Water Capacity (Gallons) With Overflow: 36
- Tub Weight Uncrated (Lbs): 72
- Tub Weight Crated (Lbs): 182

PRODUCT IMAGE



All dimensions and specifications are nominal and may vary. Use actual products for accuracy in critical situations.

PAGE 2