

# CALHOUN

## SHOWER SYSTEM WITH RAINFALL SHOWER HEAD & HAND SHOWER

SKU: 927746



### FEATURES

- Handle Type: Lever
- Installation Type: Wall Mount
- Features: Hand Shower Included, Waterfall
- Assembly Required: Yes
- Design: Modern
- Body Sprays: No
- Shower Head Installation Type: Wall
- Number of Shower Heads: 1
- Shower Head Spray: Rainfall
- Shower Arm Included: Yes
- Shower Head Swivel: No
- 3-Way Diverter Controls Water Flow Between 3 Shower Outlets
- The Diverter Directs Water to One Spray Function at a Time
- Shower Head Flow Rate: 1.8 gpm (6.8 L/min) @ 80 psi
- Rainfall Flow Rate: 2.5 gpm (9.5 L/min) @ 80 psi
- Hand Shower Flow Rate: 1.8 gpm (6.8 L/min) @ 80 psi

### CONTENTS

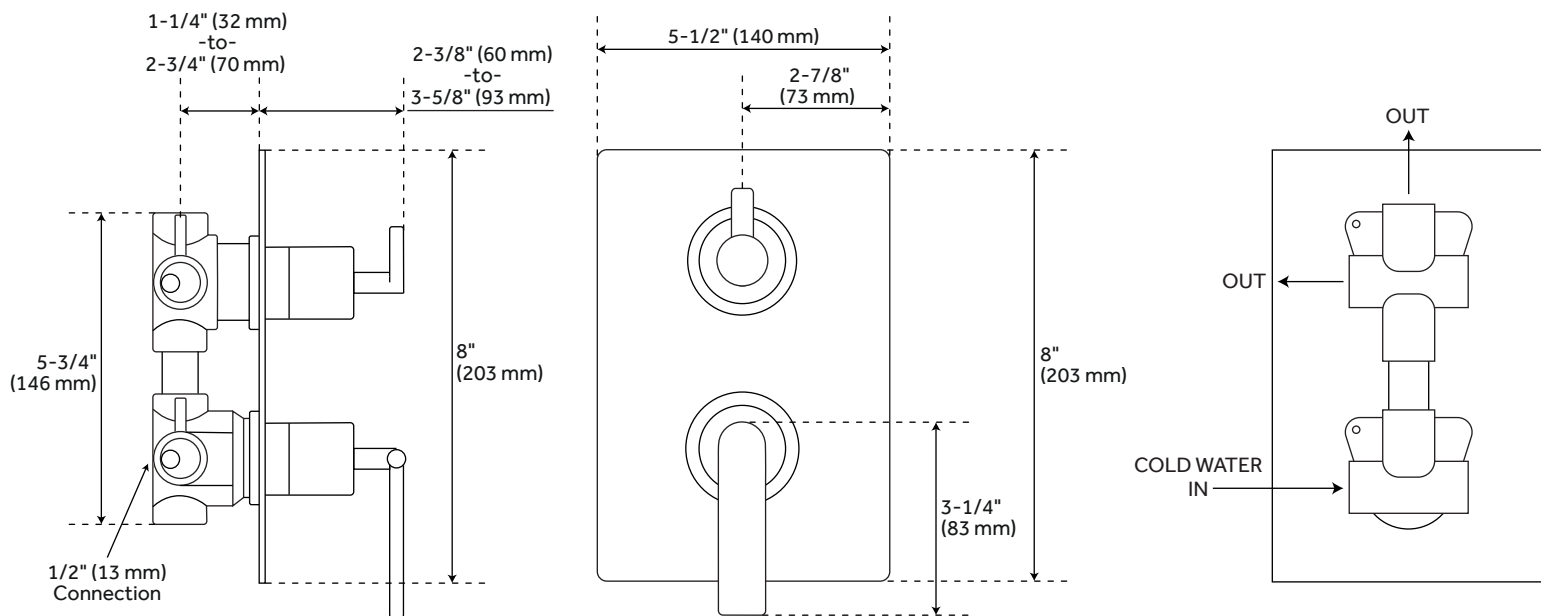
DIVERTER	.....	PAGE 2
WALL SHOWER HEAD	.....	PAGE 3
HAND SHOWER	.....	PAGE 4

REVISED 10/13/2021

# CALHOUN

## 3-WAY SHOWER DIVERTER

SKU: 927746



### FEATURES

- Material: Brass
- Valve Trim Width: 5-1/2"
- Valve Trim Height: 8"
- IPS Inlets: 1/2"

### CODES/STANDARDS

- cUPC
- ASME A112.18.1/CSA B125.1

### LISTED ID:

- 526044, 526045, 526046

### PRODUCT IMAGE



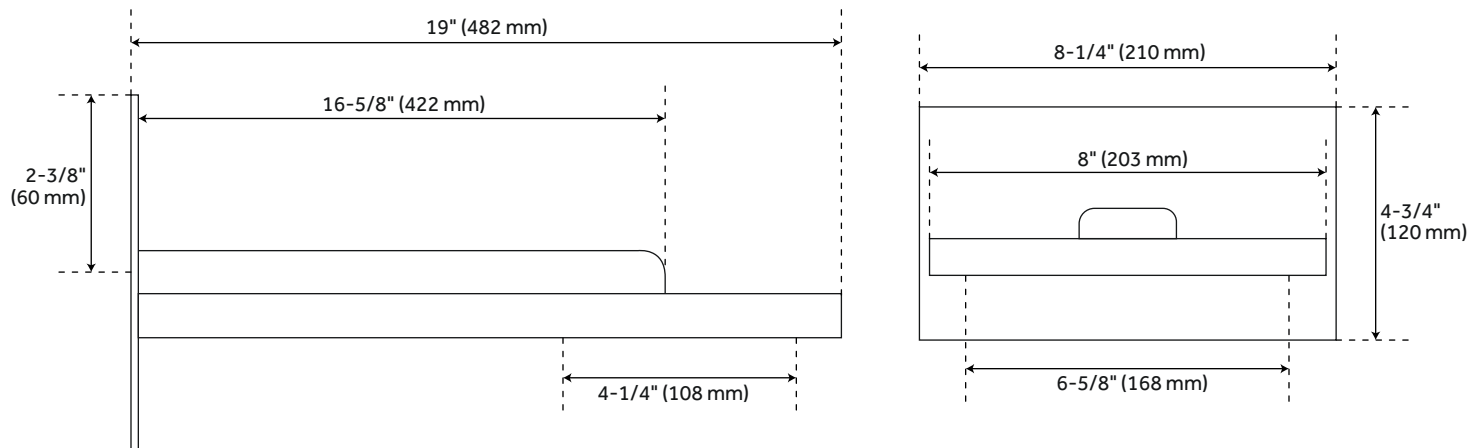
All dimensions and specifications are nominal and may vary. Use actual products for accuracy in critical situations.

PAGE 2

# CALHOUN

## WALL-MOUNT RAINFALL SHOWER HEAD

SKU: 927746



### FEATURES

Shower Head Material: Brass  
Shower Arm Extension: 19"  
Shower Arm Height: 7/8"  
Spray Area Length: 6-5/8"  
Spray Area Width: 4-1/4"

### CODES/STANDARDS

cUPC  
ASME A112.18.1/CSA B125.1

### LISTED ID:

526044, 526045, 526046

### PRODUCT IMAGE



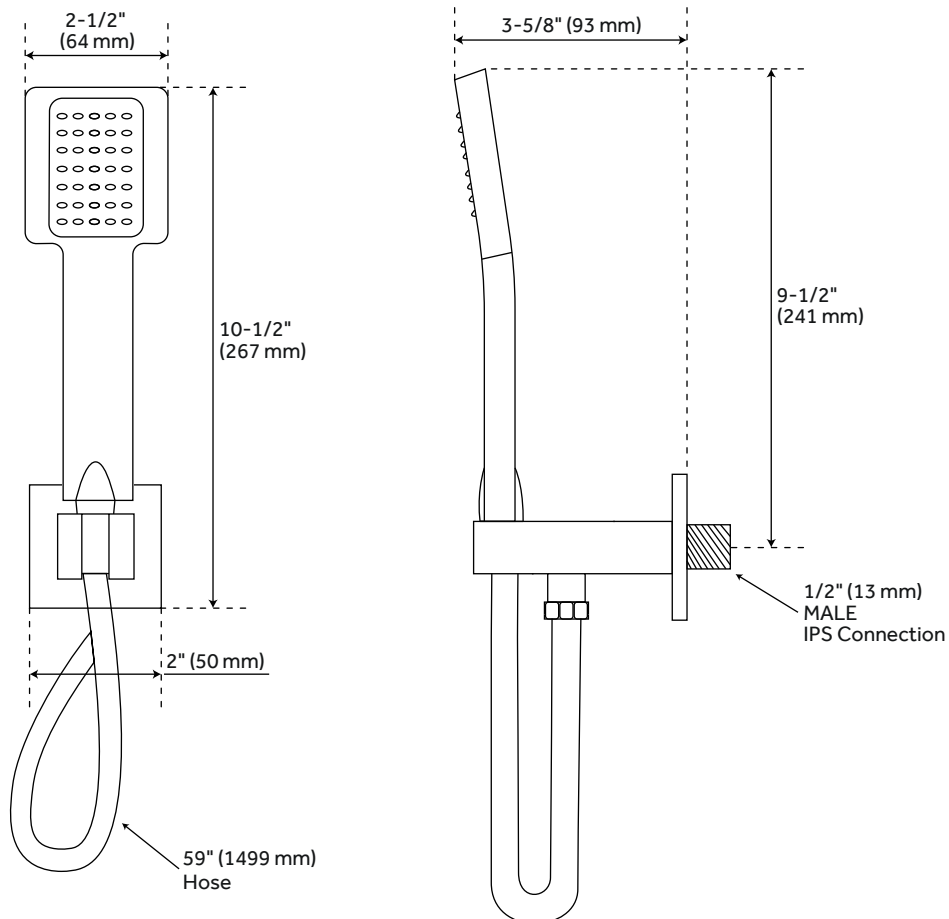
All dimensions and specifications are nominal and may vary. Use actual products for accuracy in critical situations.

PAGE 3

# CALHOUN

## HAND SHOWER

SKU: 927746



### FEATURES

Hand Shower Material: ABS  
Hand Shower Length: 9"  
Hand Shower Hose Length: 59"  
IPS: 1/2"

### CODES/STANDARDS

cUPC  
ASME A112.18.1/CSA B125.1

### LISTED ID:

526044, 526045, 526046

### PRODUCT IMAGE



All dimensions and specifications are nominal and may vary. Use actual products for accuracy in critical situations.

PAGE 4