



KENNEDY THERMOSTATIC TUB & SHOWER SYSTEM

SPECIFICATIONS

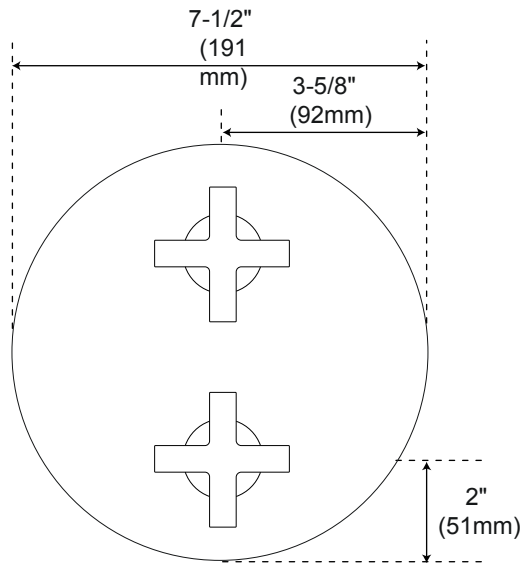
CONTENTS

Diverter.....	2
Wall Shower Head.....	3
Handshower.....	4
Tub Spout.....	5

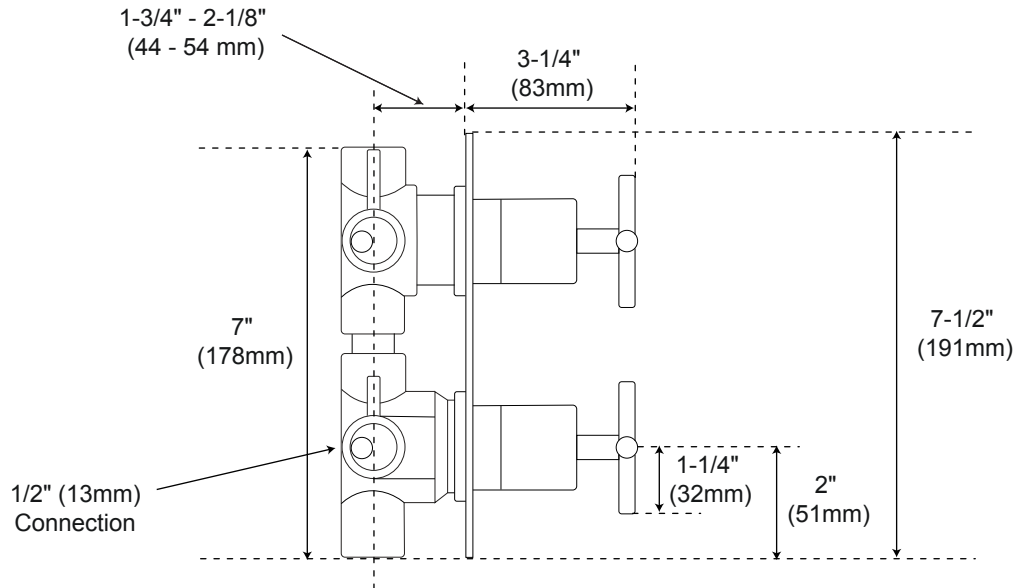


Diverter

Front



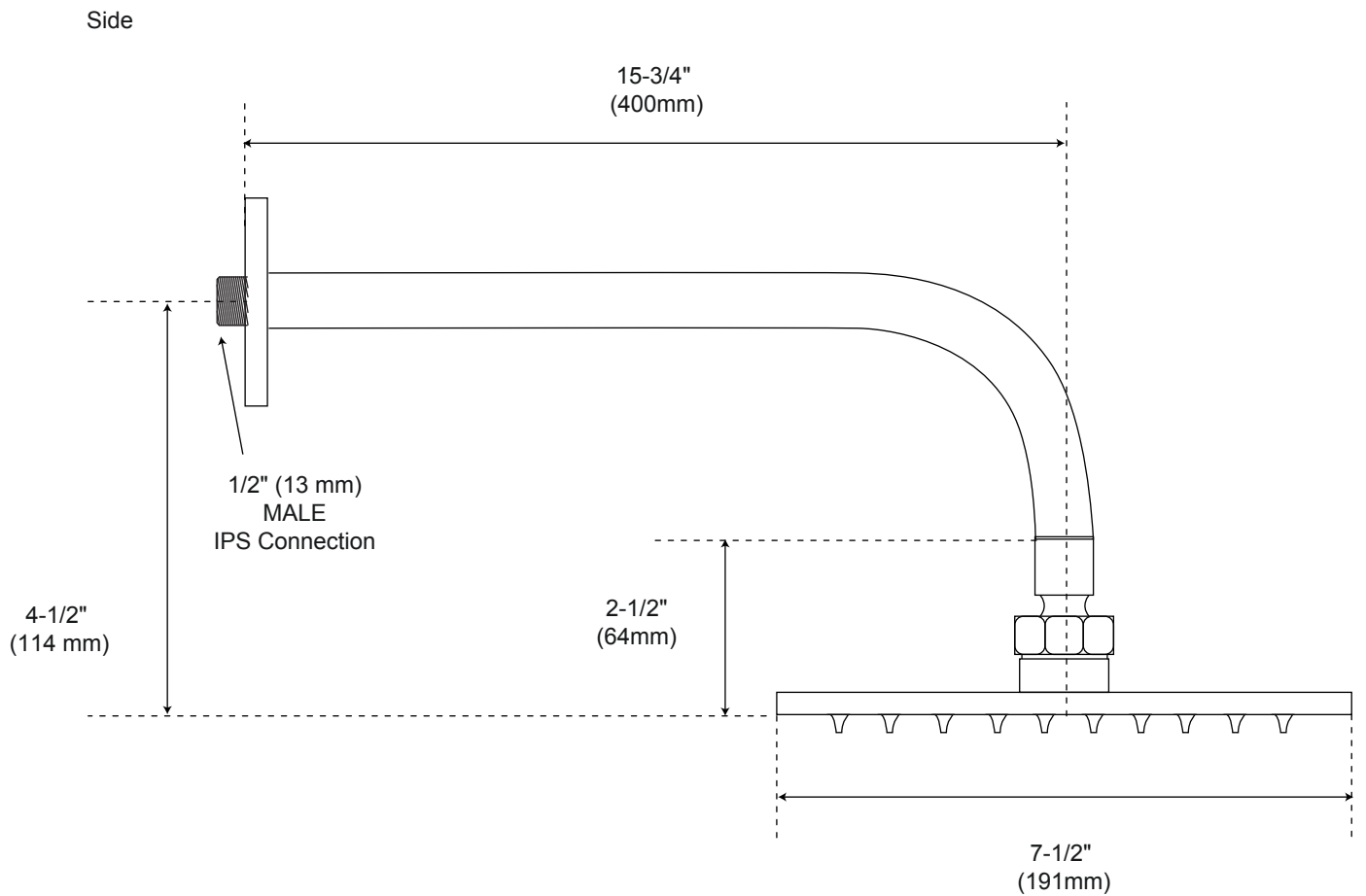
Side



All product dimensions are nominal.



Wall Shower Head

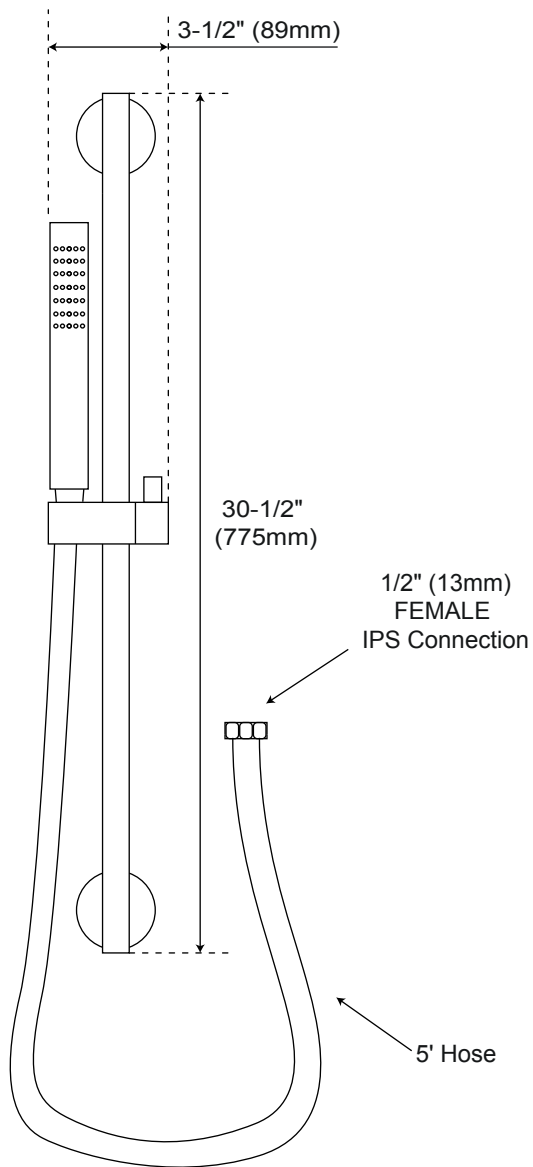


All product dimensions are nominal.

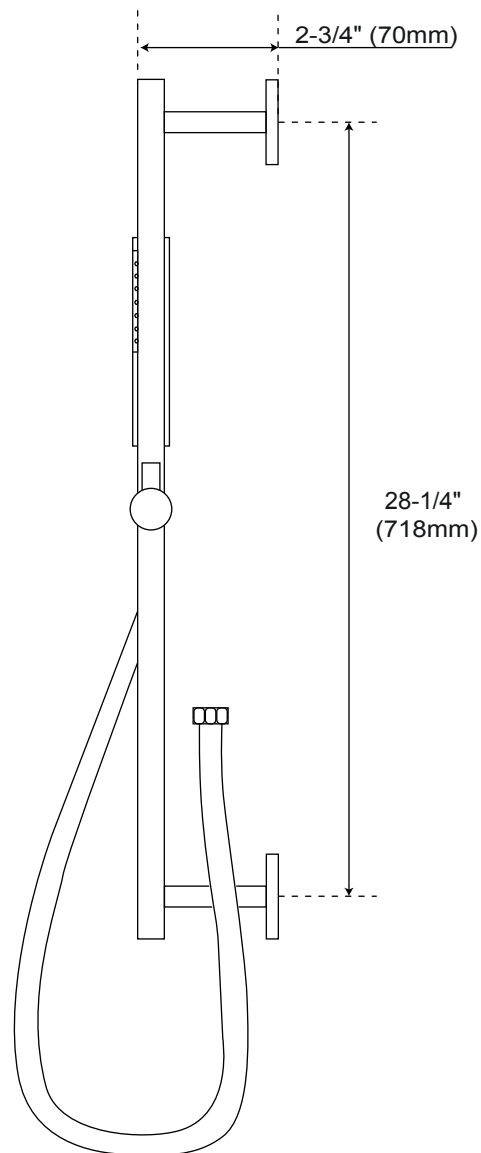


Handshower

Front



Side

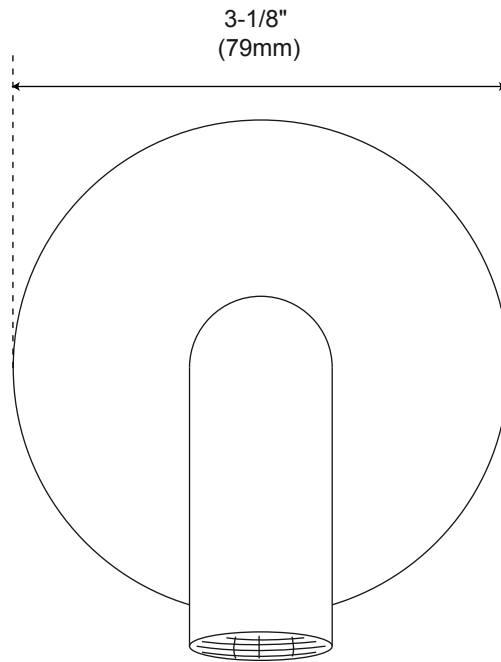


All product dimensions are nominal.

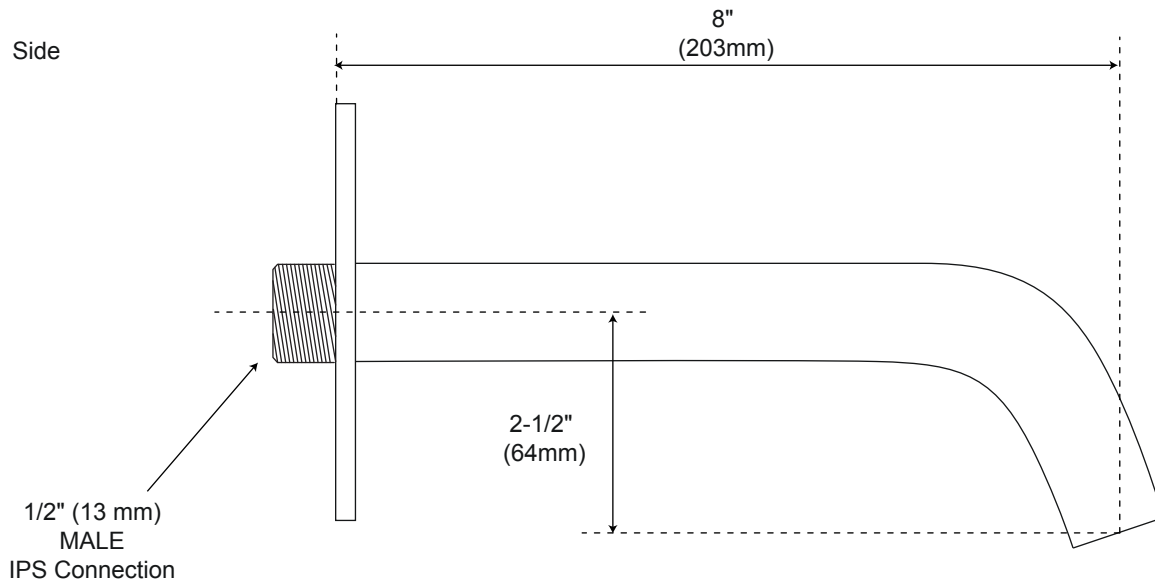


Tub Spout

Front



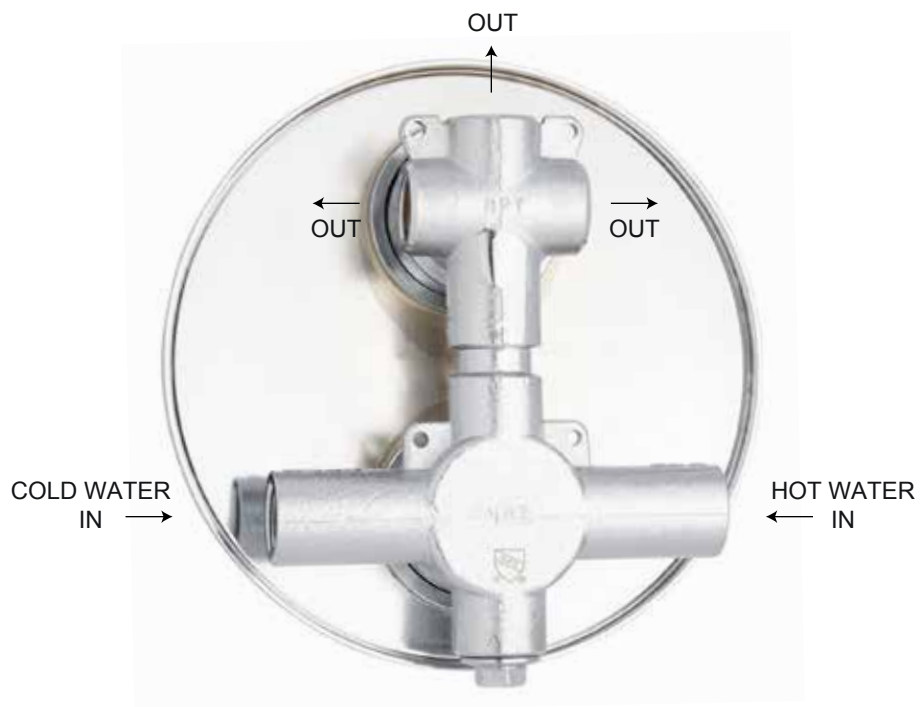
Side





Diverter

(back)



All product dimensions are nominal.