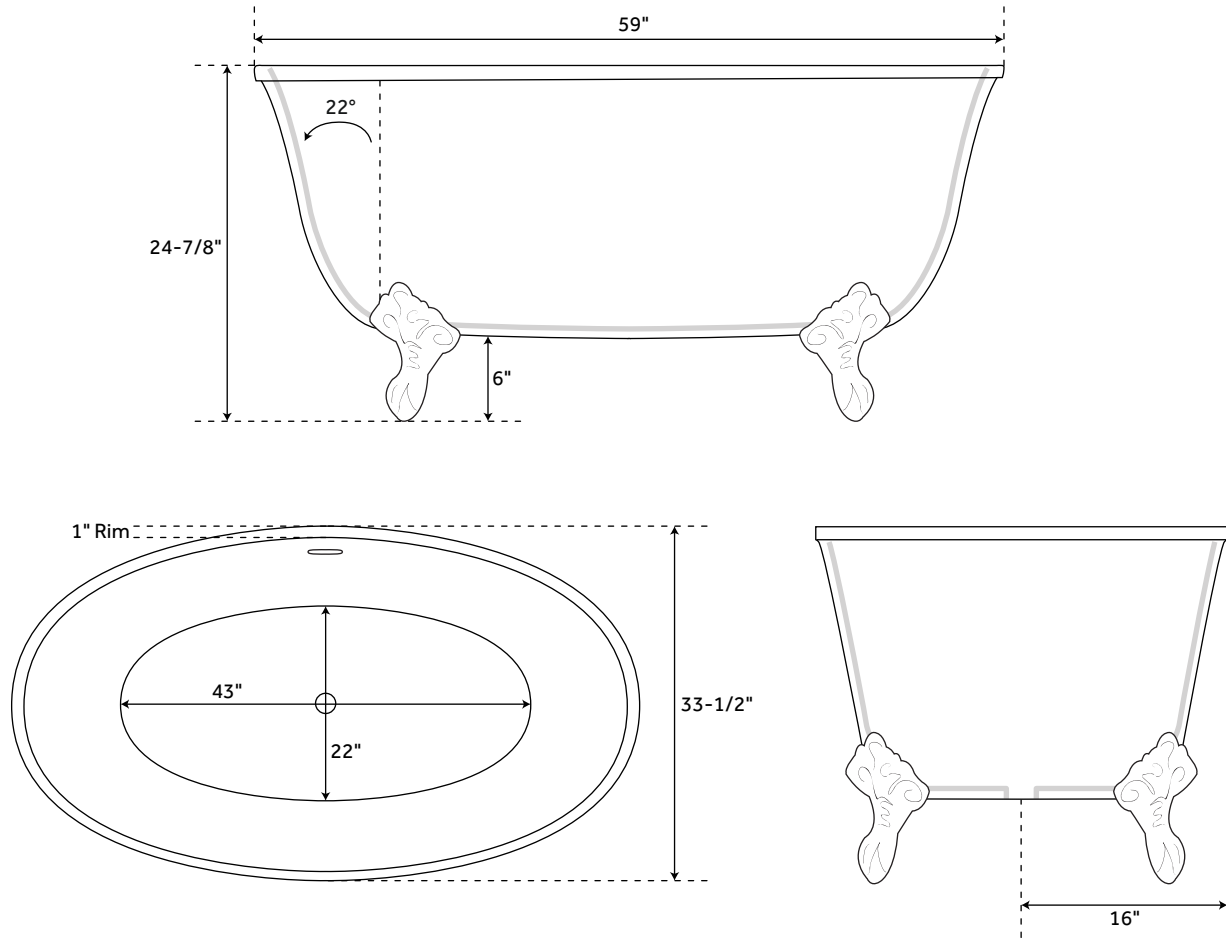


59" WATTERS

ACRYLIC CLAWFOOT TUB

SKU: 926875, 946773



FEATURES

- Overflow Hole: Yes
- Integral Drain & Overflow: Yes
- Shape: Oval
- Material: Acrylic
- Length: 59"
- Width: 33-1/2"
- Height: 24-7/8"
- Tub Interior Length: 43"
- Tub Interior Width: 22"
- Tube Slope: 22°
- Water Depth To Overflow: 14-1/4"
- Feet Type: Imperial
- Tap Deck: No
- Drain Placement: Center
- Faucet Included: No
- Faucet Drillings: No Drillings
- Water Capacity (Gallons): 58
- Built-In Adjusters: Yes
- Tub Weight Uncrated (lbs): 92
- Tub Weight Crated (lbs): 202

SIGNATURE HARDWARE LIFETIME WARRANTY

See website for warranty information



All dimensions and specifications are nominal and may vary. Use actual products for accuracy in critical situations.

REVISED 10/22/2019