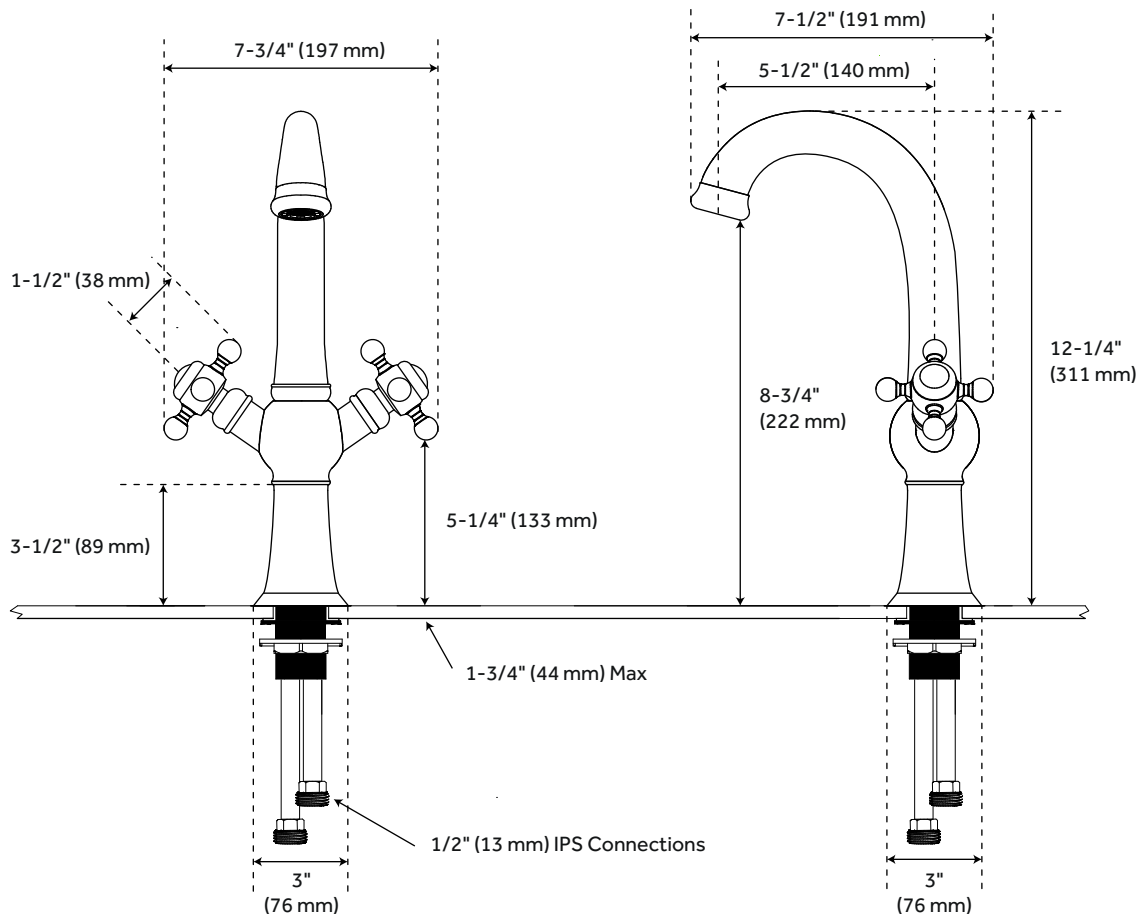


DANELLE

SINGLE-HOLE VESSEL FAUCET

SKU: 926651



FEATURES

Max. Countertop Thickness: 1-3/4"
Length: 7-3/4"
Width: 7-1/2"
Height: 12-1/4"
Height To Spout: 8-3/4"
Spout Reach: 5-1/2"
Base Plate Diameter: 3"
Handle Length: 1-1/2"
Height to Bottom of Handle: 5-1/4"
IPS: 1/2"
Drain Included: Yes
Overflow Hole: Yes
Drain Size: 1-1/2"
Maximum Flow Rate: 1.2 gpm
(gallons per minute)

CODES/STANDARDS

cUPC
NSF/ANSI 61
ASME A112.18.1/CSA B125.1
NSF/ANSI 372



PRODUCT IMAGE



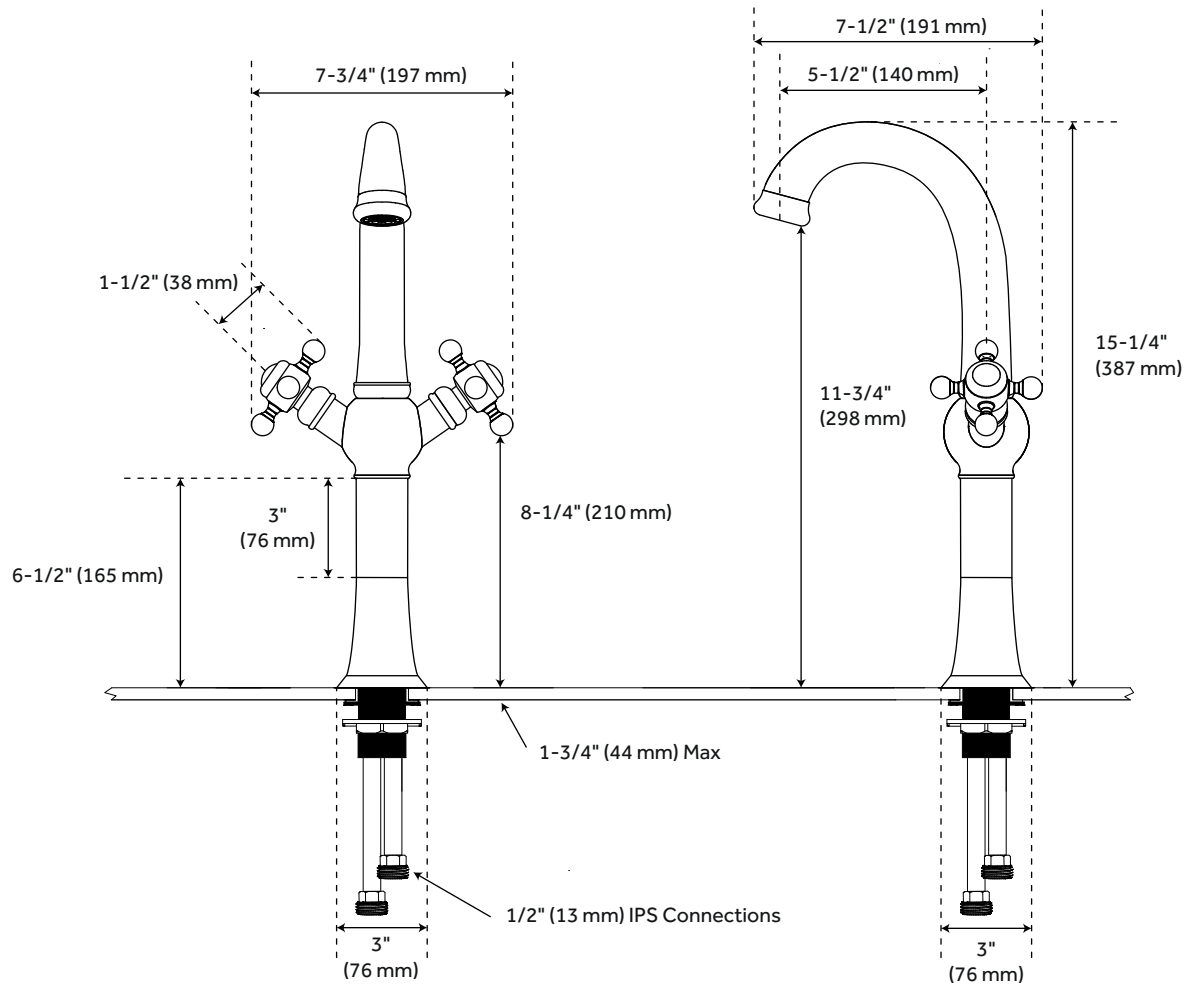
All dimensions and specifications are nominal and may vary. Use actual products for accuracy in critical situations.

REVISED 09/28/2021

DANELLE

SINGLE-HOLE VESSEL FAUCET WITH 3" HEIGHT EXTENDER

SKU: 926651



FEATURES

Max. Countertop Thickness: 1-3/4"
Length: 7-3/4"
Width: 7-1/2"
Height: 15-1/4"
Height To Spout: 11-3/4"
Spout Reach: 5-1/2"
Base Plate Diameter: 3"
Handle Length: 1-1/2"
Height to Bottom of Handle: 8-1/4"
IPS: 1/2"
Drain Included: Yes
Overflow Hole: Yes
Drain Size: 1-1/2"
Maximum Flow Rate: 1.2 gpm
(gallons per minute)

CODES/STANDARDS

cUPC
NSF/ANSI 61
ASME A112.18.1/CSA B125.1
NSF/ANSI 372

PRODUCT IMAGE



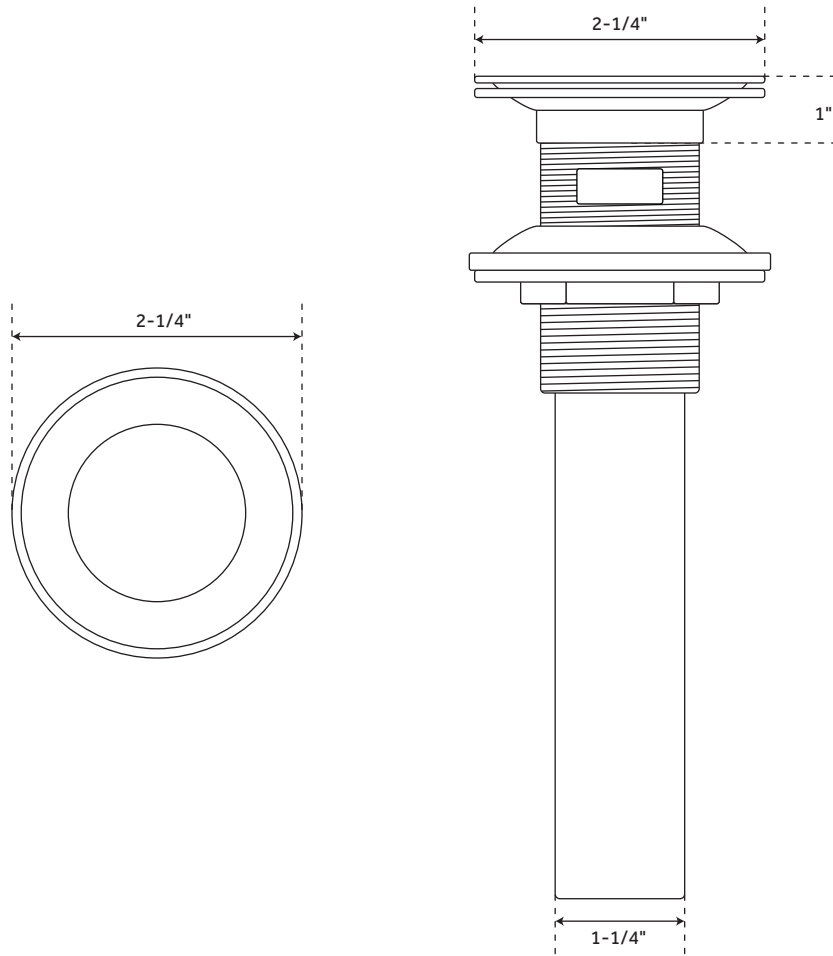
All dimensions and specifications are nominal and may vary. Use actual products for accuracy in critical situations.

REVISED 09/28/2021

POP-UP

BATHROOM DRAIN - 1-1/2"

WITH OVERFLOW



FEATURES

- Material: Brass
- Fits Drain Hole Size: 1-1/2"
- Made Of Solid Brass
- Completely Finished With Plated Parts
- Fits Standard Sinks With 1-1/2" Drain Holes
- 1-1/4" Tailpiece
- Overflow Hole: Yes

PRODUCT IMAGE



All dimensions and specifications are nominal and may vary. Use actual products for accuracy in critical situations.

REVISED 09/28/2021