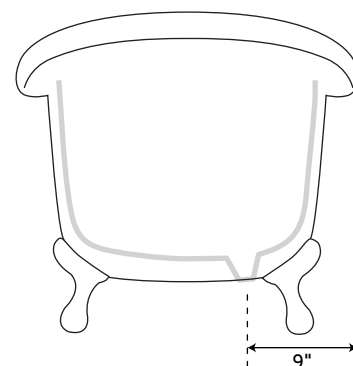
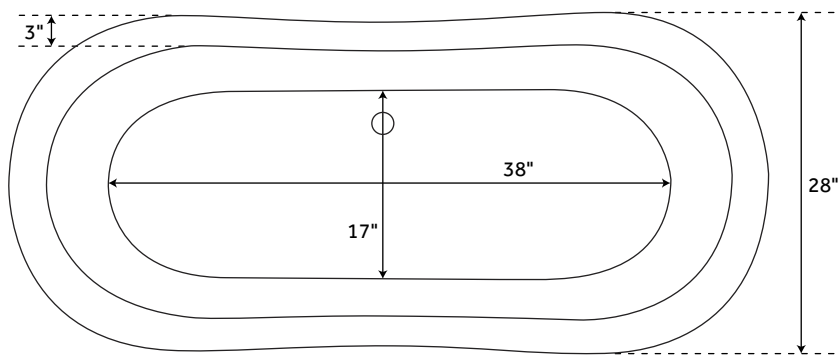
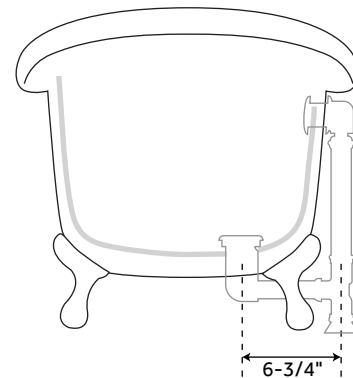
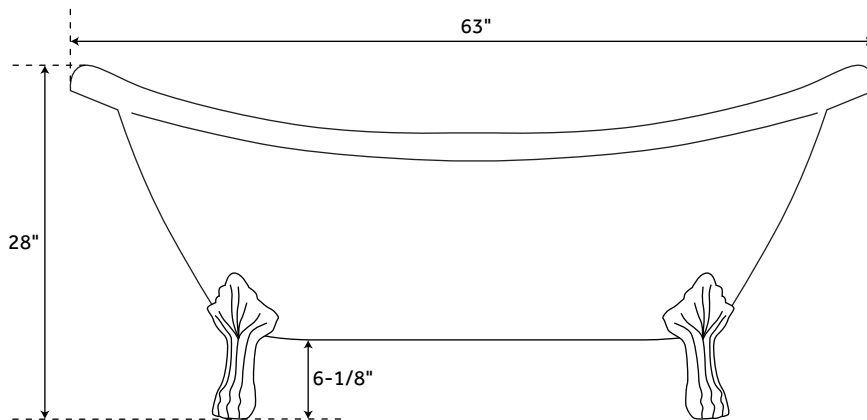


63" ROSALIND

ACRYLIC CLAWFOOT TUB - LION PAW FEET

SKU: 924511



FEATURES

Design: Traditional
Product Finish: White
Shape: Oval
Material: Acrylic
Length: 63"
Width: 28"
Height: 28"
Feet Type: Lion Paw
Feet Material: Cast Iron
Drain Included: Optional
Drain Placement: Offset
Faucet Included: No
Built-In Adjusters: Yes
Water Depth Without/With Overflow:
15-1/2"/13"
Water Capacity Without/With Overflow
(Gallons): 43/36
Tub Weight Uncrated (lbs): 90
Tub Weight Crated (lbs): 189

SIGNATURE HARDWARE LIFETIME WARRANTY

See website for warranty information



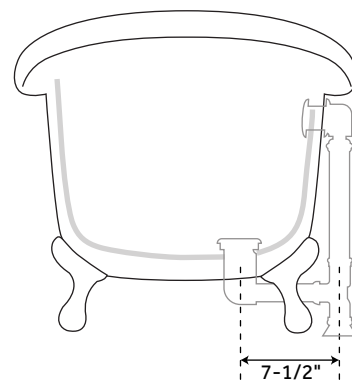
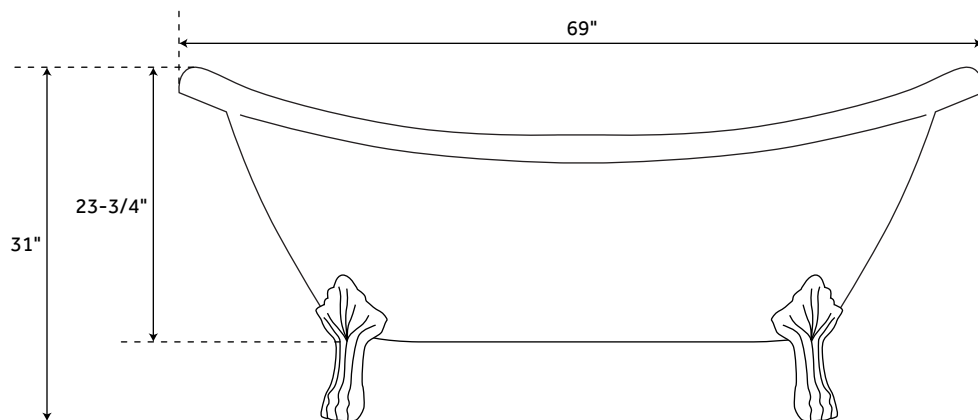
All measurements are approximate. Measurements may vary +/- 1/2".

REVISED 07/28/2020

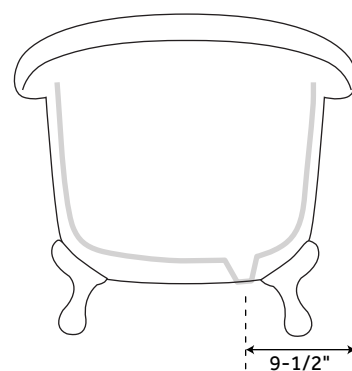
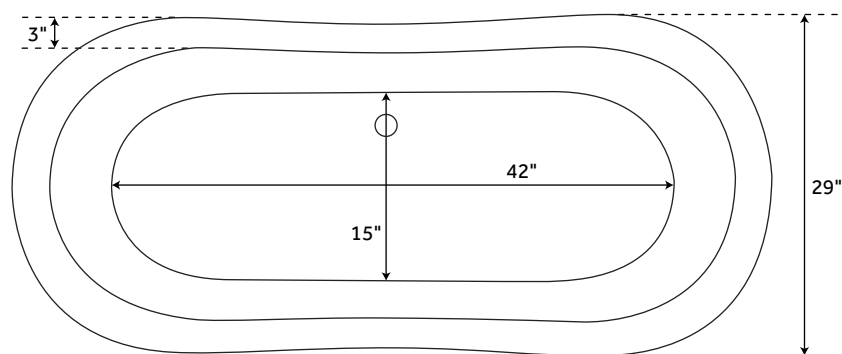
69" ROSALIND

ACRYLIC CLAWFOOT TUB - LION PAW FEET

SKU: 924511



Optional Overflow Rough-in



FEATURES

Design: Traditional
Product Finish: White
Shape: Oval
Material: Acrylic
Length: 69"
Width: 29"
Height: 31"
Feet Type: Lion Paw
Feet Material: Cast Iron
Drain Included: Optional
Drain Placement: Offset
Faucet Included: No
Built-In Adjusters: Yes
Water Capacity Without/With Overflow:
(Gallons): 52/44
Tub Weight Uncrated (lbs): 104
Tub Weight Crated (lbs): 197

SIGNATURE HARDWARE LIFETIME WARRANTY

See website for warranty information



All measurements are approximate. Measurements may vary +/- 1/2".

REVISED 07/28/2020