

66" KENDI BATEAU

HAMMERED COPPER TUB

SKU: 922328-66



CONTENTS

66" TUB PAGE 2

FEATURES

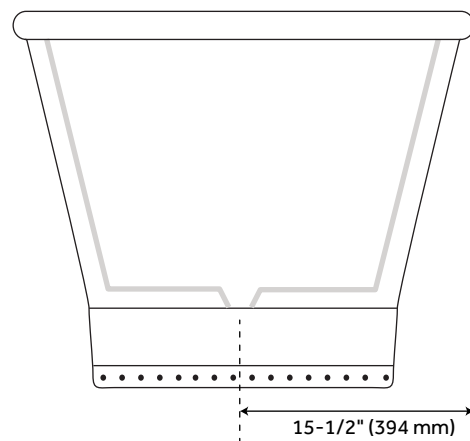
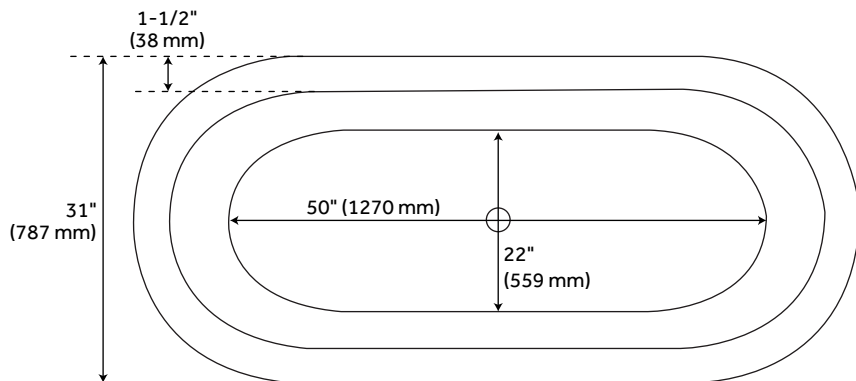
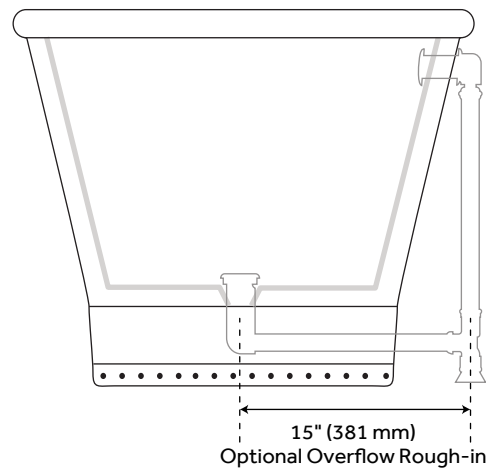
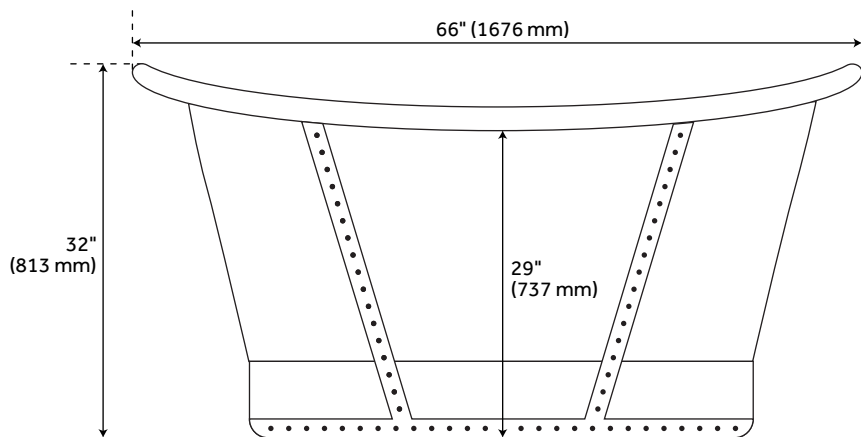
- Design: Industrial
- Product Finish: Antique Copper Patina
- Overflow Hole: Optional
- Shape: Oval
- Material: Copper
- Exterior Treatment: Hammered
- Interior Treatment: Hammered
- Tap Deck: No
- Drain Included: Optional
- Drain Placement: Center
- Faucet Included: No
- Faucet Drillings: No Drillings
- Hand-polished Finish.
- Patina Applied Using French Hot Process,
So Color is Ingrained in the Copper
- Copper Tubs are Handmade and Therefore
Unique Expect Slight Variations in Finish
and Dimensions ($\pm 1"$)
- Features Drain Passage Hole on Plinth
- Overflow Option Includes a Standard Overflow Which
Remains Open to Allow Water Into the Drain
- To Keep the Tub in Premium Condition, it is
Recommended to Not Use Anything Abrasive
for Bathing or Cleaning, Including Products Like
Epsom Salts, Bristle Brushes, and Harsh Soaps
- Optional Quick Connect Drop-In Drain Kit Includes:
Floor Plate, 1-1/2" Pvc Pipe, 2" X 1-1/2" Trap
Adapters, 1 Brass Threaded, 1 Brass
Unthreaded Tailpiece and Plug
- Installs Above Your Subfloor, but Underneath
Your Cement Floor or Tile, So You Do Not
Need Access Below the Fixture

REVISED 09/23/2021

66" KENDI BATEAU

HAMMERED COPPER TUB

SKU: 922328-66



FEATURES

- Length: 66"
- Width: 31"
- Height: 32"
- Tub Interior Length: 50"
- Tub Interior Width: 22"
- Water Depth to Rim: 20"
- Metal Gauge/Thickness: 16 Gauge
- Tub Weight Uncrated: 110 lbs.
- Tub Weight Crated: 220 lbs.

PRODUCT IMAGE



All dimensions and specifications are nominal and may vary. Use actual products for accuracy in critical situations.

PAGE 2