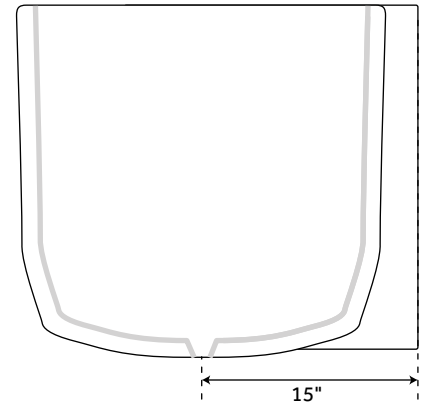
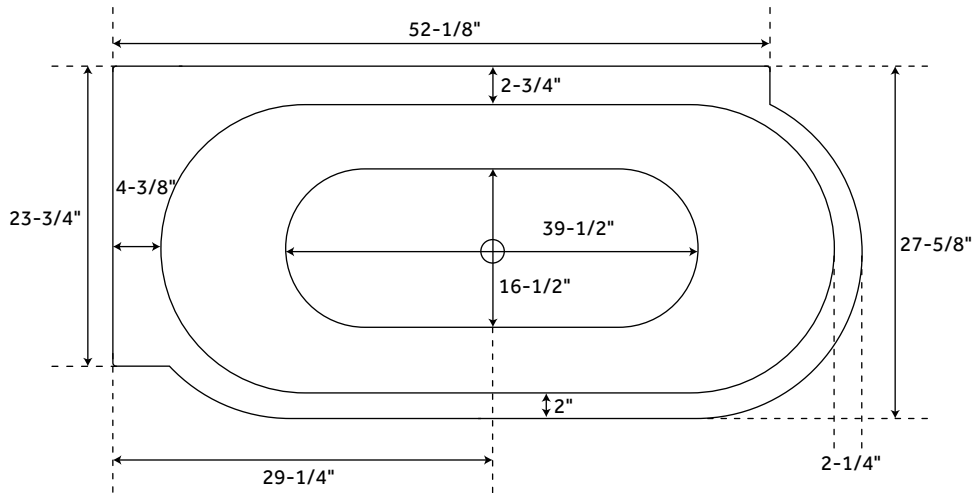
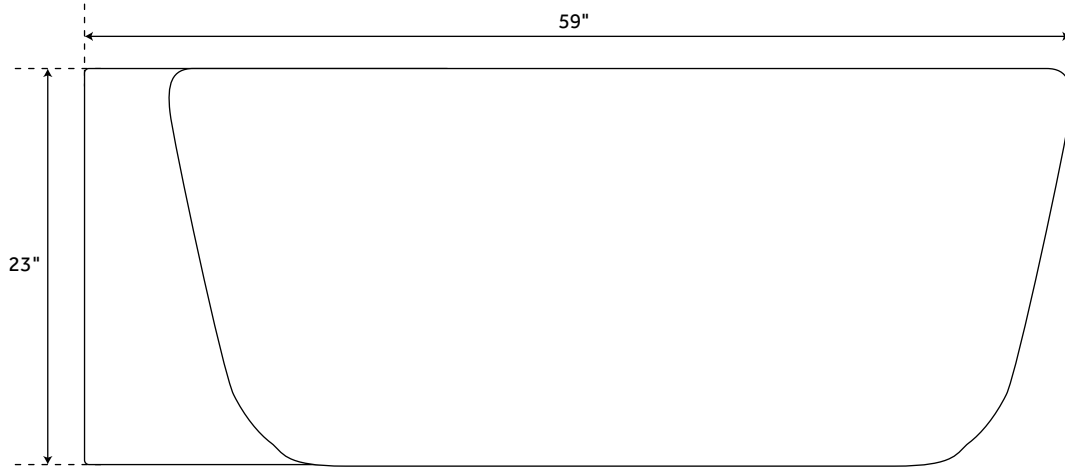


59" AVERILL

ACRYLIC FREESTANDING CORNER TUB

SKU: 920834



FEATURES

Product Finish: White
Features: Back to Wall, Corner
Overflow Hole: No
Shape: Specialty
Material: Acrylic
Length: 59"
Width: 27-5/8"
Height: 23"
Tub Interior Length: 39-1/2"
Tub Interior Width: 16-1/2"
Water Depth to Rim: 17-1/2"
Tap Deck: No
Drain Included: No
Drain Placement: Center
Faucet Included: No
Faucet Drillings: No Drillings
Water Capacity (Gallons): 49
Built-In Adjusters: Yes
Tub Weight Uncrated (lbs): 131
Tub Weight Crated (lbs): 241

SIGNATURE HARDWARE LIFETIME WARRANTY

See website for warranty information



All measurements are approximate. Measurements may vary +/- 1/2".

REVISED 08/08/2019