

59" AVERILL

ACRYLIC FREESTANDING CORNER TUB

SKU: 920834



FEATURES

Product Finish: White
Features: Back to Wall, Corner
Overflow Hole: No
Shape: Specialty
Material: Acrylic
Length: 59"
Width: 27-5/8"
Height: 23"
Tub Interior Length: 39-1/2"
Tub Interior Width: 16-1/2"
Water Depth to Rim: 17-1/2"
Tap Deck: No
Drain Included: No
Drain Placement: Center
Faucet Included: No
Faucet Drillings: No Drillings
Water Capacity (Gallons): 49
Built-In Adjusters: Yes
Tub Weight Uncrated (lbs): 131
Tub Weight Crated (lbs): 241

SIGNATURE HARDWARE Lifetime Warranty

See website for detailed warranty information.

CONTENTS

AIR TUB	PAGE 2
59" TUB	PAGE 3

REVISED 10/07/2019

59" AVERILL AIR TUB

COMPONENTS LIST

- BM-TWP BALL CHECK VALVE JETS
- MANI-SD-A SECURITY DEVICE
- MAN-A-4-AC MANIFOLD
- SILVER SLS+ VARIABLE SPEED BLOWER

INSTALLATION

Install blower behind a wall (with an access panel) or in a closet. Blower can also be installed under floor. Ensure the security device, MANI-SD-A, is at least:

- 2" Above the tub rim

Security device and hose can be mounted in wall

REMOTE CONTROL

- CG+/RTC-SENSOR-WP
- 12 – 15 YEAR BATTERY LIFE

INSIDE OF BATH

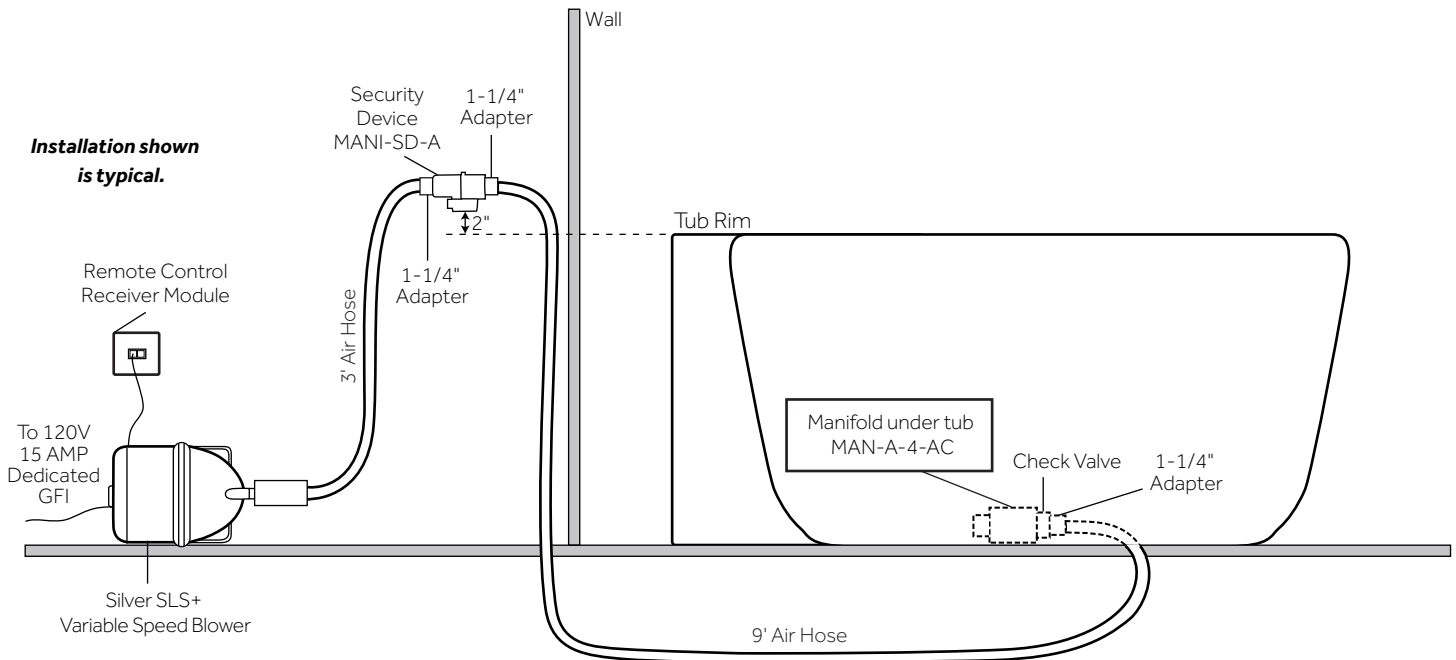
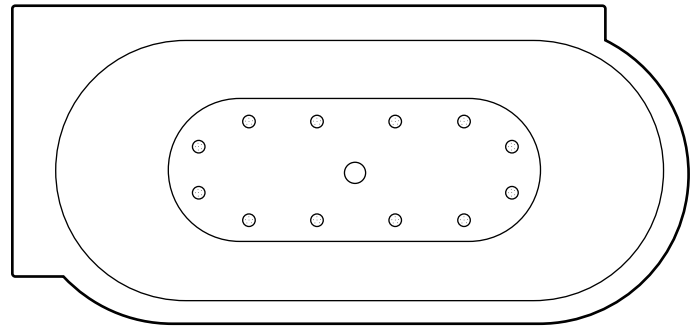
- (12) MAXI AIR JETS WITH 24 OPENINGS



ELBOWS FOR AIR JETS



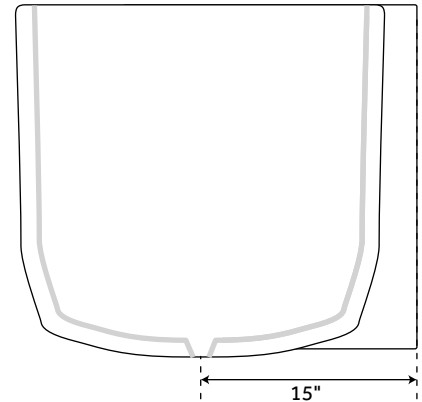
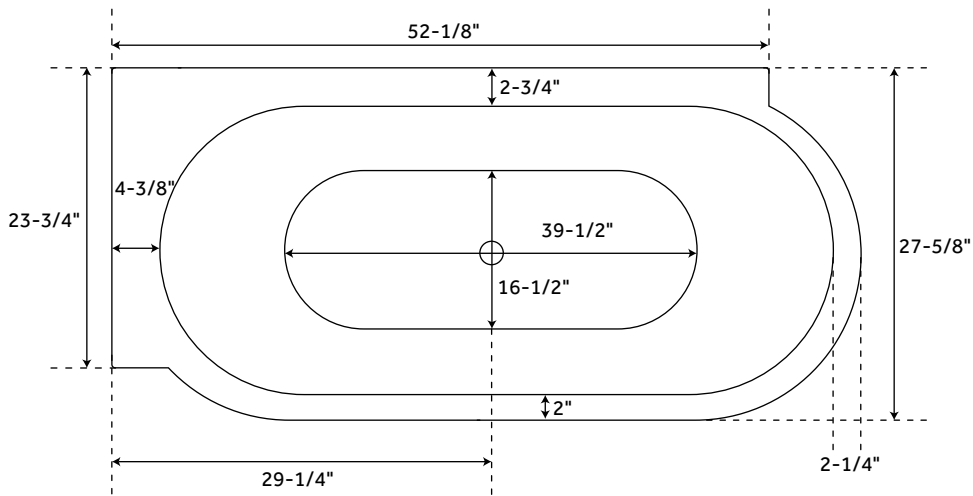
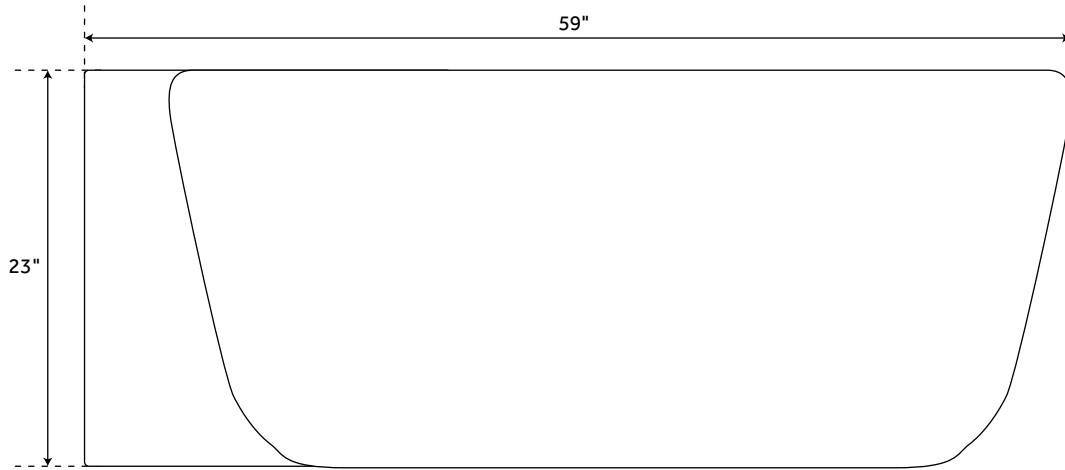
TEES FOR AIR JETS



59" AVERILL

ACRYLIC FREESTANDING CORNER TUB

SKU: 920834



FEATURES

Product Finish: White
Features: Back to Wall, Corner
Overflow Hole: No
Shape: Specialty
Material: Acrylic
Length: 59"
Width: 27-5/8"
Height: 23"
Tub Interior Length: 39-1/2"
Tub Interior Width: 16-1/2"
Water Depth to Rim: 17-1/2"
Tap Deck: No
Drain Included: No
Drain Placement: Center
Faucet Included: No
Faucet Drillings: No Drillings
Water Capacity (Gallons): 49
Built-In Adjusters: Yes
Tub Weight Uncrated (lbs): 131
Tub Weight Crated (lbs): 241

SIGNATURE HARDWARE LIFETIME WARRANTY

See website for warranty information



All dimensions and specifications are nominal and may vary. Use actual products for accuracy in critical situations.

PAGE 3