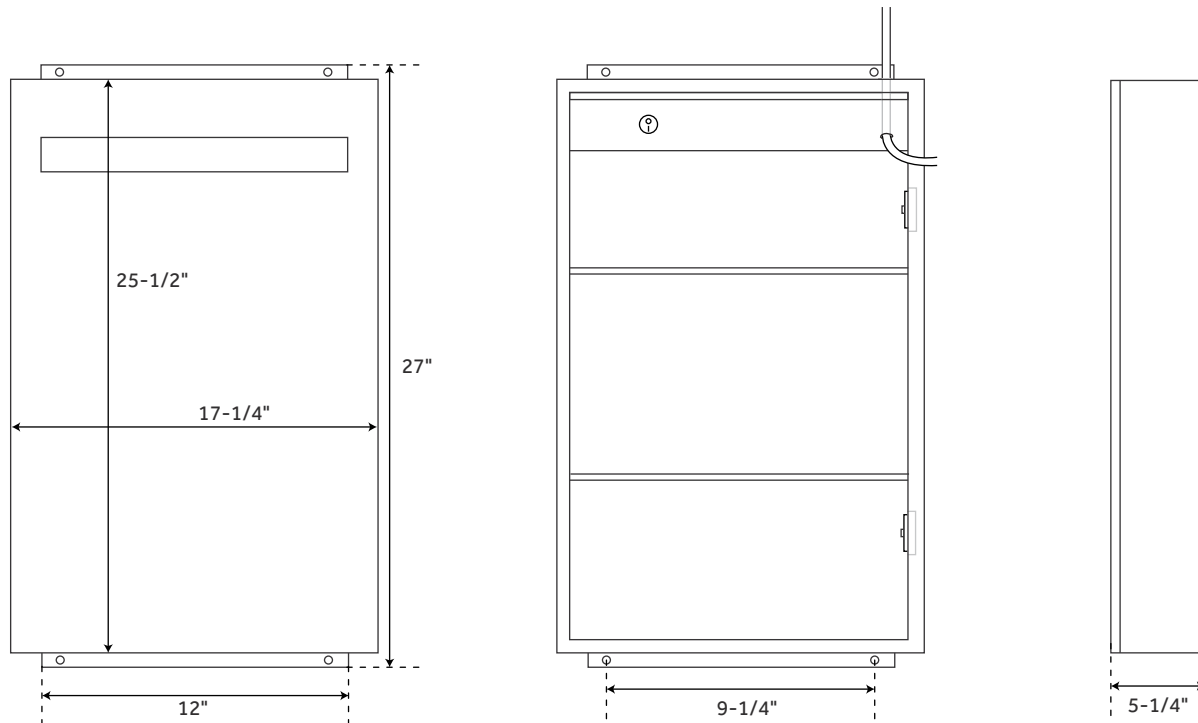


BRILLIANT

ALUMINUM MEDICINE CABINET WITH LIGHTED MIRROR

SKU: 919881



FEATURES

Features: Double-sided Mirror,
Frameless, Lighted, Mirrored
Material: Aluminum
Mirror Shape: Rectangle
Number of Doors: 1
Width: 17-1/4"
Height: 27"
Depth: 5-1/4"
Mounting Hardware Included: Yes
Assembly Required: No
Mirror Only Width: 17-1/4"
Mirror Only Height: 25-1/2"
Door Opens: Right-hand
Number of Shelves: 2, Adjustable
Non-reversible door. Right hand only
Surface mounted
Hard-wired

CODES/STANDARDS

UL Listed



SIGNATURE HARDWARE

LIFETIME WARRANTY

See website for warranty information



All dimensions and specifications are nominal and may vary. Use actual products for accuracy in critical situations.

REVISED 08/29/2019