



# **GLENLEY PRESSURE BALANCE**

## **SHOWER SET WITH CROSS HANDLE**

### **SPECIFICATIONS**

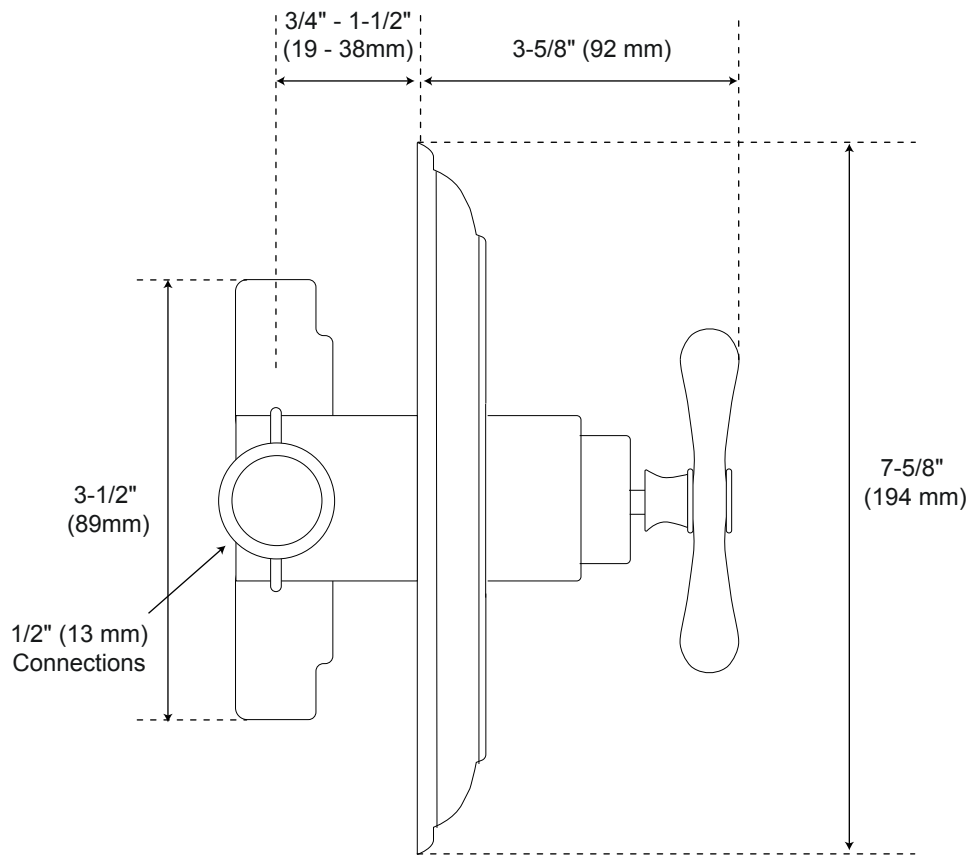
#### **CONTENTS**

<b>Diverter</b> .....	<b>2</b>
<b>Wall Shower Head</b> .....	<b>3</b>



# Shower Valve

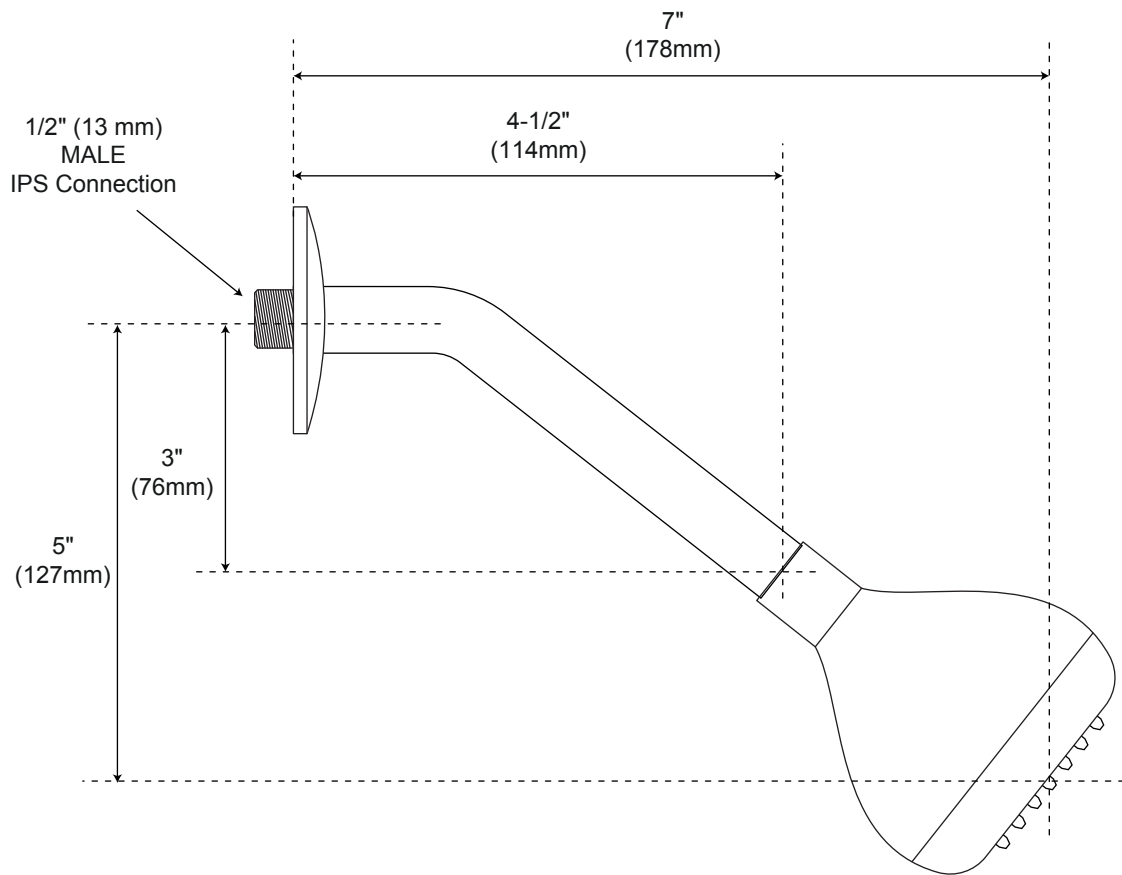
Side



All product dimensions are nominal.



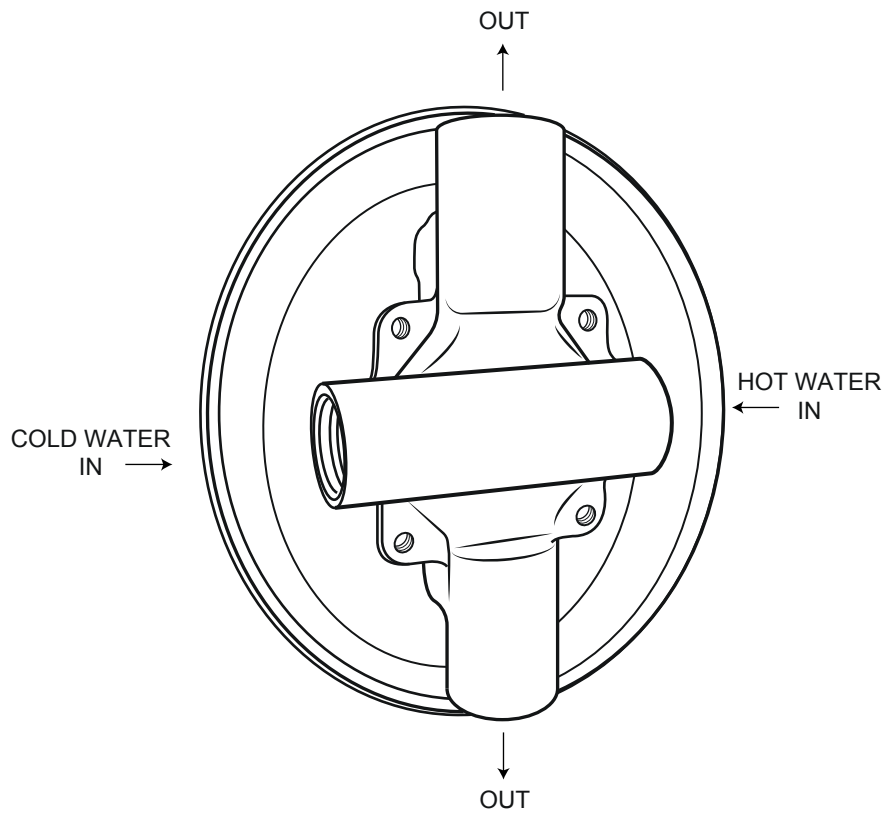
# Wall Shower Head





# Diverter

(back)



All product dimensions are nominal.