

# MONROE

## BRIDGE BATHROOM FAUCET - CROSS HANDLES

SKU: 918022



### FEATURES

Installation Type: Bridge  
Handle Type: Cross  
Overflow Hole: Yes  
Design: Transitional  
Faucet Material: Brass  
Ceramic Disc Cartridges: Yes  
Hot and Cold Indicators: Yes  
Drain Included: Yes  
Maximum Flow Rate: 1.2 gpm  
(4.5 L/min) @60 psi

### CONTENTS

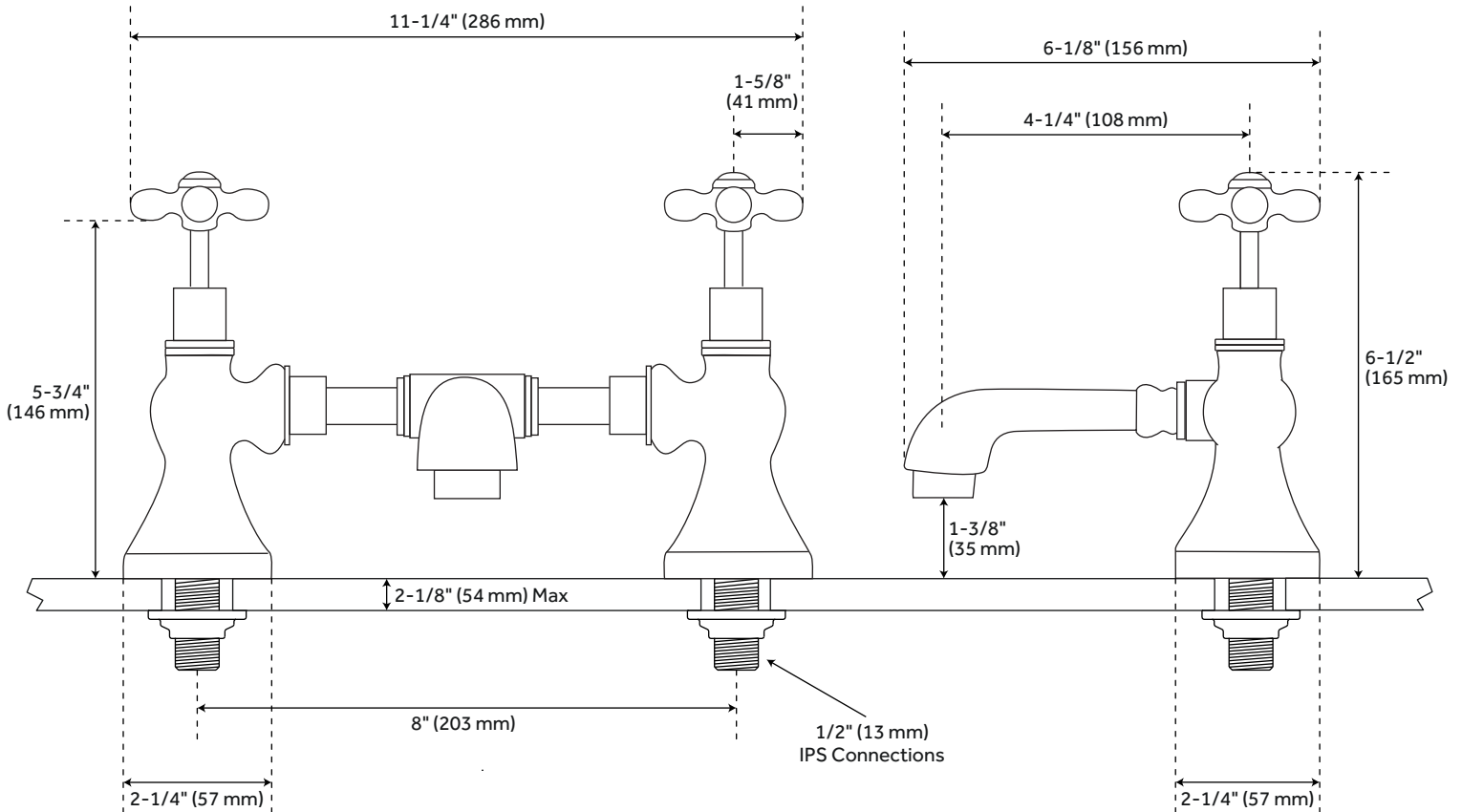
BATHROOM FAUCET ..... PAGE 2

REVISED 05/01/2020

# MONROE

## BRIDGE BATHROOM FAUCET - CROSS HANDLES

SKU: 918022



### FEATURES

Max. Countertop Thickness: 2-1/8"  
Faucet Centers: 8"  
Length: 11-1/4"  
Width: 6-1/8"  
Height: 6-1/2"  
Height To Spout: 1-3/8"  
Spout Reach: 4-1/4"  
Base Plate Diameter: 2-1/4"  
Handle Length: 1-5/8"  
Height to Bottom of Handle: 5-3/4"  
IPS: 1/2"  
Drain Size: 1-1/2"

### CODES/STANDARDS

cUPC  
ASME A112.18.1/CSA B125.1  
NSF/ANSI 61  
NSF/ANSI 372  
CEC Listed

### PRODUCT IMAGE



All dimensions and specifications are nominal and may vary. Use actual products for accuracy in critical situations.