

# EDWIN

## ACRYLIC SLIPPER TUB - LION PAW FEET

SKU: 916561



### FEATURES

Design: Traditional  
Product Finish: White  
Shape: Oval  
Material: Acrylic  
Exterior Treatment: Smooth  
Interior Treatment: Smooth  
Feet Type: Lion Paw  
Feet Material: Cast Aluminum  
Drain Included: Optional  
Drain Placement: End  
Faucet Included: No  
Faucet Drillings: No Drillings  
Built-In Adjusters: Yes

### CONTENTS

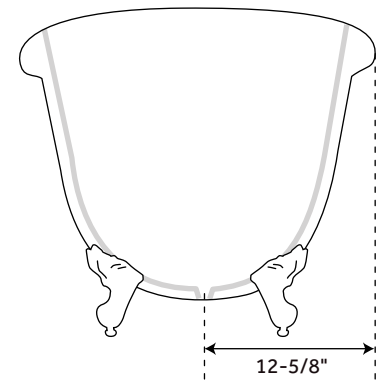
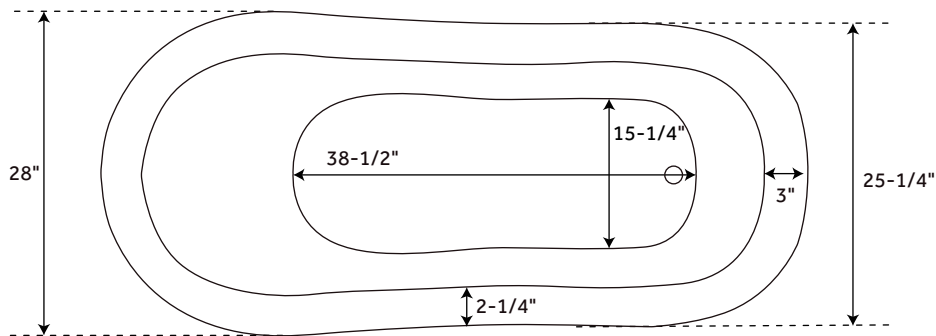
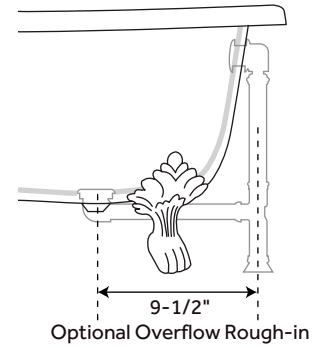
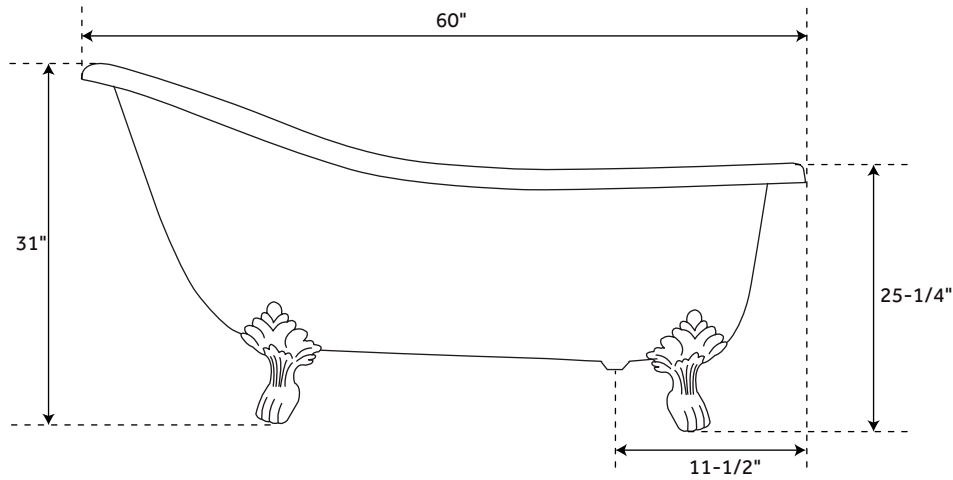
60" TUB ..... PAGE 2  
67" TUB ..... PAGE 3

REVISED 07/28/2020

# 60" EDWIN

## ACRYLIC SLIPPER TUB - LION PAW FEET

SKU: 916561



### FEATURES

Design: Traditional  
Product Finish: White  
Shape: Oval  
Material: Acrylic  
Exterior Treatment: Smooth  
Interior Treatment: Smooth  
Feet Type: Lion Paw  
Feet Material: Cast Aluminum  
Drain Included: Optional  
Drain Placement: End  
Faucet Included: No  
Faucet Drillings: No Drillings  
Built-In Adjusters: Yes  
Weight Uncrated: 85 lbs.  
Weight Crated: 195 lbs.  
Water Capacity With Overflow: 37 Gallons  
Water Capacity Without Overflow: 44 Gallons

### SIGNATURE HARDWARE LIFETIME WARRANTY

See website for warranty information



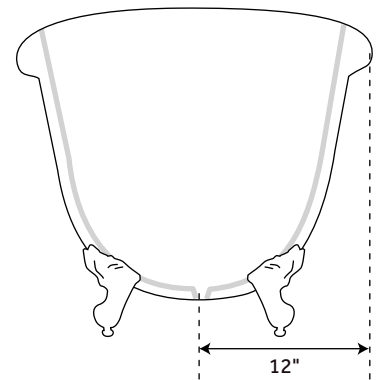
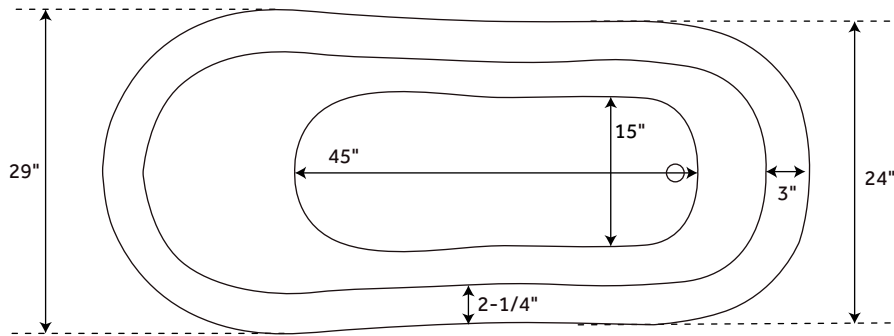
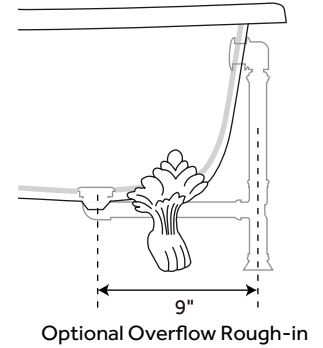
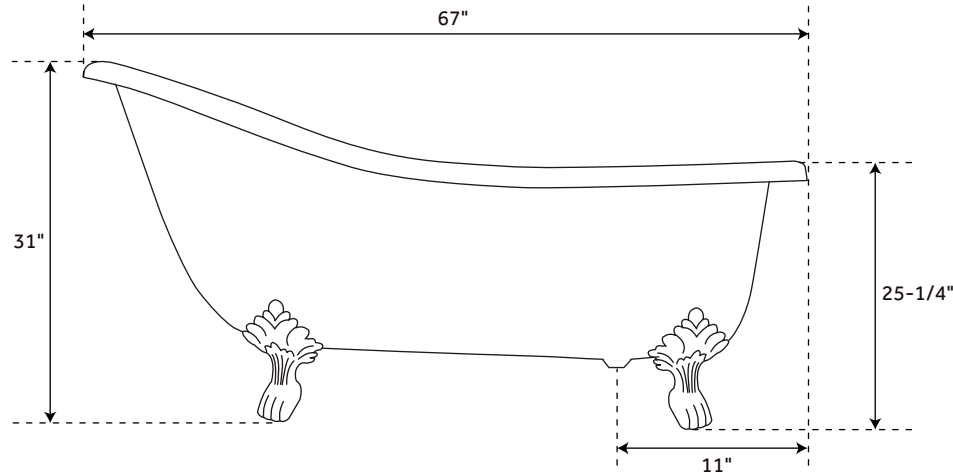
All measurements are approximate. Measurements may vary +/- 1/2".

PAGE 2

# 67" EDWIN

## ACRYLIC SLIPPER TUB - LION PAW FEET

SKU: 916561



### FEATURES

Design: Traditional  
Product Finish: White  
Shape: Oval  
Material: Acrylic  
Exterior Treatment: Smooth  
Interior Treatment: Smooth  
Feet Type: Lion Paw  
Feet Material: Cast Aluminum  
Drain Included: Optional  
Drain Placement: End  
Faucet Included: No  
Faucet Drillings: No Drillings  
Built-In Adjusters: Yes  
Weight Uncrated: 95 lbs.  
Weight Crated: 205 lbs.  
Water Capacity With Overflow: 37 Gallons  
Water Capacity Without Overflow: 44 Gallons

### SIGNATURE HARDWARE LIFETIME WARRANTY

See website for warranty information



All measurements are approximate. Measurements may vary +/- 1/2".

PAGE 3