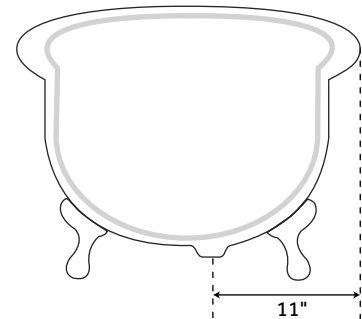
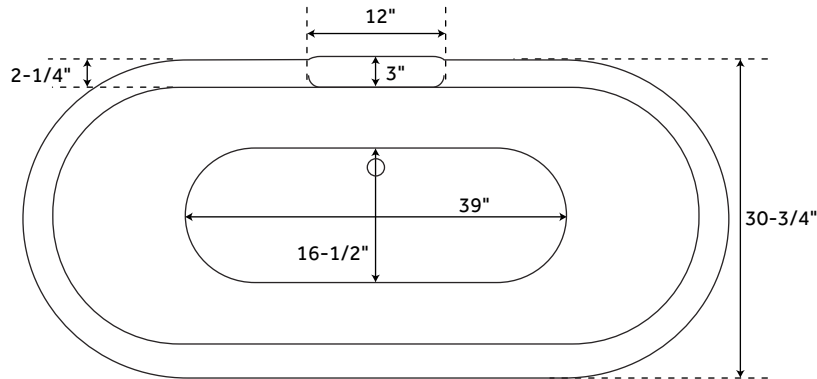
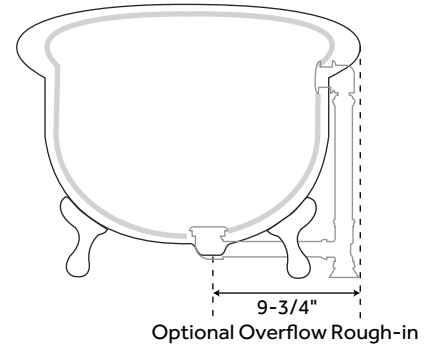
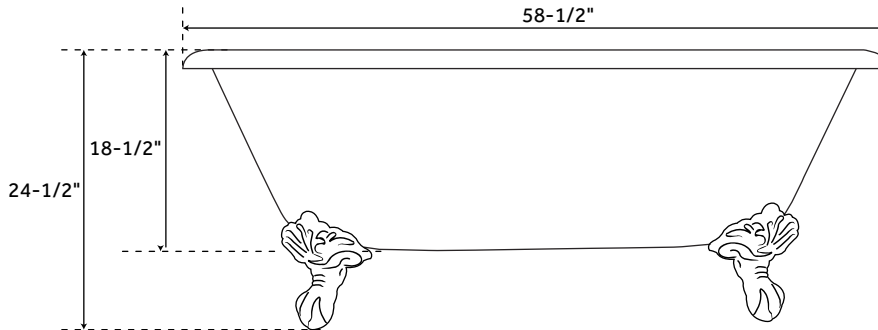


59" AUDREY

ACRYLIC CLAWFOOT TUB - LION PAW FEET

SKU: 913519



FEATURES

Design: Traditional
Product Finish: White
Shape: Oval
Material: Acrylic
Exterior Treatment: Smooth
Interior Treatment: Smooth
Feet Type: Lion Paw
Feet Material: Cast Aluminum
Drain Included: No
Drain Placement: Offset
Faucet Included: No
Built-In Adjusters: Yes
Water Capacity Without Overflow:
(Gallons): 46
Water Depth Without Overflow: 16-5/8"
Tub Weight Uncrated (lbs): 115
Tub Weight Crated (lbs): 340

SIGNATURE HARDWARE LIFETIME WARRANTY

See website for warranty information



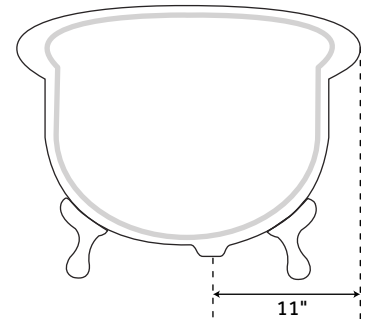
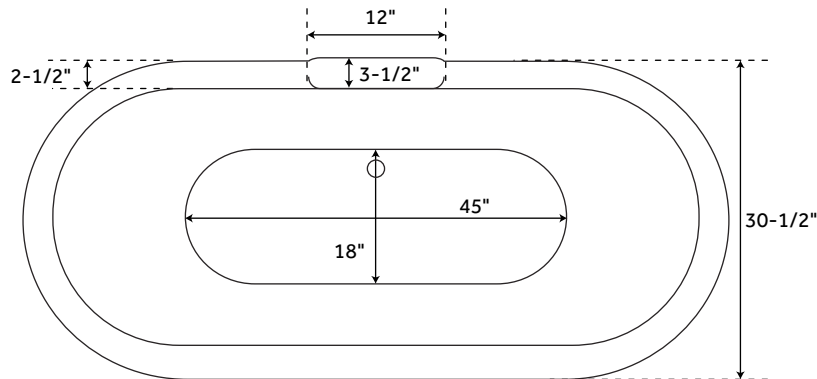
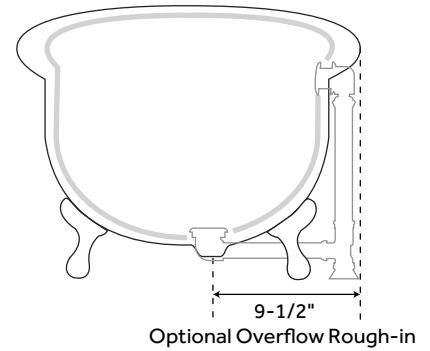
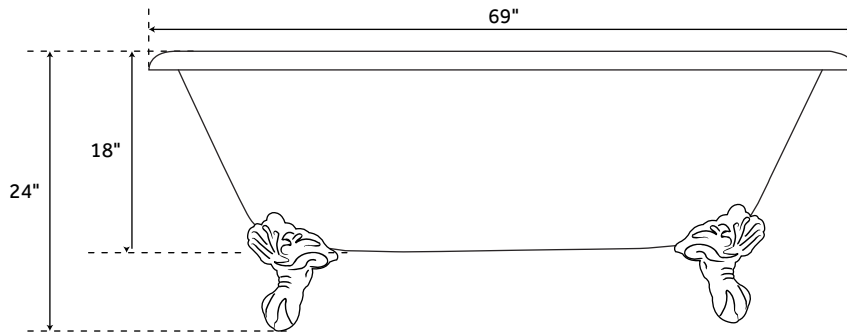
All measurements are approximate. Measurements may vary +/- 1/2".

REVISED 07/28/2020

69" AUDREY

ACRYLIC CLAWFOOT TUB - LION PAW FEET

SKU: 913519



FEATURES

Design: Traditional
Product Finish: White
Shape: Oval
Material: Acrylic
Exterior Treatment: Smooth
Interior Treatment: Smooth
Feet Type: Lion Paw
Feet Material: Cast Aluminum
Drain Included: No
Drain Placement: Offset
Faucet Included: No
Built-In Adjusters: Yes
Water Capacity Without Overflow (Gallons): 59
Water Depth Without Overflow: 17"
Tub Weight Uncrated (lbs): 115
Tub Weight Crated (lbs): 340

SIGNATURE HARDWARE LIFETIME WARRANTY

See website for warranty information



All measurements are approximate. Measurements may vary +/- 1/2".

REVISED 07/28/2020