

67" RIVERIA

ACRYLIC FREESTANDING TUB

SKU: 913492



FEATURES

Product Finish: White
Overflow Hole: Optional
Shape: Rectangle
Material: Acrylic
Length: 66-3/4"
Width: 29-1/2"
Height: 24"
Tub Interior Length: 46"
Tub Interior Width: 16-1/2"
Water Depth to Rim: 17-1/2"
Water Depth To Overflow: 14-3/4"
Tap Deck: No
Drain Included: Optional
Drain Placement: Center
Faucet Included: No
Faucet Drillings: No Drillings
Water Capacity (Gallons): 48/57
Built-In Adjusters: Yes
Tub Weight Uncrated (lbs): 200
Tub Weight Crated (lbs): 310

SIGNATURE HARDWARE Lifetime Warranty

See website for detailed warranty information.

CONTENTS

AIR TUB PAGE 2
67" TUB PAGE 3

REVISED 10/07/2019

67" RIVERIA AIR TUB

COMPONENTS LIST

- BM-TWP BALL CHECK VALVE JETS
- MANI-SD-A SECURITY DEVICE
- MAN-A-4-AC MANIFOLD
- SILVER SLS+ VARIABLE SPEED BLOWER

INSTALLATION

Install blower behind a wall (with an access panel) or in a closet. Blower can also be installed under floor. Ensure the security device, MANI-DS-A, is at least:

- 2" Above the tub rim

Security device and hose can be mounted in wall

REMOTE CONTROL

- CG+/RTC-SENSOR-WP
- 12 – 15 YEAR BATTERY LIFE

INSIDE OF BATH

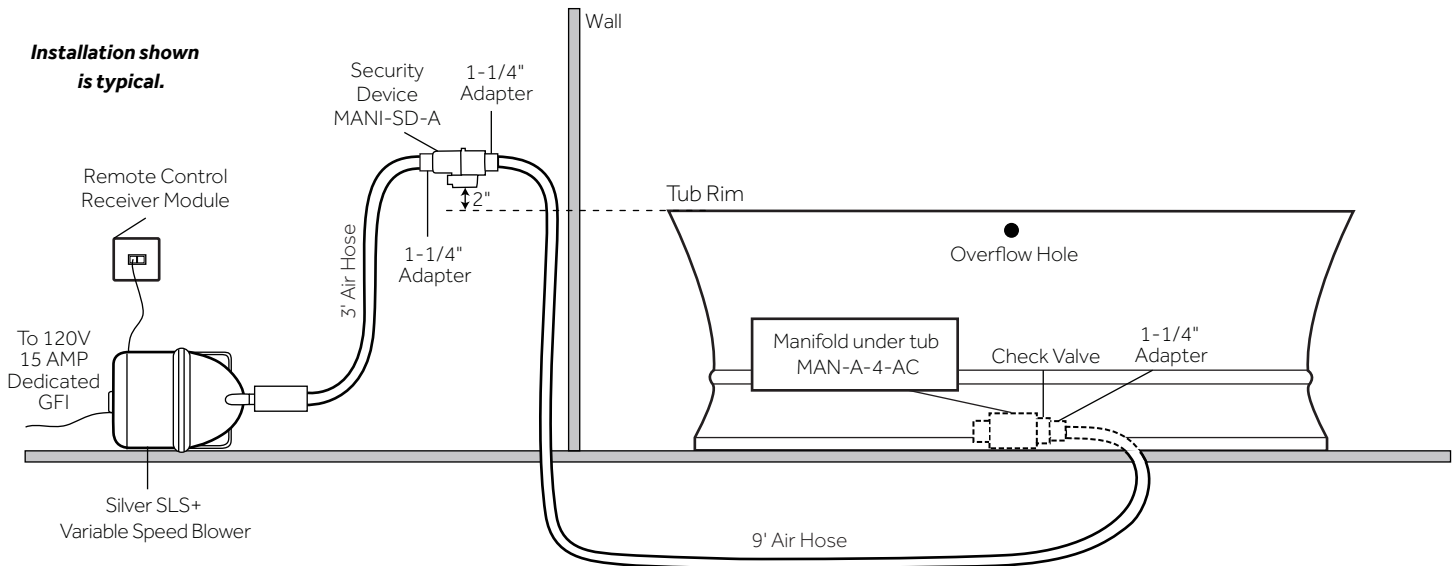
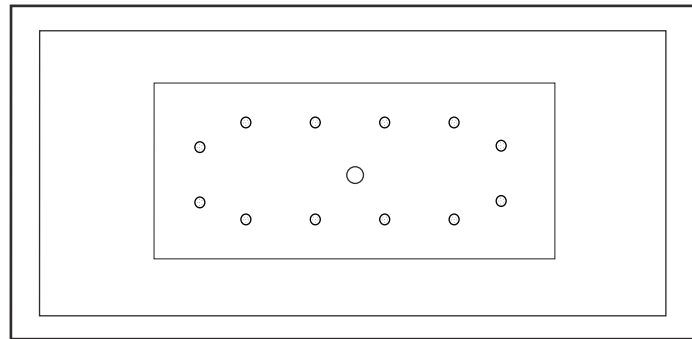
- (12) MAXI AIR JETS WITH 24 OPENINGS



ELBOWS FOR AIR JETS



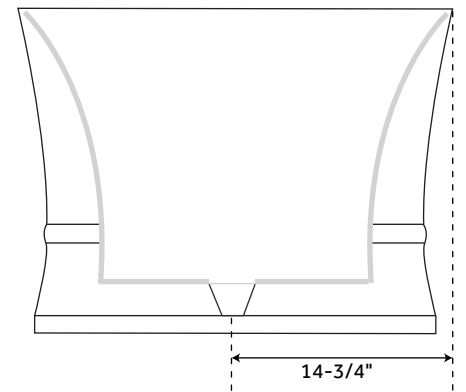
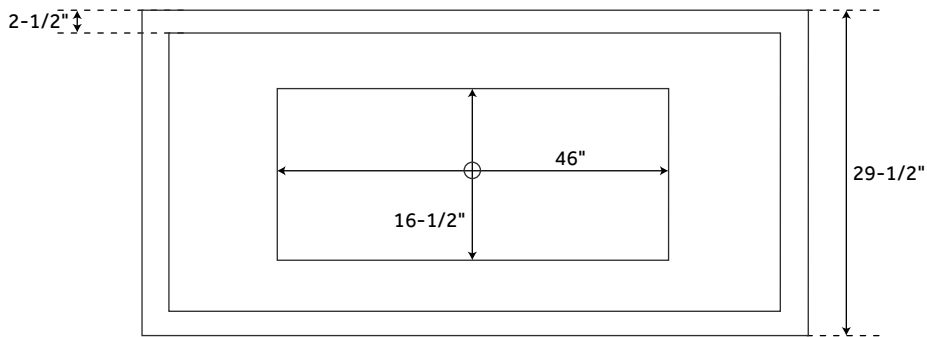
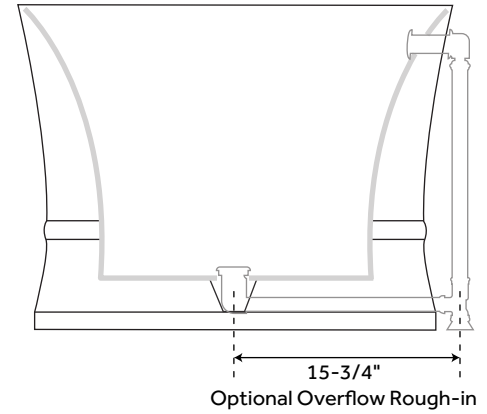
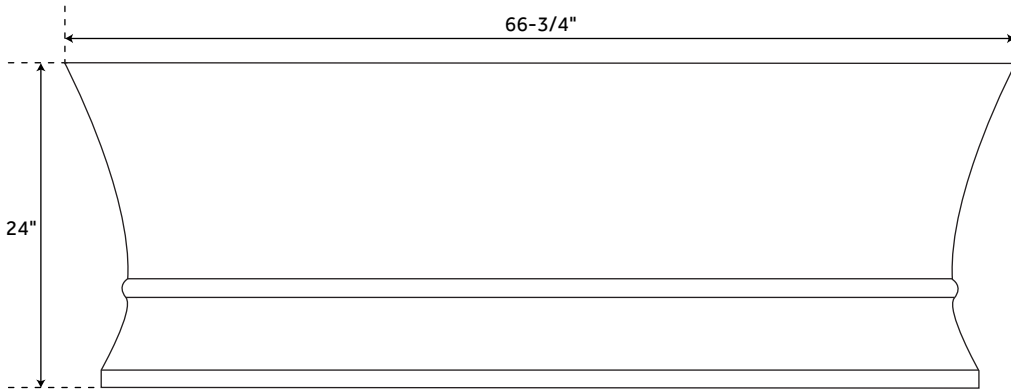
TEES FOR AIR JETS



67" RIVERIA

ACRYLIC FREESTANDING TUB

SKU: 913492



FEATURES

- Product Finish: White
- Overflow Hole: Optional
- Shape: Rectangle
- Material: Acrylic
- Length: 66-3/4"
- Width: 29-1/2"
- Height: 24"
- Tub Interior Length: 46"
- Tub Interior Width: 16-1/2"
- Water Depth to Rim: 17-1/2"
- Water Depth To Overflow: 14-3/4"
- Tap Deck: No
- Drain Included: Optional
- Drain Placement: Center
- Faucet Included: No
- Faucet Drillings: No Drillings
- Water Capacity (Gallons): 48/57
- Built-In Adjusters: Yes
- Tub Weight Uncrated (lbs): 200
- Tub Weight Crated (lbs): 310

SIGNATURE HARDWARE LIFETIME WARRANTY

See website for warranty information



All dimensions and specifications are nominal and may vary. Use actual products for accuracy in critical situations.

PAGE 3