

67" GIANA

ACRYLIC SLIPPER TUB

SKU: 912803



FEATURES

Product Finish: White
Overflow Hole: Yes
Shape: Oval
Length: 67"
Width: 28-1/2"
Height: 29"
Tub Interior Length: 47-1/2"
Tub Interior Width: 18"
Tub Slope: 32°
Water Depth to Rim: 19"
Water Depth To Overflow: 16-1/4"
Tap Deck: No
Drain Included: Yes
Drain Placement: End
Faucet Included: No
Faucet Drillings: No Drillings
Water Capacity (Gallons): 70
Built-In Adjusters: Yes
Tub Weight Uncrated (lbs): 200
Tub Weight Crated (lbs): 310

SIGNATURE HARDWARE Lifetime Warranty

See website for detailed warranty information.

CONTENTS

AIR TUB	PAGE 2
67" TUB	PAGE 3

REVISED 10/07/2019

67" GIANA AIR TUB

COMPONENTS LIST

- BM-TWP BALL CHECK VALVE JETS
- MANI-SD-A SECURITY DEVICE
- MAN-A-4-AC MANIFOLD
- SILVER SLS+ VARIABLE SPEED BLOWER

INSTALLATION

Install blower behind a wall (with an access panel) or in a closet. Blower can also be installed under floor. Ensure the security device, MANI-SD-A, is at least:

- 2" Above the tub rim

Security device and hose can be mounted in wall

REMOTE CONTROL

- CG+/RTC-SENSOR-WP
- 12 – 15 YEAR BATTERY LIFE

INSIDE OF BATH

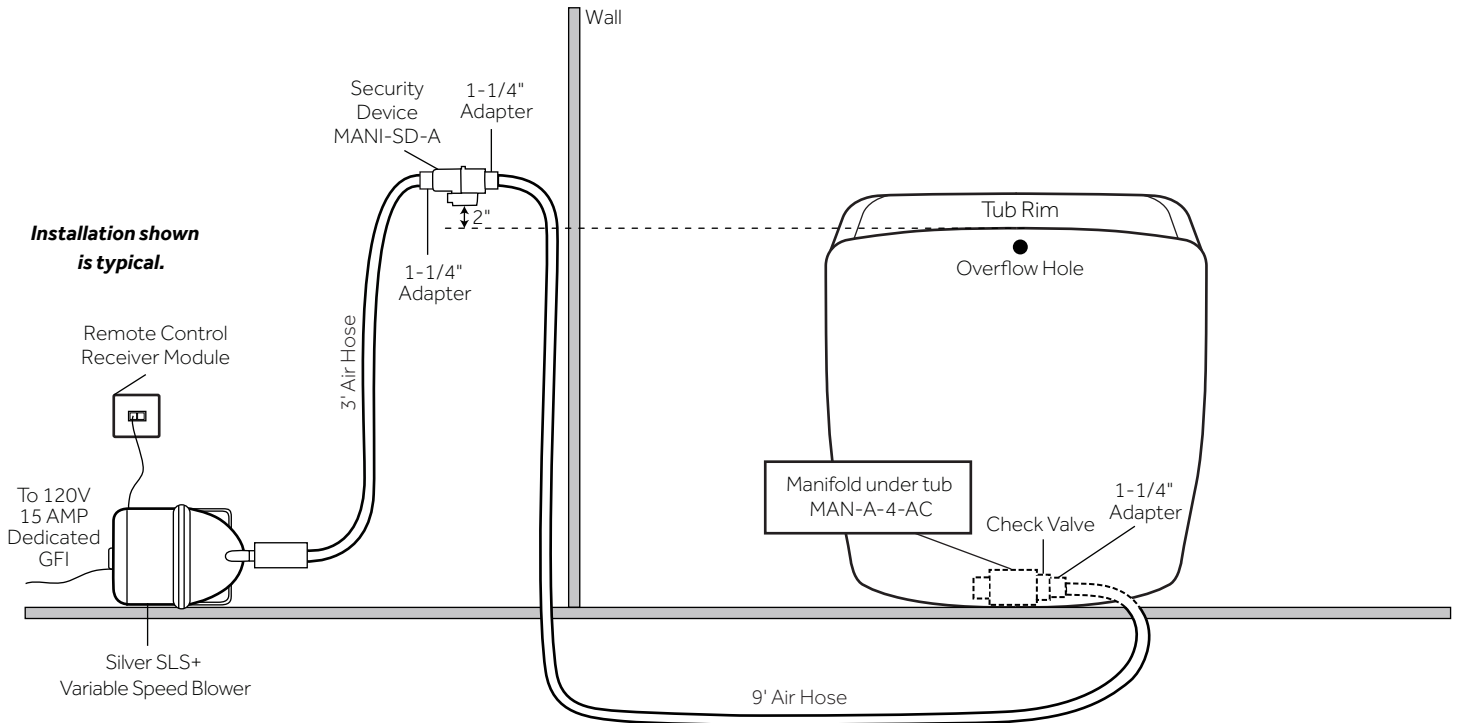
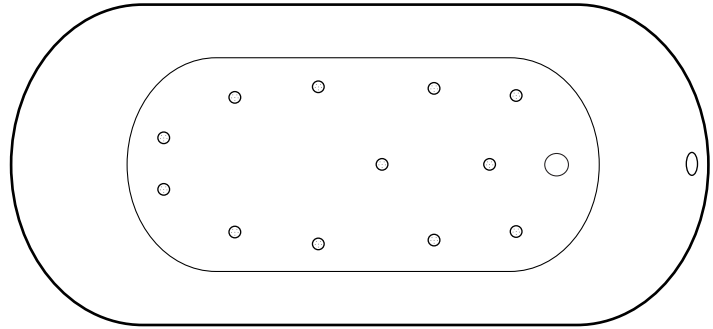
- (12) MAXI AIR JETS WITH 24 OPENINGS



ELBOWS FOR AIR JETS



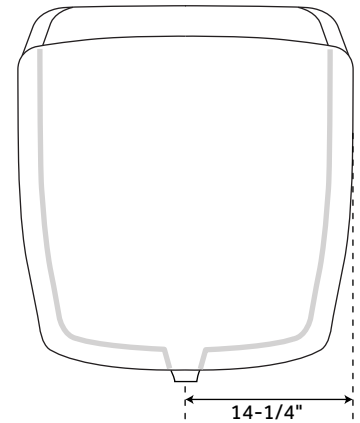
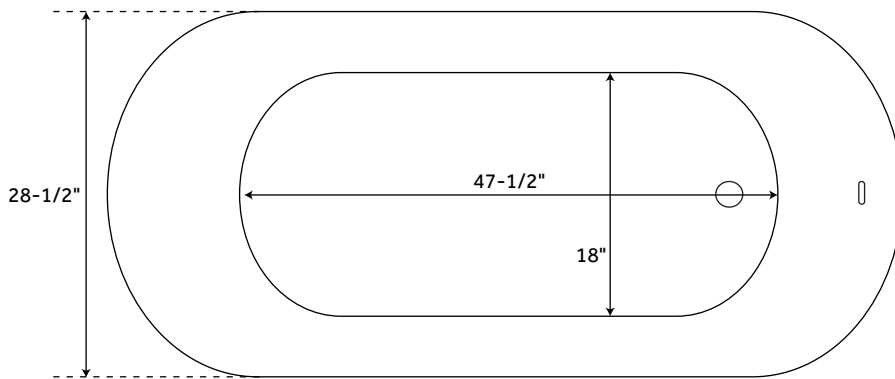
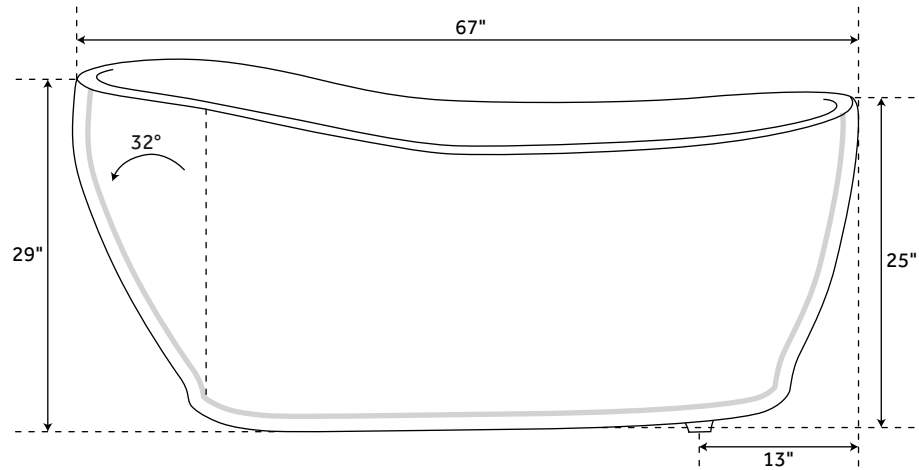
TEES FOR AIR JETS



67" GIANA

ACRYLIC SLIPPER TUB

SKU: 912803



FEATURES

- Product Finish: White
- Overflow Hole: Yes
- Shape: Oval
- Length: 67"
- Width: 28-1/2"
- Height: 29"
- Tub Interior Length: 47-1/2"
- Tub Interior Width: 18"
- Tub Slope: 32°
- Water Depth to Rim: 19"
- Water Depth To Overflow: 16-1/4"
- Tap Deck: No
- Drain Included: Yes
- Drain Placement: End
- Faucet Included: No
- Faucet Drillings: No Drillings
- Water Capacity (Gallons): 70
- Built-In Adjusters: Yes
- Tub Weight Uncrated (lbs): 200
- Tub Weight Crated (lbs): 310

SIGNATURE HARDWARE LIFETIME WARRANTY

See website for warranty information



All dimensions and specifications are nominal and may vary. Use actual products for accuracy in critical situations.

PAGE 3