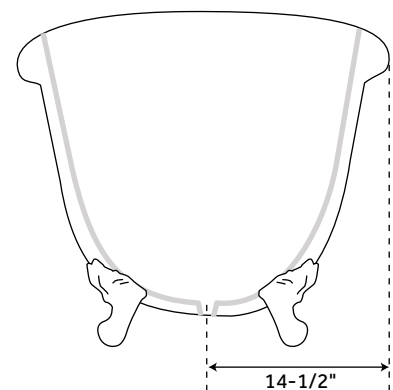
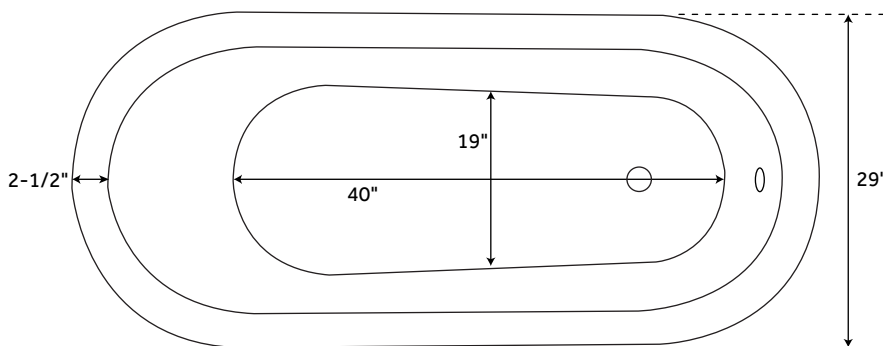
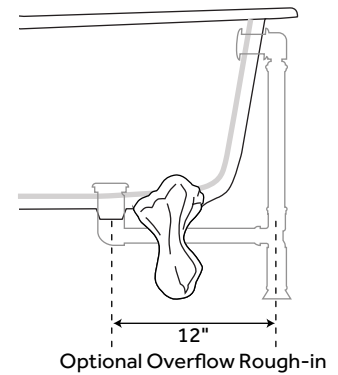
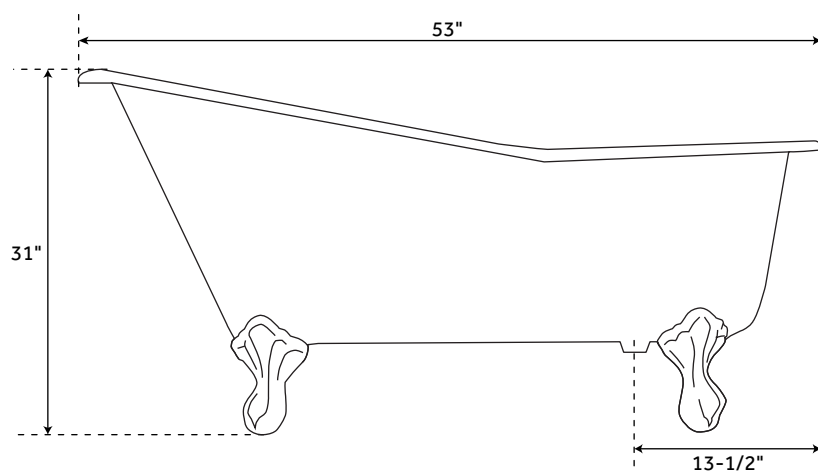


# 53" NORAH

## VICTORIAN COPPER SLIPPER CLAWFOOT TUB - NICKEL INTERIOR

SKU: 909284



### FEATURES

Product Finish: Antique Copper Patina  
Features: Press & Seal Drain  
Overflow Hole: Optional  
Shape: Oval  
Water Depth to Rim: 15-3/4"  
Water Depth To Overflow: 13"  
Exterior Treatment: Smooth  
Interior Treatment: Polished  
Feet Type: Lion Paw  
Metal Gauge/Thickness: 16 Gauge  
Tap Deck: No  
Drain Included: Optional  
Drain Placement: End  
Faucet Included: No  
Faucet Drillings: No Drillings  
Length: 53"  
Width: 29"  
Height: 20" - 31"  
Water Capacity With Overflow (Gallons): 42  
Tub Weight Uncrated (lbs): 75  
Tub Weight Crated (lbs): 182

### SIGNATURE HARDWARE LIFETIME WARRANTY

See website for warranty information



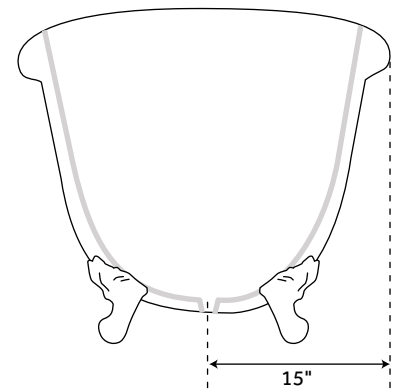
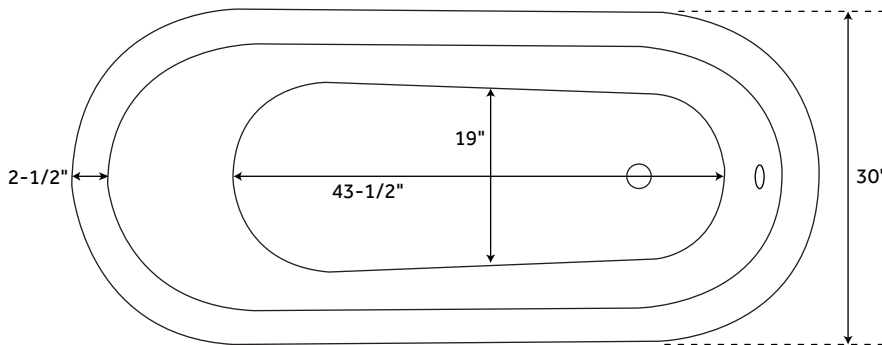
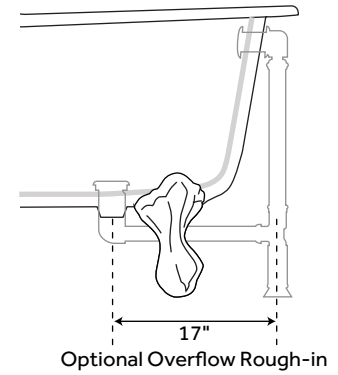
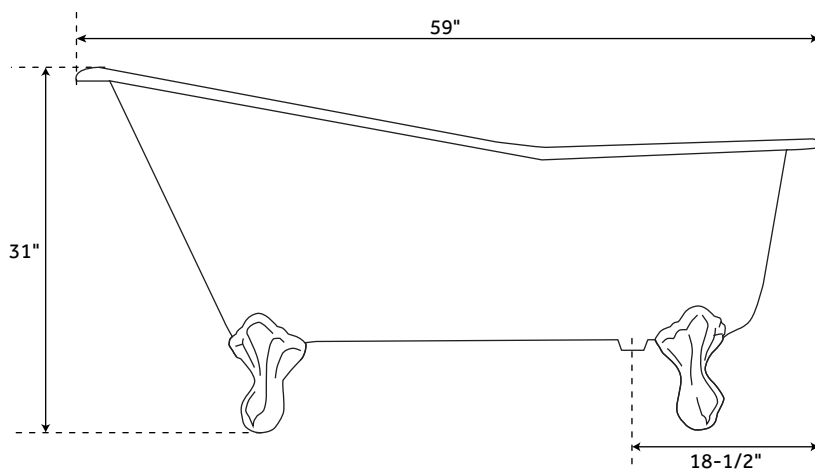
All measurements are approximate. Measurements may vary +/- 1/2".

REVISED 09/09/2019

# 59" NORAH

## VICTORIAN COPPER SLIPPER CLAWFOOT TUB - NICKEL INTERIOR

SKU: 909284



### FEATURES

Product Finish: Antique Copper Patina  
Features: Press & Seal Drain  
Overflow Hole: Optional  
Shape: Oval  
Water Depth to Rim: 15-3/4"  
Water Depth To Overflow: 13"  
Exterior Treatment: Smooth  
Interior Treatment: Polished  
Feet Type: Lion Paw  
Metal Gauge/Thickness: 16 Gauge  
Tap Deck: No  
Drain Included: Optional  
Drain Placement: End  
Faucet Included: No  
Faucet Drillings: No Drillings  
Length: 59"  
Width: 30"  
Height: 22" - 31"  
Water Capacity With Overflow (Gallons): 45  
Tub Weight Uncrated (lbs): 75  
Tub Weight Crated (lbs): 182

### SIGNATURE HARDWARE LIFETIME WARRANTY

See website for warranty information



All measurements are approximate. Measurements may vary +/- 1/2".

REVISED 09/09/2019