

# TWIST AND TURN

DRAIN - 1-1/2"

SKU: 900405



**FEATURES**

- Material: Brass
- Overflow Hole: No
- Drain for Handmade Sinks

**CONTENTS**

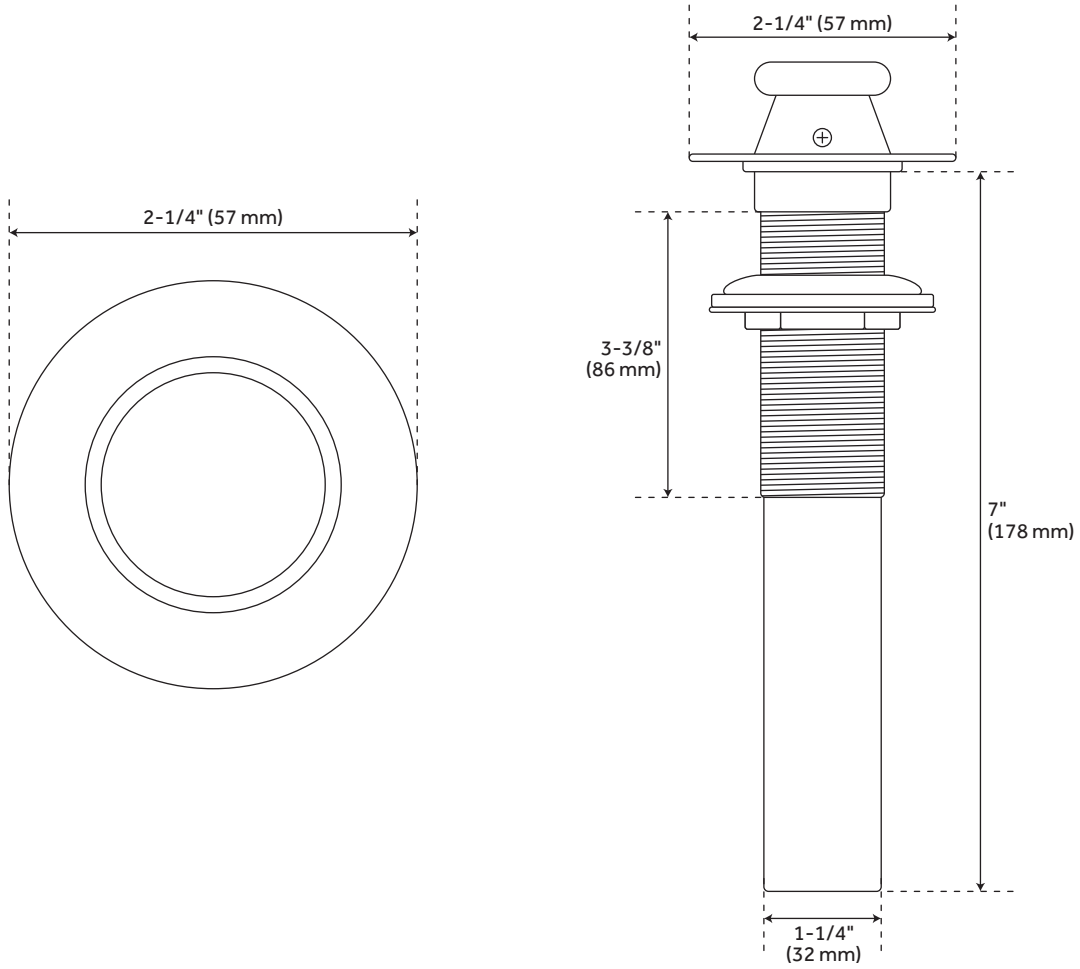
SINK DRAIN ..... PAGE 2

REVISED 08/06/2020

# TWIST AND TURN

DRAIN - 1-1/2"

SKU: 900405



## FEATURES

Drain Flange Diameter: 2-1/4"

## CODES/STANDARDS

cUPC  
ASME A112.18.2/CSA B125.2

## PRODUCT IMAGE



All dimensions and specifications are nominal and may vary. Use actual products for accuracy in critical situations.

PAGE 2  
Code: SH321