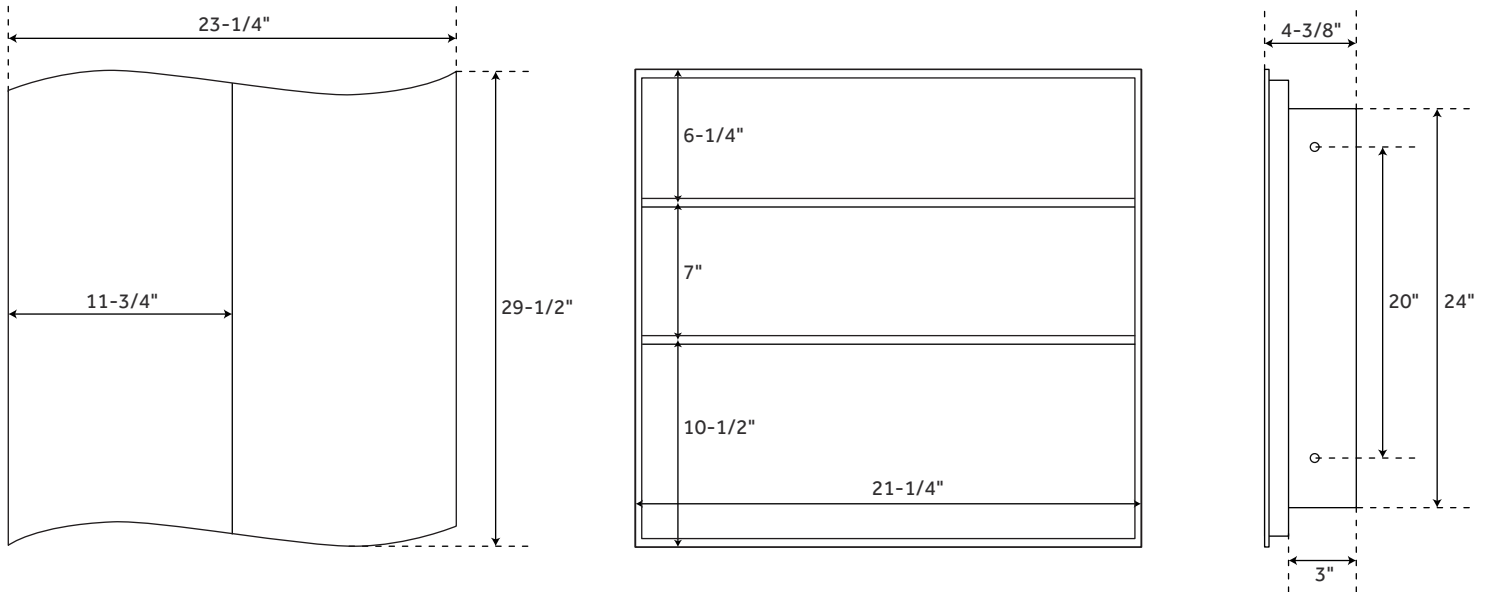


# GATEWOOD

## STAINLESS STEEL RECESSED MEDICINE CABINET - WHITE POWDER COAT

SKU: 355452



### FEATURES

Product Finish: White Powder Coat  
Features: Frameless, Mirrored  
Material: Stainless Steel  
Design: Modern  
Mirror Shape: Rectangle  
Number of Doors: 2  
Width: 23-1/4"  
Height: 29-1/2"  
Depth: 4-3/8"  
Assembly Required: No  
Mirror Only Width: 23-1/4"  
Mirror Only Height: 29-1/2"  
Number of Shelves: 2  
Adjustable Shelves: No

### SIGNATURE HARDWARE LIFETIME WARRANTY

See website for warranty information



All dimensions and specifications are nominal and may vary. Use actual products for accuracy in critical situations.

REVISED 09/10/2019