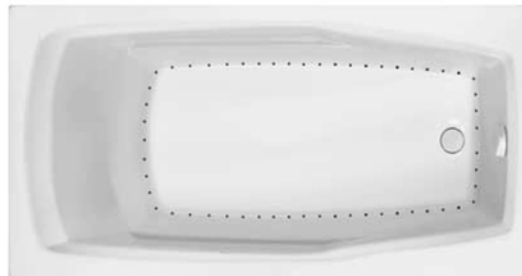
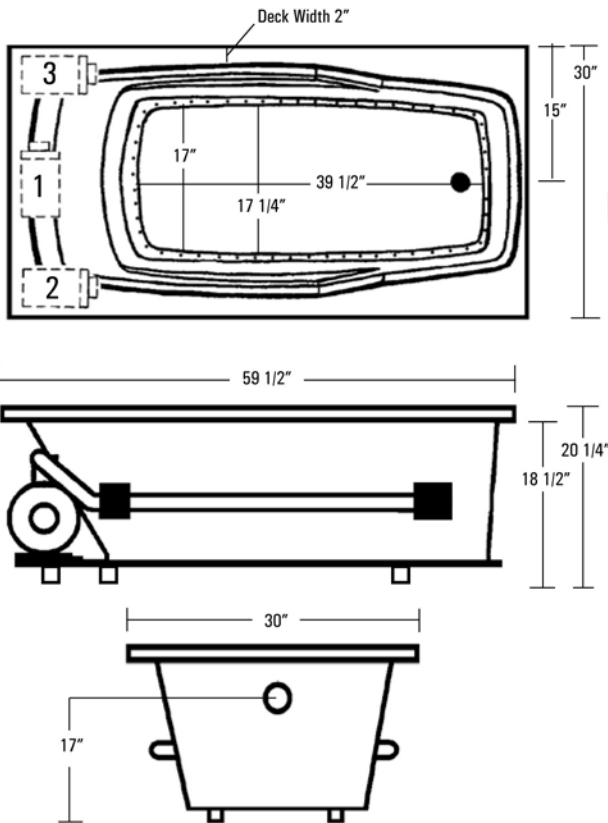


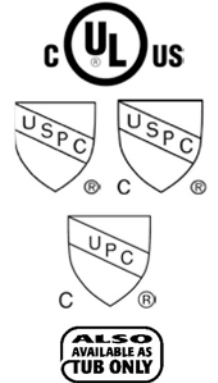
AQUATIC

SYMPHONY 15

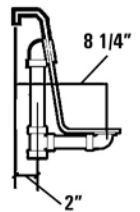
SYMPHONY SERIES MODEL # AISE6030SY / AISE6030SYAIR / AISE6030SYTO



Symphony 15 with air shown



Rough-In Plumbing Measurements



SPECIFICATIONS:

GENERAL SPECIFICATIONS:

Tub Size	59 1/2" x 30" x 20 1/4" 151 cm x 76 cm x 51 cm
Bathing Well	39 1/2" long 17 1/4" wide 18 5/8" interior depth
Maximum Water Depth	12 1/2"
Shipping Weight	144 lbs. / 65 kg
Tub Weight Filled	480 lbs. / 218 kg
Tub Only Weight	105 lbs. / 48 kg
Gallons to Overflow	45 gal. / 170 L
Gallons to Operate	41 gal. / 155 L

ELECTRICAL SPECIFICATIONS:

Air Bath Blower/Heater Requirement	.80 HP, 5 AMP, 120V 15 AMP; 120V, separate circuit required protected w/ Class A GFCI
------------------------------------	--

STANDARD EQUIPMENT:

- Air Bath:**
- .80 HP Blower
 - 300 Watt Air Heating System
 - Automatic Purge and Dry Cycle
 - Air Channels Lined with Antimicrobial Coatings

- Aquatic Quality Features (Air Bath and Whirlpool Bath):**
- Bath-Side On/Off Air Button
 - "Quiet Pad" Anti-Vibration Pump Mount for Quiet Pump Operation
 - Heat-bent Rigid PVC Piping for Optimum Sanitary Conditions
 - 2 Arm Rests
 - Color Matched Trim and Jets (Select Colors)
 - Slip Resistant Floor
 - Durable, Easy to Clean, Lucite® Cast Acrylic Surface
 - Available in 8 Standard No-Charge Colors
- UL & IAPMO Listed, Factory Tested
Limited 10 Year Warranty**

All acrylic colors featured by Aquatic match the industry's leading fixture manufacturers.

Each Symphony Air Bath model is equipped with a 300 watt air heating system to raise the temperature of the air going into the bath. This air temperature will be less than the bathing temperature of the water, but will help to reduce a rapid decrease in water temperature. In addition, the air coming from the air jets will feel cool against the skin, just as a breeze on a warm day cools your body. This system does not heat the water.

The manufacturer accepts a 1/4" variance. There are variations on each tub and specifications are subject to change as we improve upon our product as required. The dimensions needed for site preparation and structure building should be measured from the tub; Aquatic Industries, Inc. assumes no responsibility for preparatory work. www.aquaticwhirlpools.com 800.555.5324