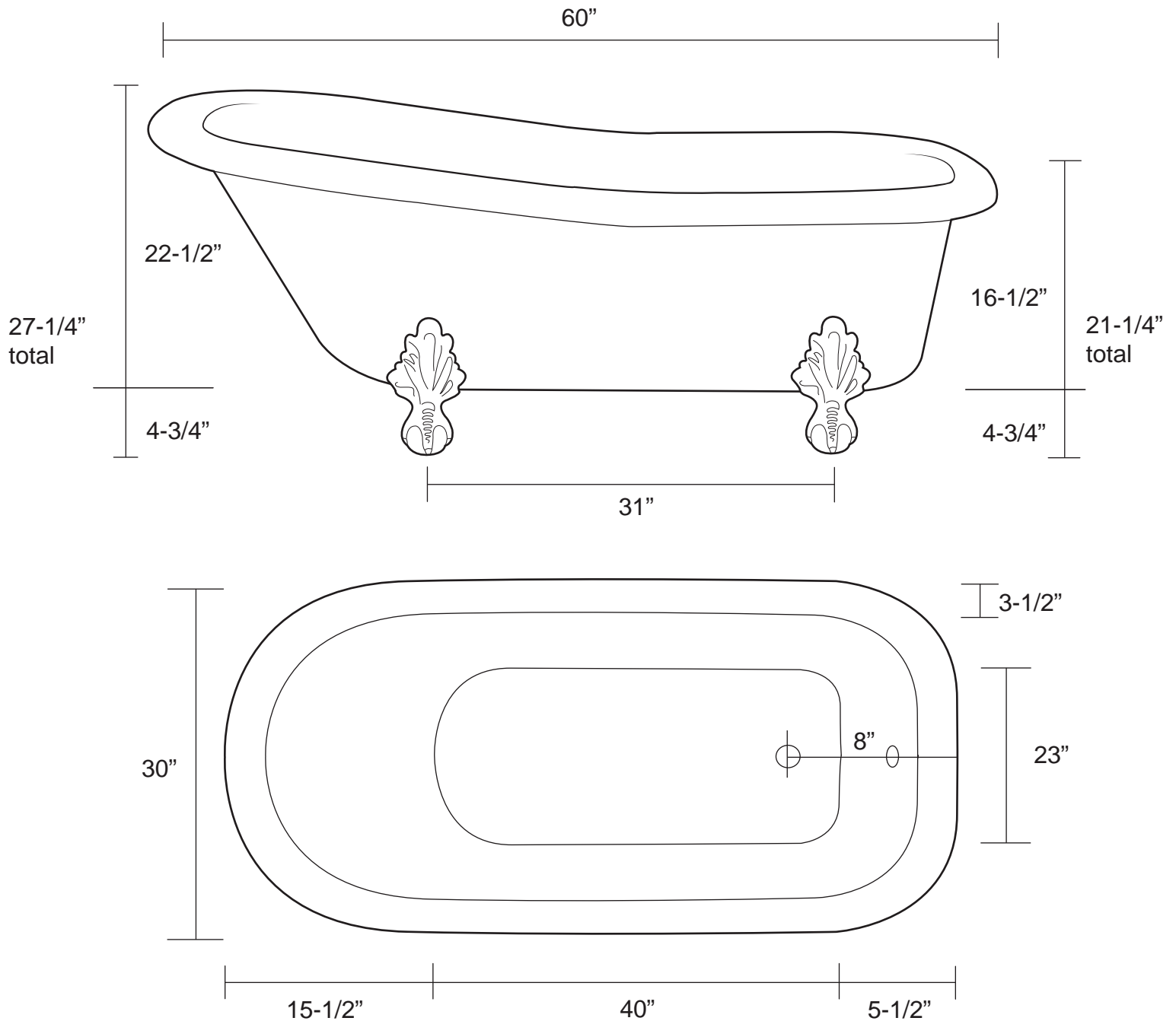


60" Acrylic Ambassador Slipper Tub

Tub Dimensions: 60" L x 30" W x 21-1/4" - 27-1/4" H

Tub water capacity: 45 gallons

Tub Weight Uncrated: 140 lbs.



Tub is 16-1/2" deep at drain.

Overflow hole diameter is 2-1/4"

Water depth to overflow is 12" H on continuous rolled rim tubs, and 14" H on tubs with rim holes.

All measurements are approximate. Measurements may vary +/- 1/2".