

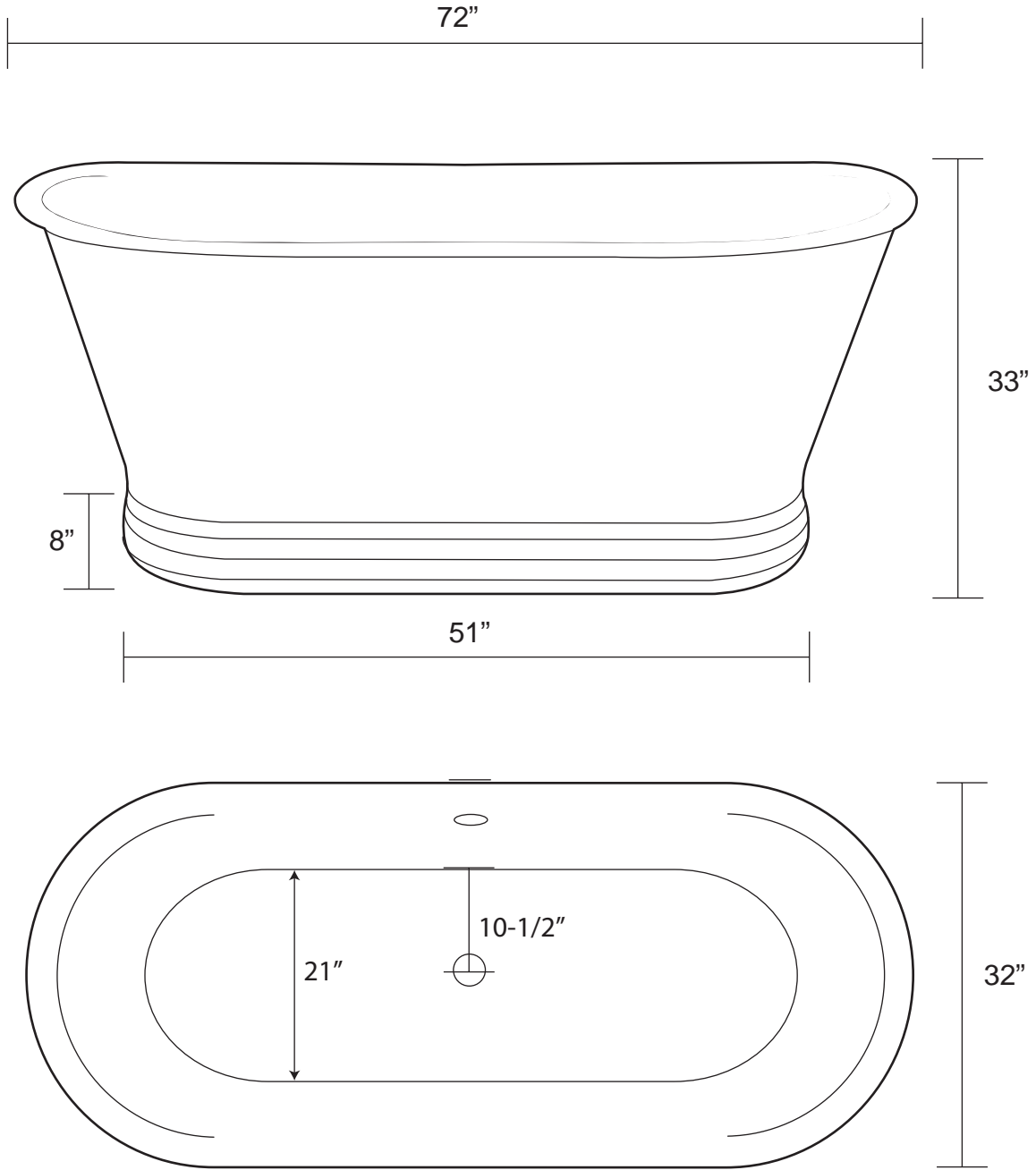
# Copper Double-Ended Tub

Hammered Exterior and Interior

Tub Dimensions: 72" L x 32" W x 33" H

Water Capacity: 115 Gallons

Tub Weight Uncrated: 170 lbs. Tub Weight Crated: 325 lbs.



Water depth to overflow is 24" H.

Overflow hole is 1-1/2" diameter.

Tub rim is 3" wide.

All measurements are approximate. Measurements may vary +/- 1/2".