

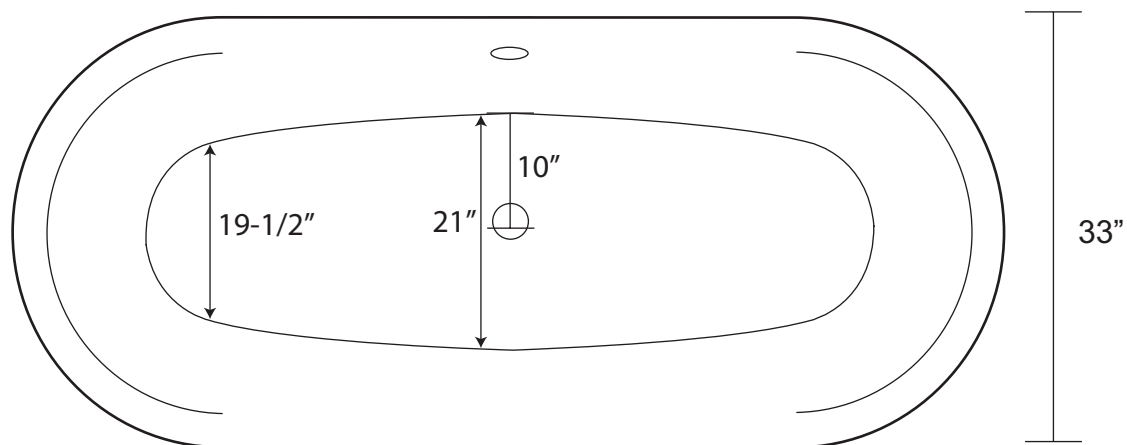
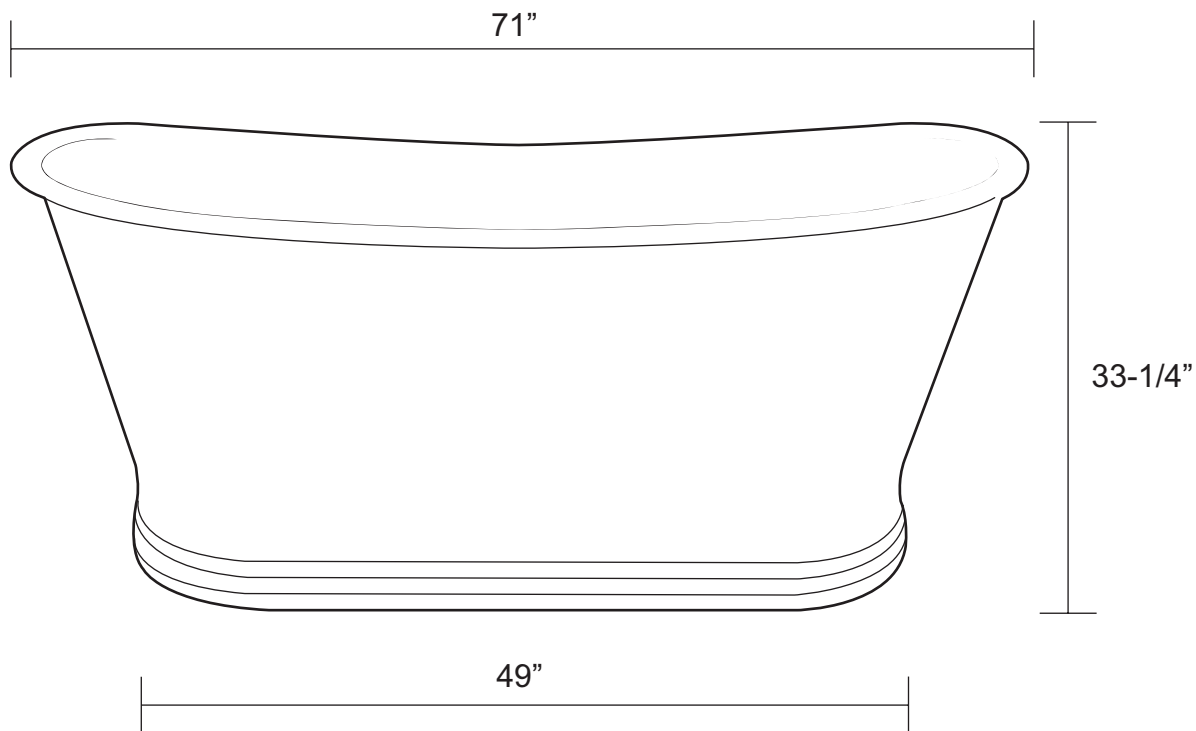
Copper Double Slipper

Smooth Shiny Exterior with Smooth Tinned Interior

Tub Dimensions: 71" L x 33" W x 33-1/4" H

Water Capacity: 105 Gallons

Tub Weight Uncrated: 170 lbs. Tub Weight Crated: 325 lbs.



Water depth to overflow is 19" H.

Overflow hole is 1-1/2" diameter.

Tub rim is 2-5/8" wide.

All measurements are approximate. Measurements may vary +/- 1/2".