

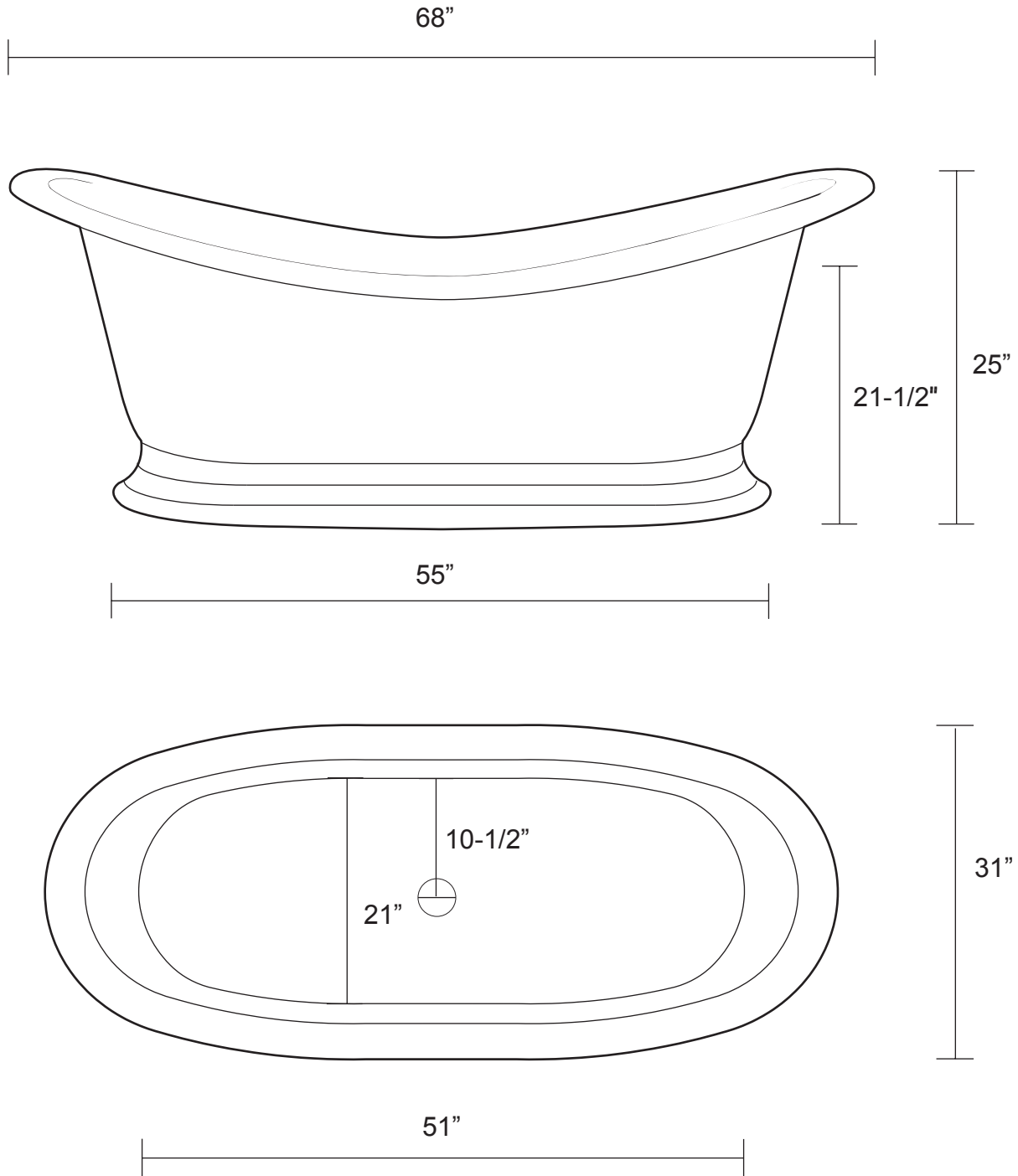
Copper Double Slipper Tub

Smooth Interior and Mosaic Exterior

Tub Dimensions: 68" L x 31" W x 21-1/2" - 25" H.

Tub Water Capacity: 55 gallons.

Tub Weight Uncrated: 170 lbs. Tub Weight Crated: 395 lbs.



Tub rim is 2-3/4" wide.

Water depth to overflow is 11-1/2" H.

Overflow hole diameter is 1-1/2".

All measurements are approximate. Measurements may vary +/- 1/2".