

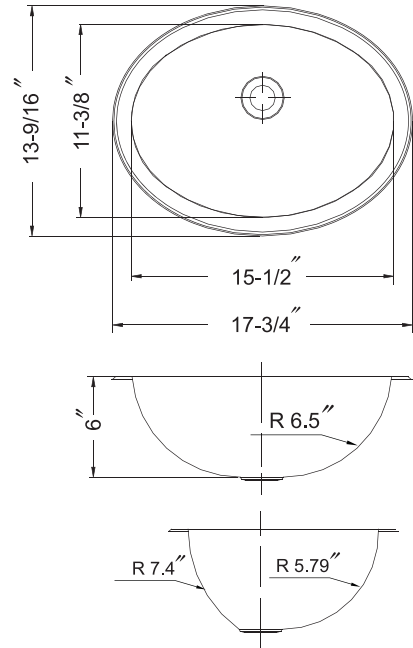
CLUB LAVATORY SERIES

Undermount Lavatory Oval Sink



FEATURES

- Premium grade T-304 stainless steel
- 6" depth • 18 gauge
- StoneGuard™ undercoating
- SpecPlus™ edge
- Lustrous satin with highlighted rim
- Fits 24" sink base
- 1-1/2" drain opening
- Supplied with cutout template, fasteners and instructions
- Complies with ASME A112.19.3-2000, UPC®
- Lifetime Limited Warranty



OVERALL DIMENSIONS	EACH BOWL	CUTOUT SIZE	PACKAGING*	WEIGHT*
17-3/4" x 13-9/16"	15-1/2" x 11-3/8"	See Template	1/32/40 pcs.	7/260/260 lbs.

All dimensions are in inches. Specifications subject to change without notice.

Installation profile

