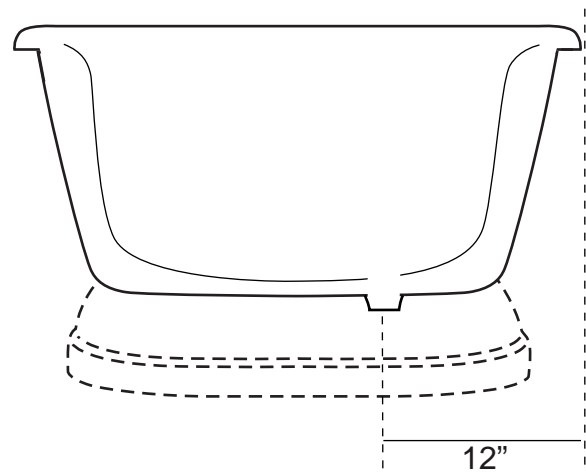
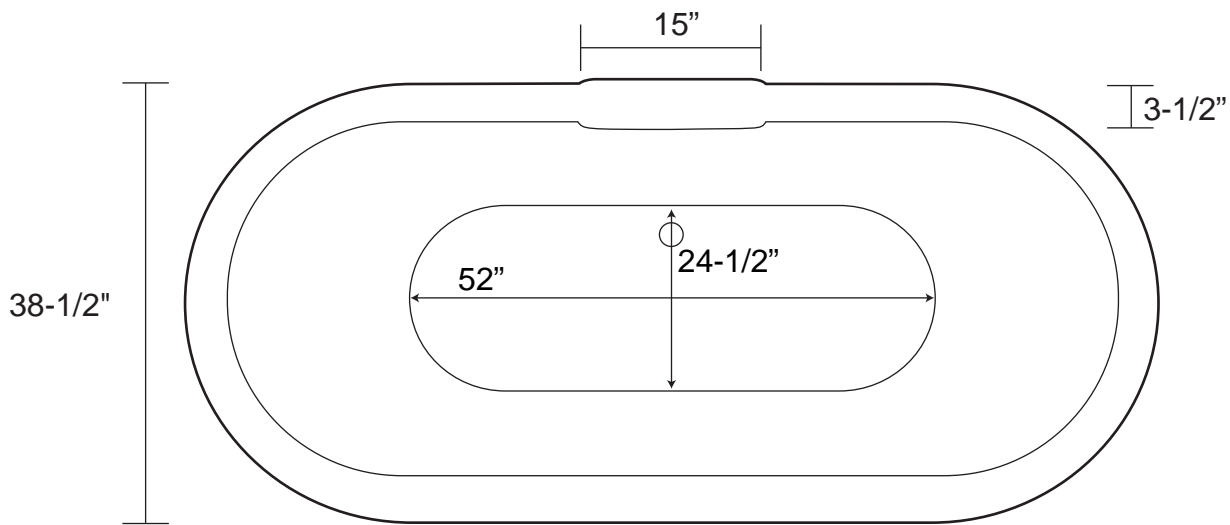
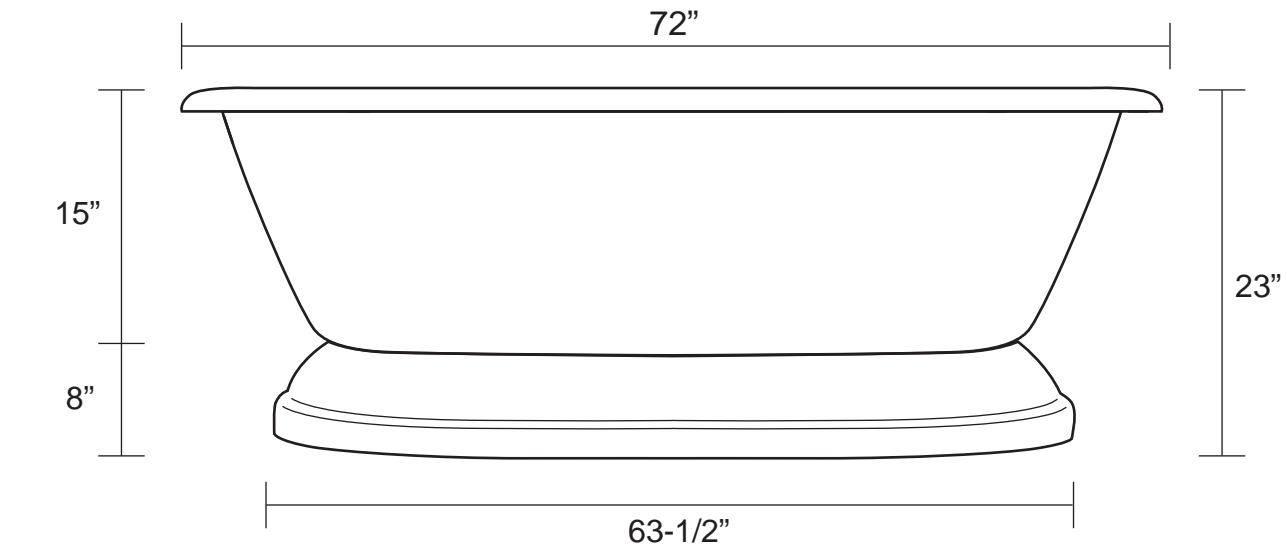


Liam Double Ended Tub on Plinth - 72"

Tub Dimensions: 72" L x 38-1/2" W x 23" H

Tub water capacity: 94 gallons

Tub Weight Uncrated: 116 lbs. Tub Weight Crated: 341 lbs.



Water depth is 17" H to top of tub.
All measurements are approximate.
Measurements may vary +/- 1/2".