

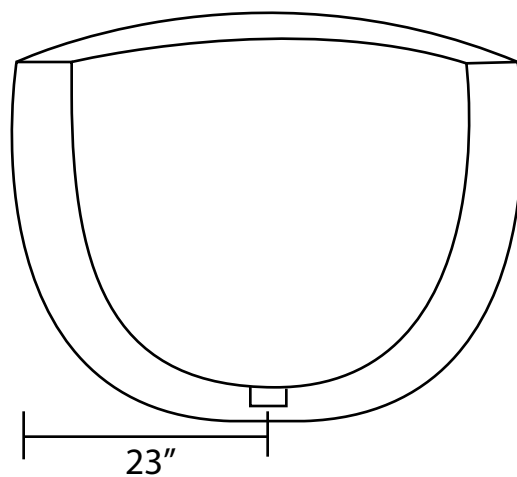
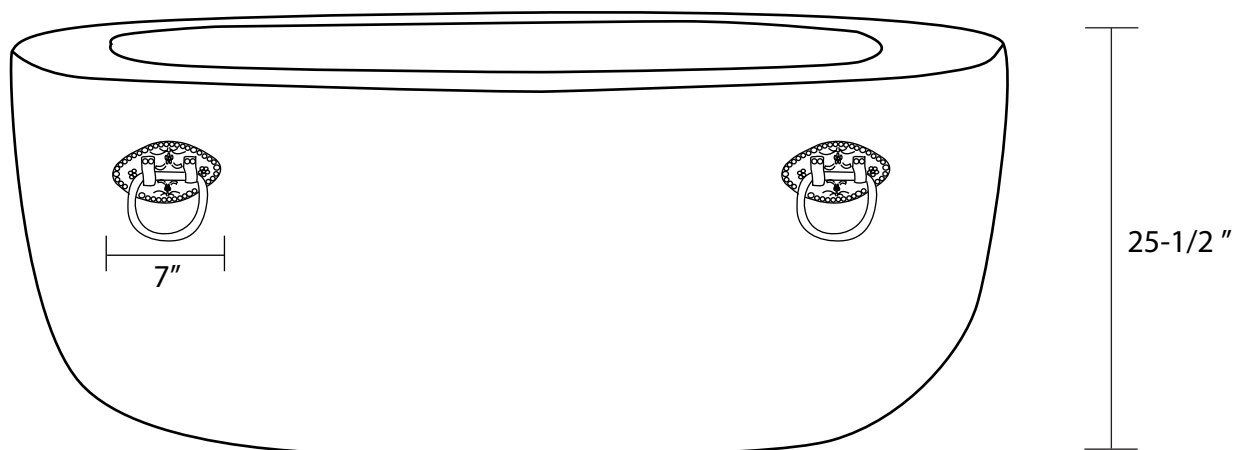
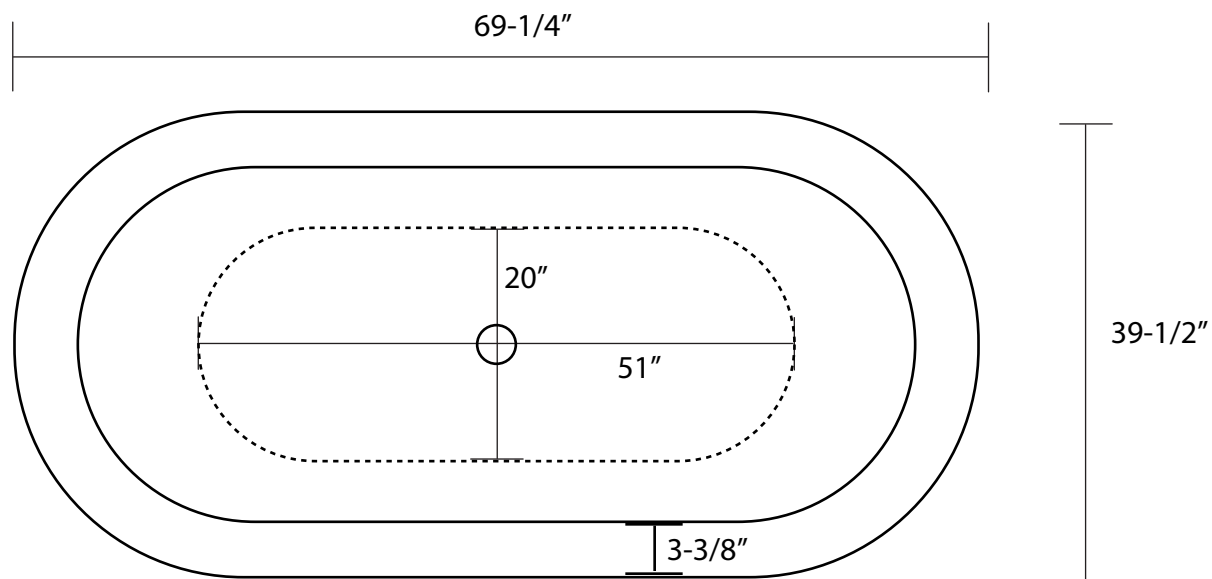
69" Brianna Double-Walled Copper Bathtub

Hammered Exterior and Interior

Tub Dimensions: 69-1/4" L x 39-1/2" W x 25-1/2" H.

Tub Water Capacity: 80 gallons

Tub Weight Uncrated: 200 lbs. Tub Weight Crated: 425 lbs



Water is 18" deep at drain.
All measurements are approximate.
Measurements may vary +/- 1/2".