

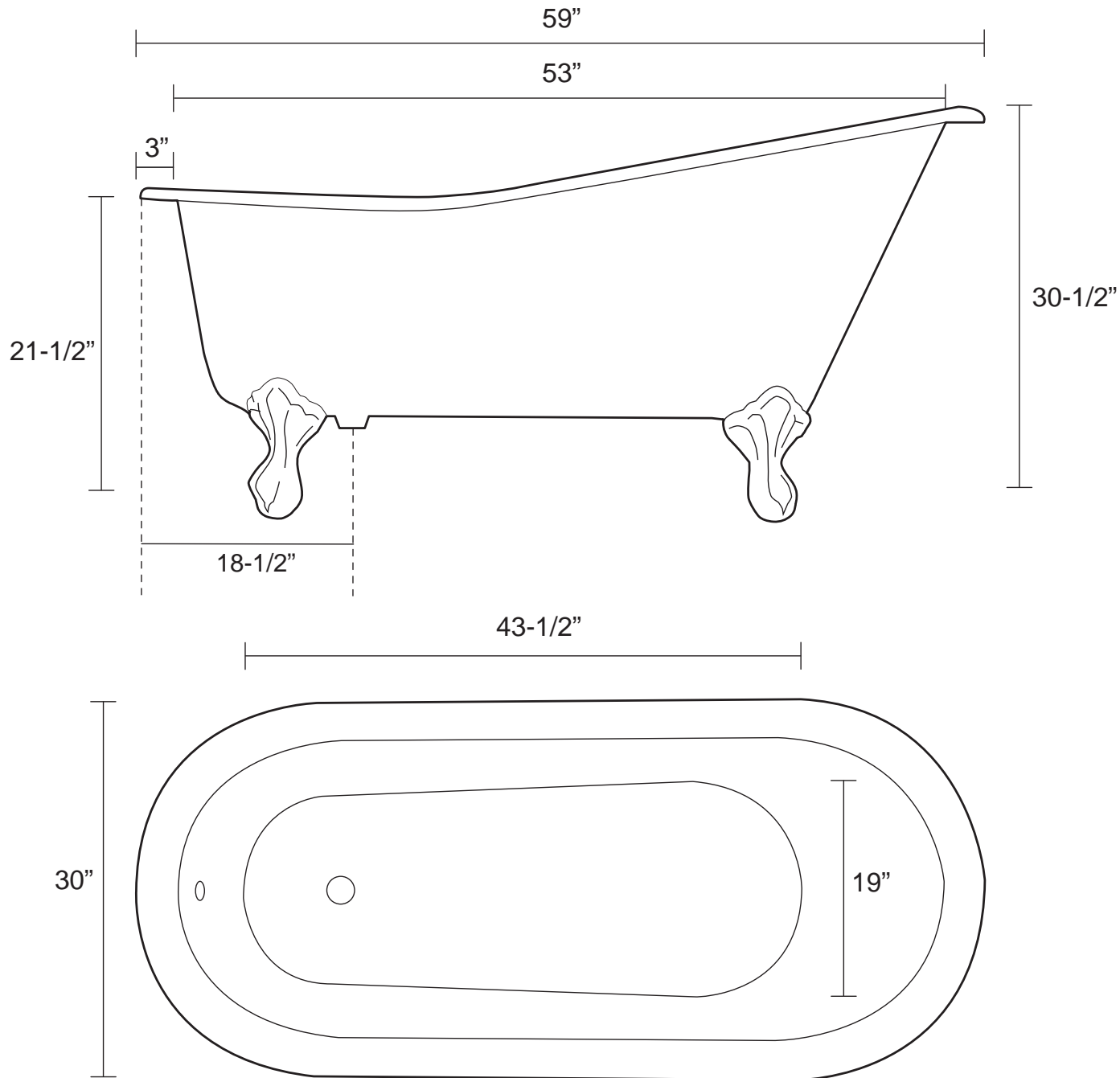
59" Norah Victorian Copper Slipper on Feet

Smooth exterior and Nickered interior.

Tub Dimensions: 59" L x 30" W x 30-1/2" H

Tub Water Capacity: 45 gallons

Tub Weight Uncrated: 200 lbs Tub Weight Crated: 425 lbs.



Tub is 17" deep at drain.

Water depth to overflow is 13" H

All measurements are approximate. Measurements may vary +/- 1/2".