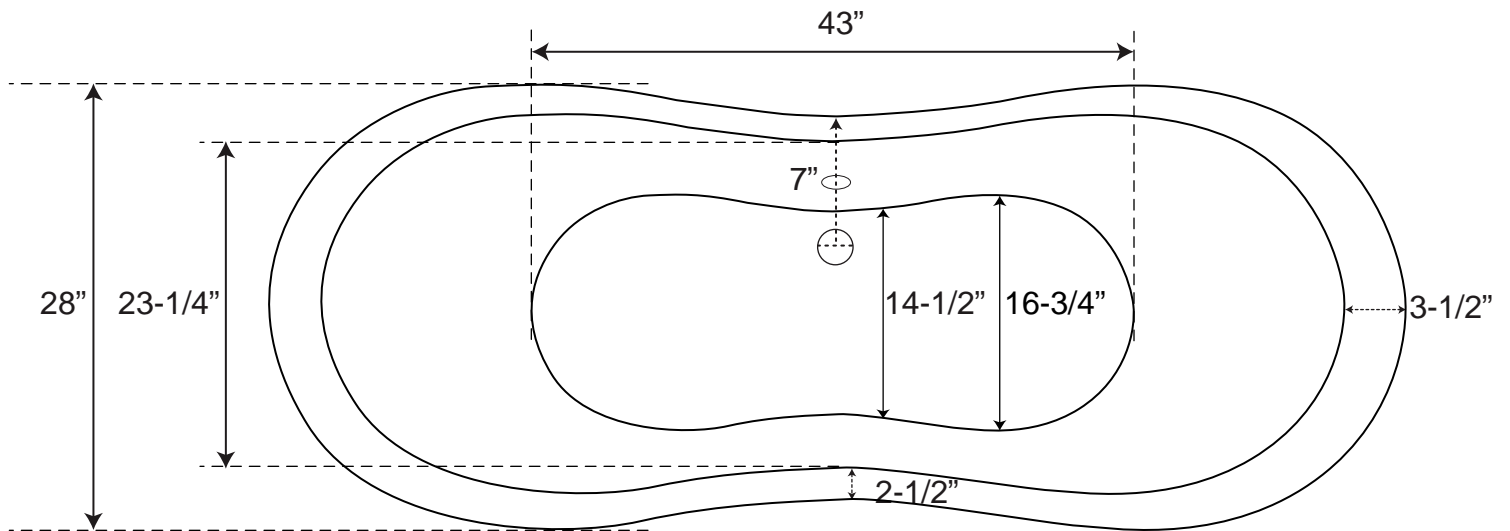
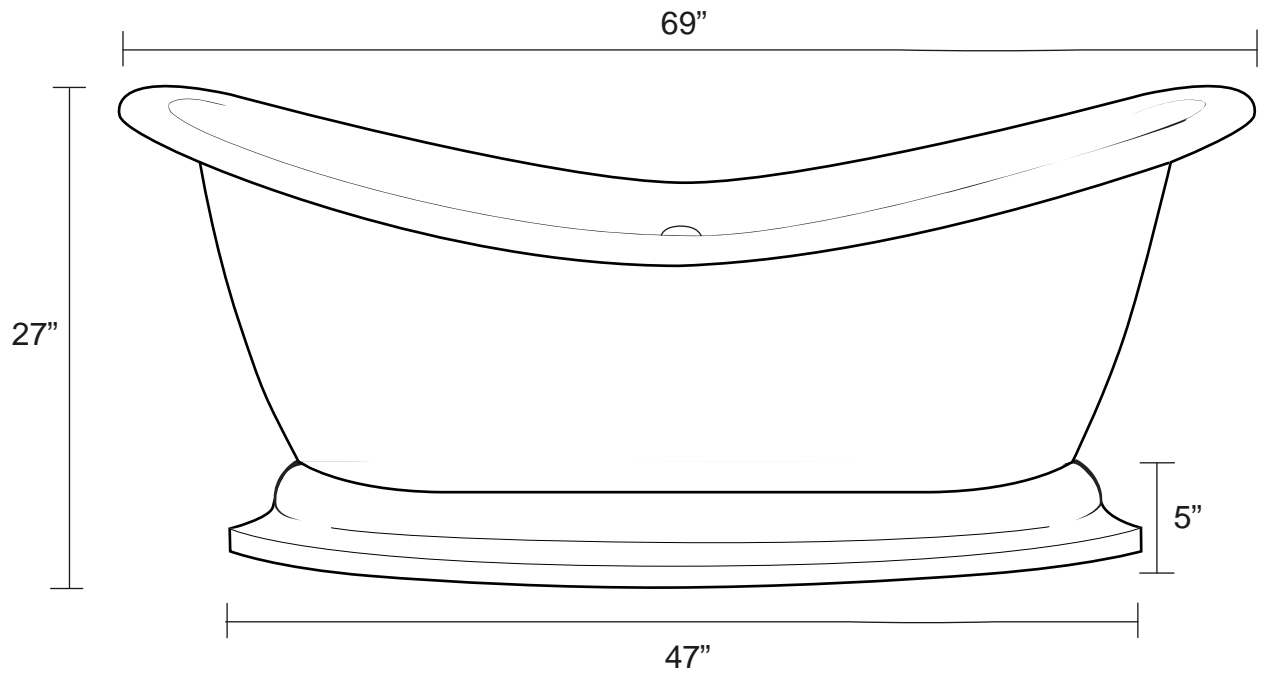


# Aleisa Acrylic Double Slipper on Plinth

Tub Dimensions: 69" L x 28" W x 27" H

Water Capacity: 42 Gallons

Tub Weight Uncrated: 200 lbs. Tub Weight Crated: 425 lbs.



Water depth to overflow is 13-1/2" H  
All measurements are approximate.  
Measurements may vary +/- 1/2".