

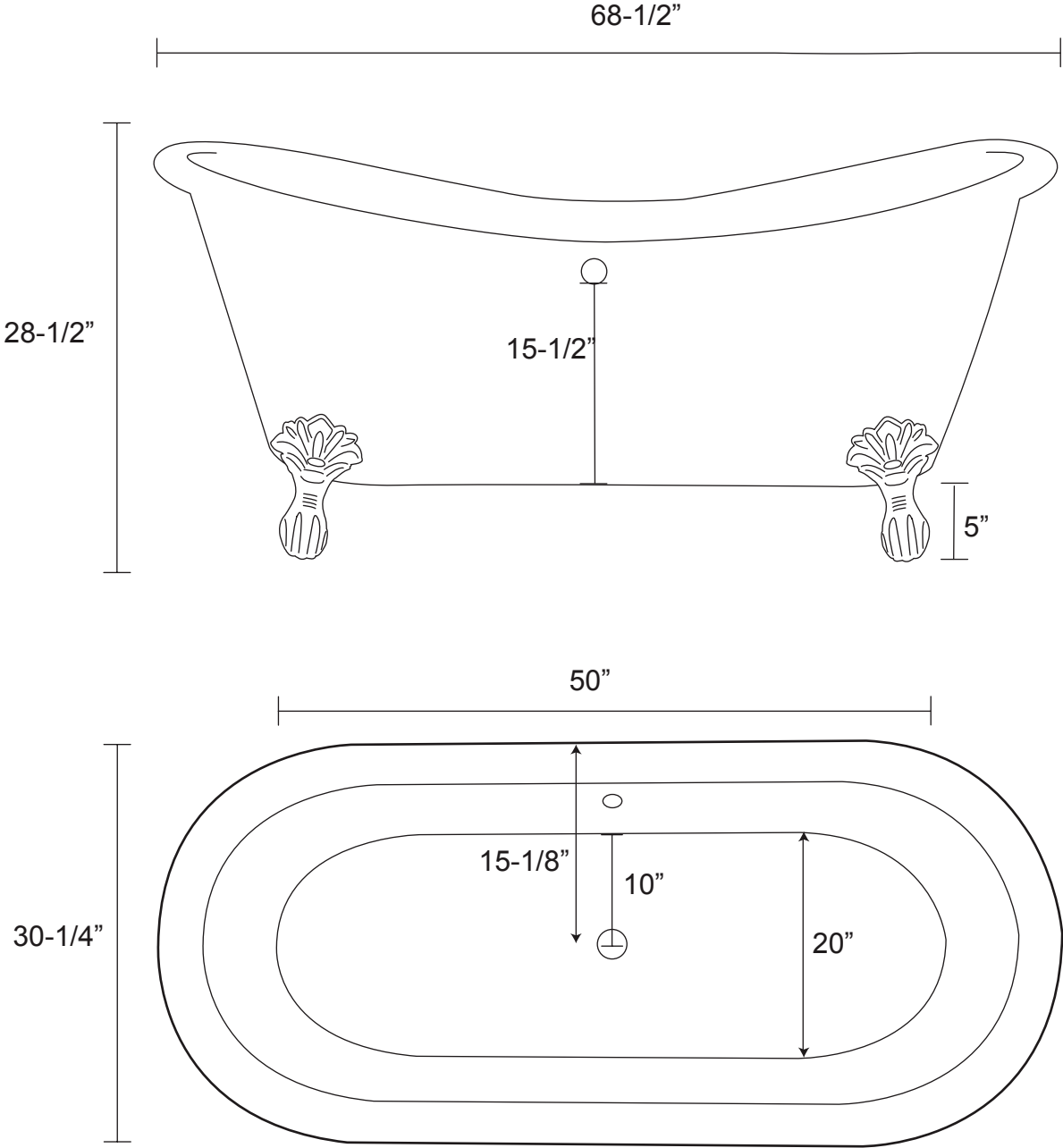
68" Hadley Copper Double Slipper Tub on Claw Feet

Hammered Exterior and Interior; Polished Brass Claw Feet

Tub Dimensions: 68-1/2" L x 30-1/4" W x 28-1/2" H

Water Capacity: 67 Gallons

Tub Weight Uncrated: 110 lbs. Tub Weight Crated: 335 lbs.



Tub rim is 2-1/2" wide.

Overflow hole is 1-5/8" diameter.

Water depth is 15-1/2" to overflow.

Overflow is 20" from floor.

All measurements are approximate. Measurements may vary +/- 1/2".