

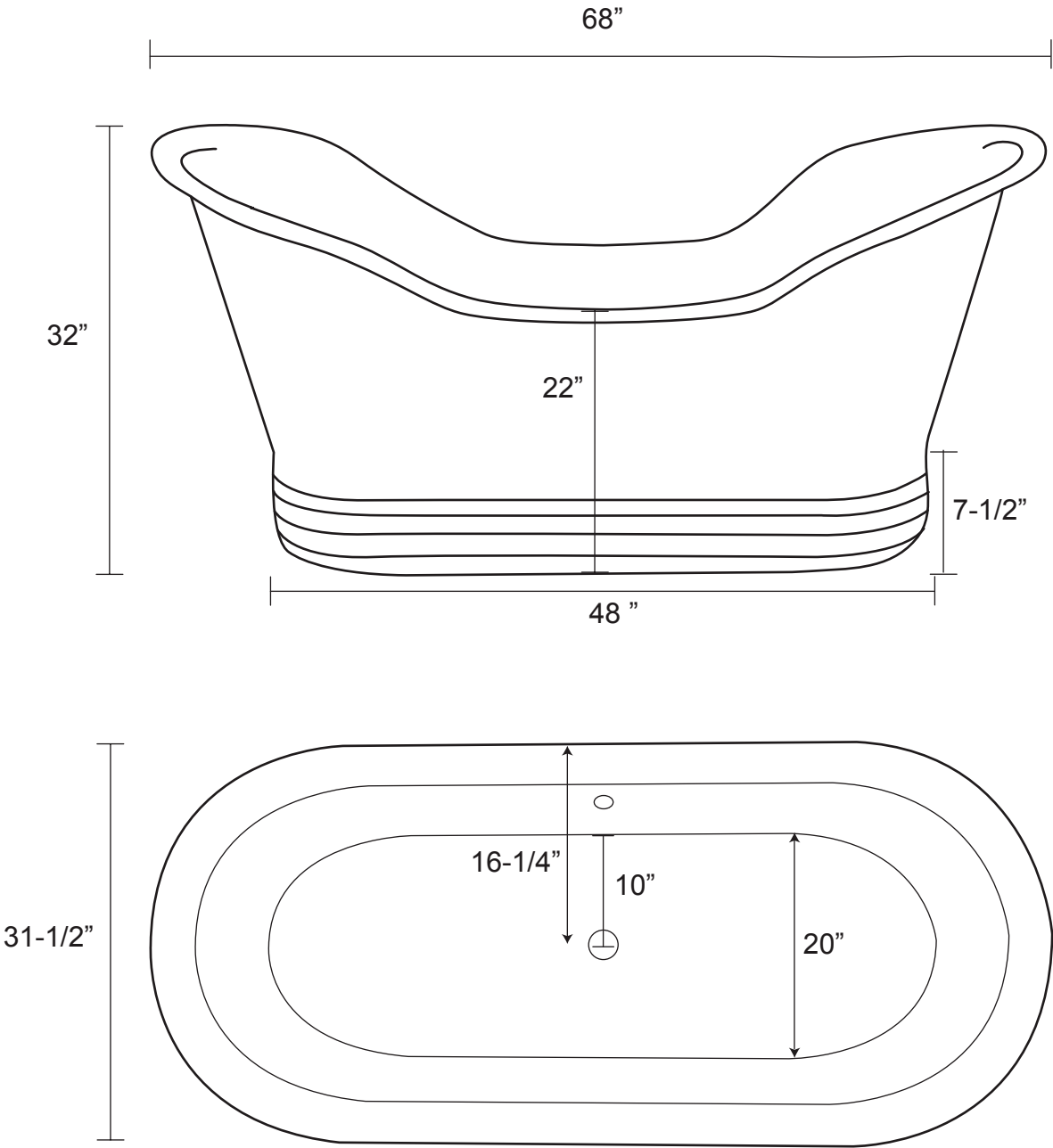
68" Eldon Copper Double Slipper Tub

Hammered Exterior and Tinned Hammered Interior

Tub Dimensions: 68" L x 31-1/2" W x 32" H

Water Capacity: 58 Gallons

Tub Weight Uncrated: 114 lbs. Tub Weight Crated: 339 lbs.



Tub rim is 2-1/2" wide.

Overflow hole is 1-5/8" diameter.

Water depth is 14" to overflow.

Overflow is 19" from floor.

All measurements are approximate. Measurements may vary +/- 1/2".