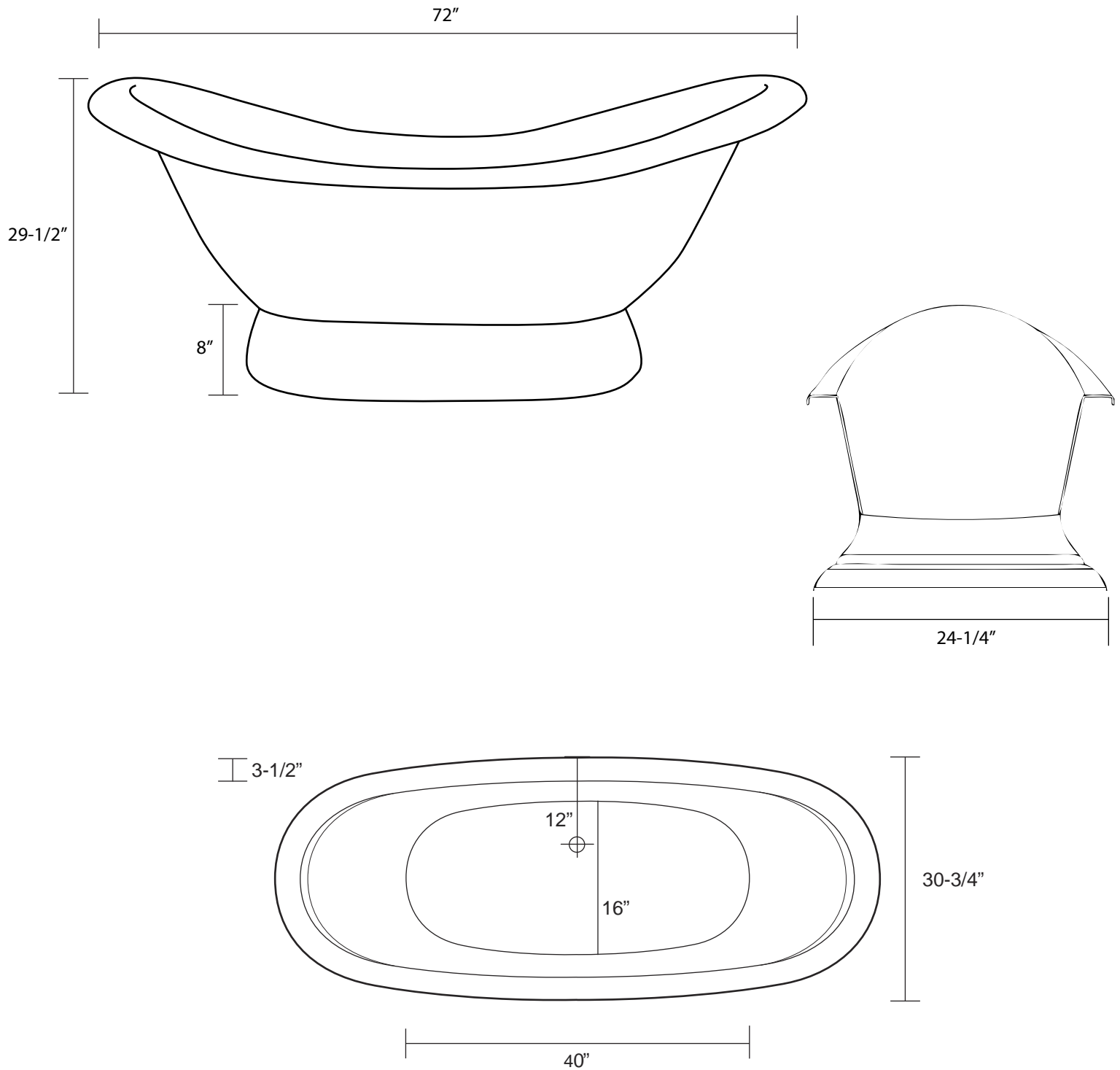


Salem Cast Iron Double Slipper Tub on Plinth (No Tap Holes)

Tub Dimensions: 72" L x 30-3/4" W x 22-3/8 - 29-1/2" H

Tub Water Capacity: 36 gallons

Tub Weight Uncrated: 470 lbs. Tub Weight Crated: 695 lbs.



Tub is 17" deep at drain.

Water depth to overflow is 13" H.

Overflow hole diameter is 2".

All measurements are approximate.

Measurements may vary +/- 1/2".