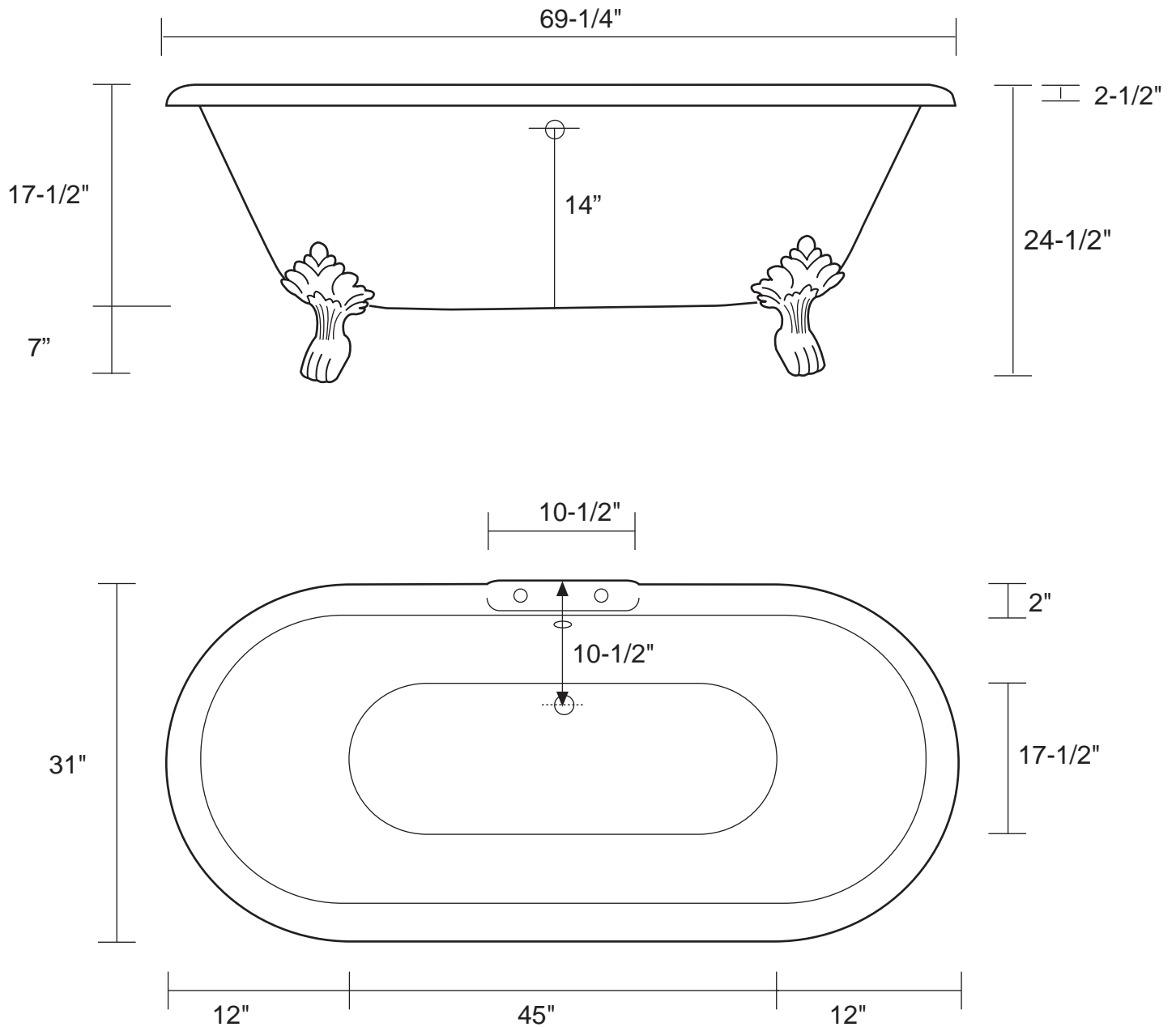


Mara Double Ended Acrylic Tub

Tub Dimensions: 69-1/4" L x 31" W x 24-1/2" H

Tub water capacity: 48 gallons

Tub Weight Uncrated: 115 lbs. Tub Weight Crated: 340 lbs.



Tub is 14-1/2" deep at drain.

Overflow hole diameter is 1-1/4"

Water depth to overflow is 14" H.

All measurements are approximate. Measurements may vary +/- 1/2".