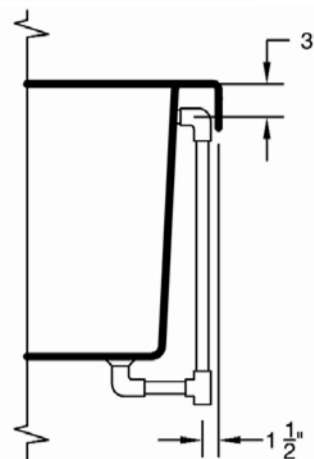
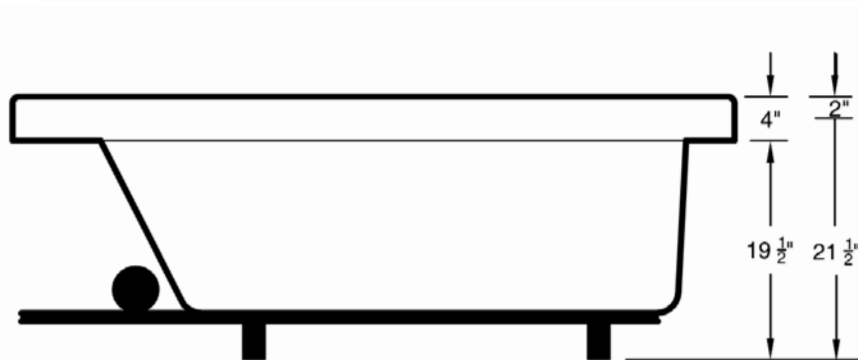
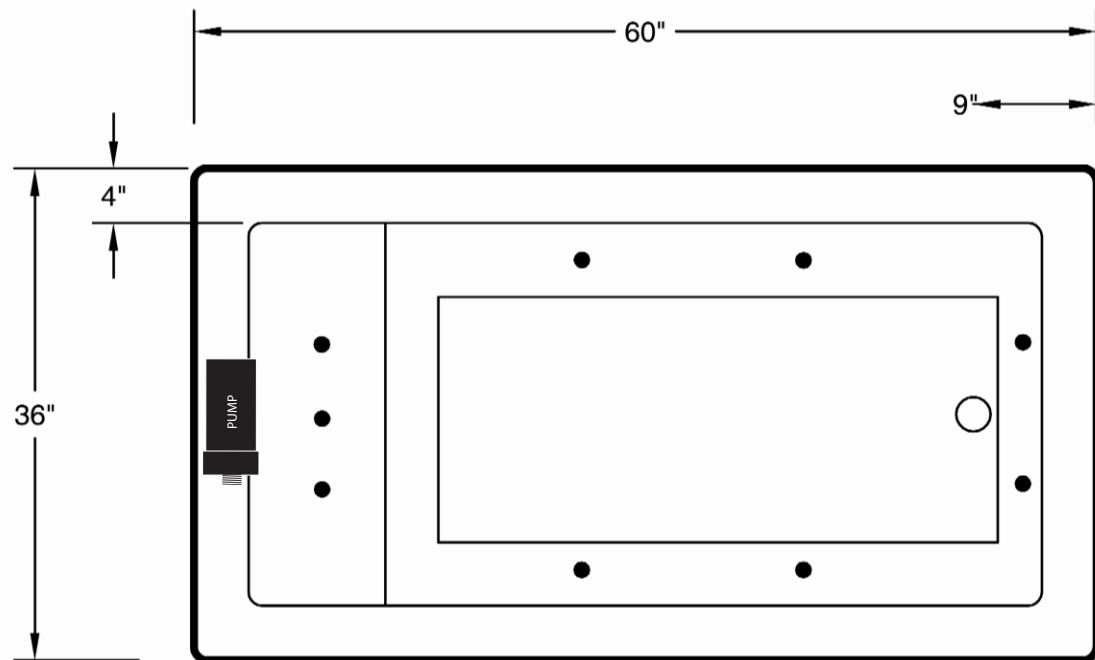


venetian collection

S P E C I F I C A T I O N S

3660VNW Venetian



Ⓞ Optional Pump Location



Standard Pump Location

- All dimensions are plus or minus (maximum tolerance)
- Vita Bath reserves the right to make changes without notice.
- Copyright, all rights reserved.

MODEL: 3660VNW

SIZE: 36" x 60"

EST. BOXED WEIGHT: 110 lbs. (Tub Only)

EST. BOXED WEIGHT: 160 lbs. (Whirlpool)

EST. BOXED WEIGHT: 190 lbs. (Whirlpool W:Champ/Air)

BOXED SIZE: 39" X 71" 24"

AVERAGE FILL (gallons): 65

PUMP SIZE: 1.5 HP

ELECTRICAL: 110 V 20 Amp Circuit

MATERIAL: Acrylic reinforced fiberglass

STANDARD COLORS: White, Bone, Almond, Biscuit
Sterling Silver, Linen

STANDARD FEATURES: Air Switch

JETS: 6 Jets, 3 Cluster jets

AIR CONTROL(S): 2

SUCTION FITTINGS: 1

Interior Depth	Interior Length Top	Interior Width Top	Interior Length Bottom	Interior Width Bottom
19 ³ / ₄	51 ¹ / ₈	26 ¹ / ₂	41 ¹ / ₄	24

*Except interior depth, all dimensions are approximations to the nearest inch.

VITA[®] VBATH

A Division of DM Industries, Ltd.
2320 N.W147th St., Miami, FL 33054
Tel: (305) 685-5739 / (888) 289-8482
Fax: (305) 688-9415 / (800) 785-5222
Web Site: <http://www.vitabath.com>