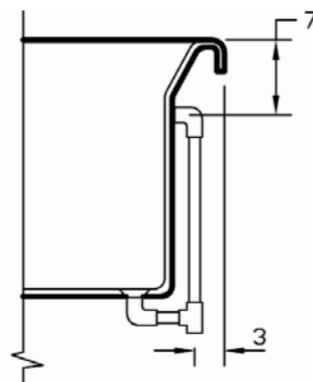
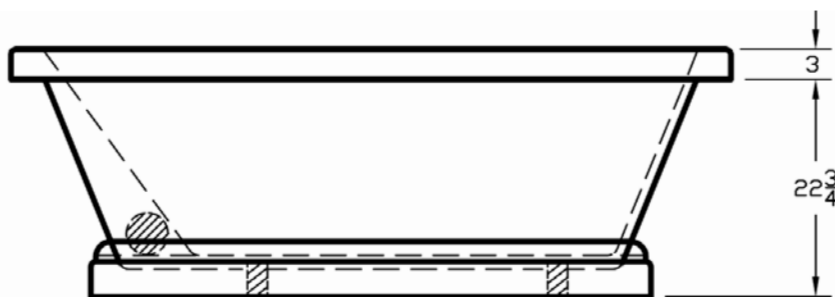
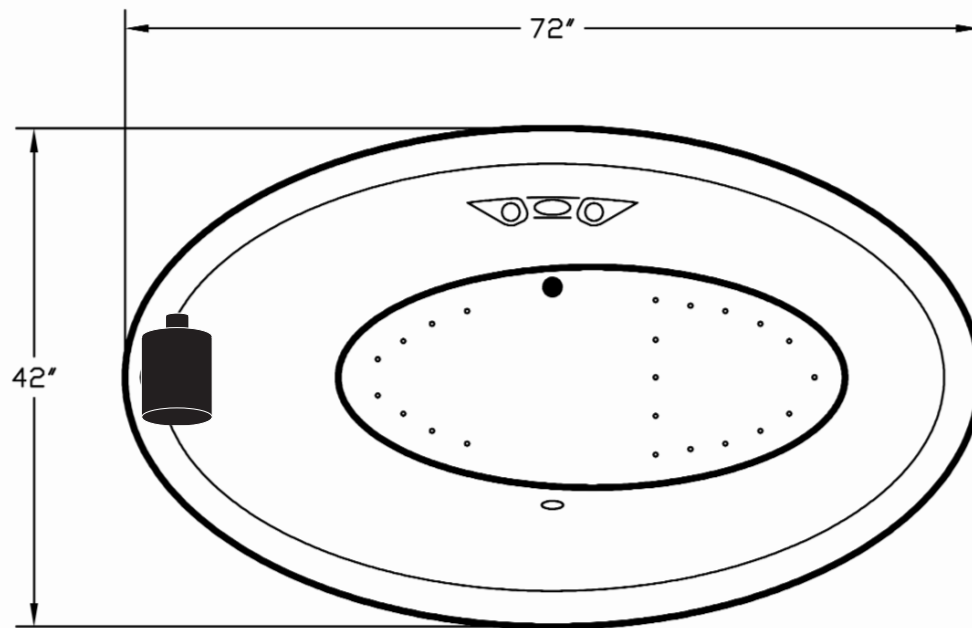


elite plus collection

4272EAS L'Eau

S P E C I F I C A T I O N S

- All dimensions are plus or minus (maximum tolerance)
- Vita Bath reserves the right to make changes without notice.
- Copyright, all rights reserved.



Standard Pump Location

- MODEL: 4272EAS
- SIZE: 42" x 72"
- EST. BOXED WEIGHT: 160 lbs.
- BOXED SIZE: 43" X 82" X 23"
- AVERAGE FILL (gallons): 97
- AIR PUMP SIZE: 1.0 HP
- ELECTRICAL: 110 V 20 Amp Circuit
- MATERIAL: Acrylic reinforced fiberglass
- STANDARD COLORS: White, Bone, Almond, Biscuit Sterling Silver, Linen
- STANDARD FEATURES: Electronic Digital Control, Air Pump with Heater, Spectra-Glo, VitAroma
- JETS: 22 Aero--ssage Jets

Interior Depth	Interior Length Top	Interior Width Top	Interior Length Bottom	Interior Width Bottom
21 1/4	60	32	41	27

* Except interior depth, all dimensions are approximations to the nearest inch.

AromaSpa™
by **VITA BATH**

A Division of DM Industries, Ltd.
2320 N.W 147th St., Miami, FL 33054
Tel: (305) 685-5739 / (888) 289-8482
Fax: (305) 688-9415 / (800) 785-5222
Web Site: <http://www.vitabath.com>