

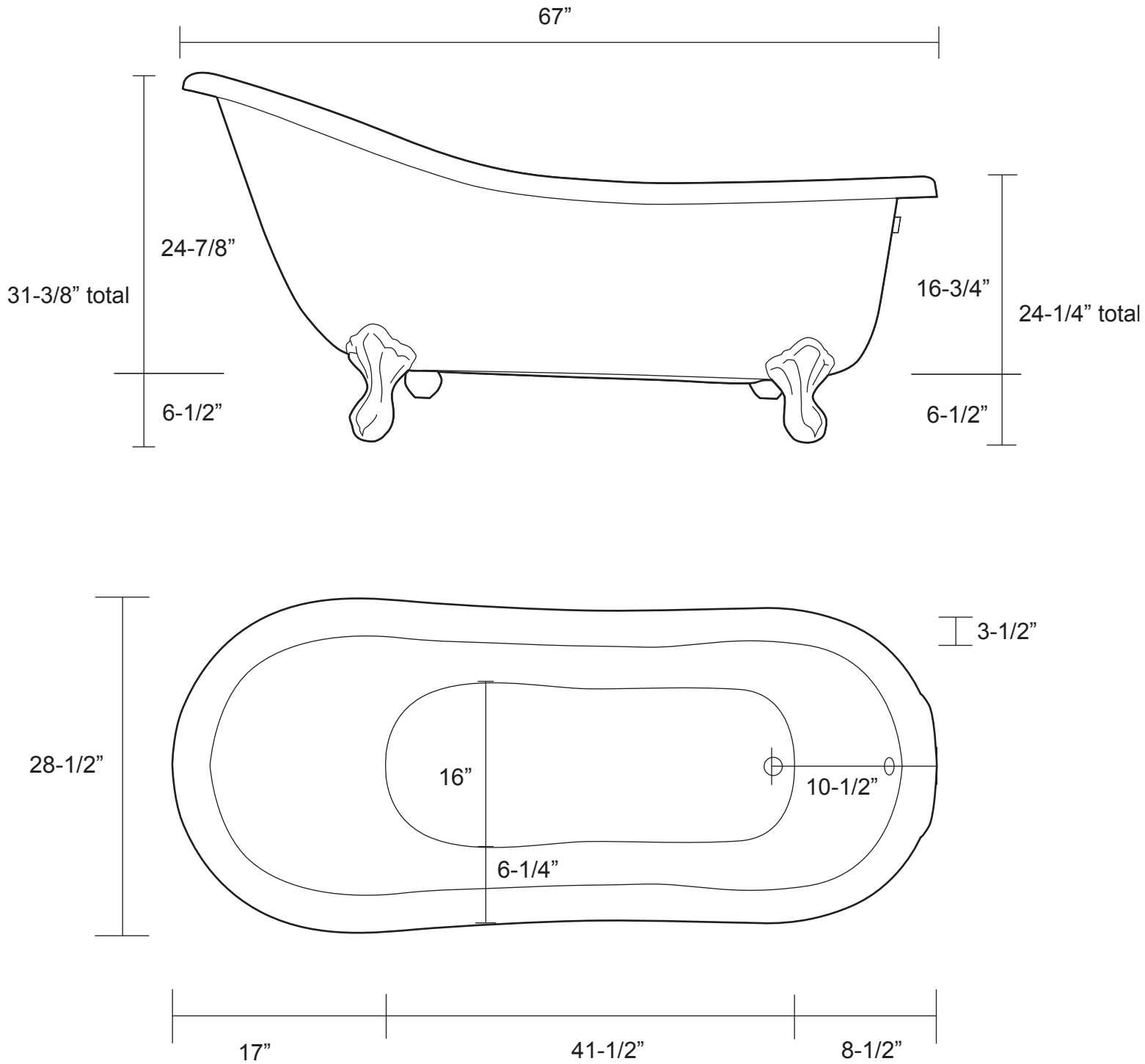
67" Victorian Acrylic Slipper Tub

Tub Dimensions: 67" L x 28-1-2" W x 24-1/4 - 31-3/8" H

30 year manufacturer's warranty.

Tub water capacity: 55 gallons

Tub Weight Uncrated: 133 lbs. Tub Weight Crated: 313 lbs.



Tub is 17-3/4" deep at drain.

Overflow hole diameter is 1-1/2"

Water depth to overflow is 14" H

All measurements are approximate.