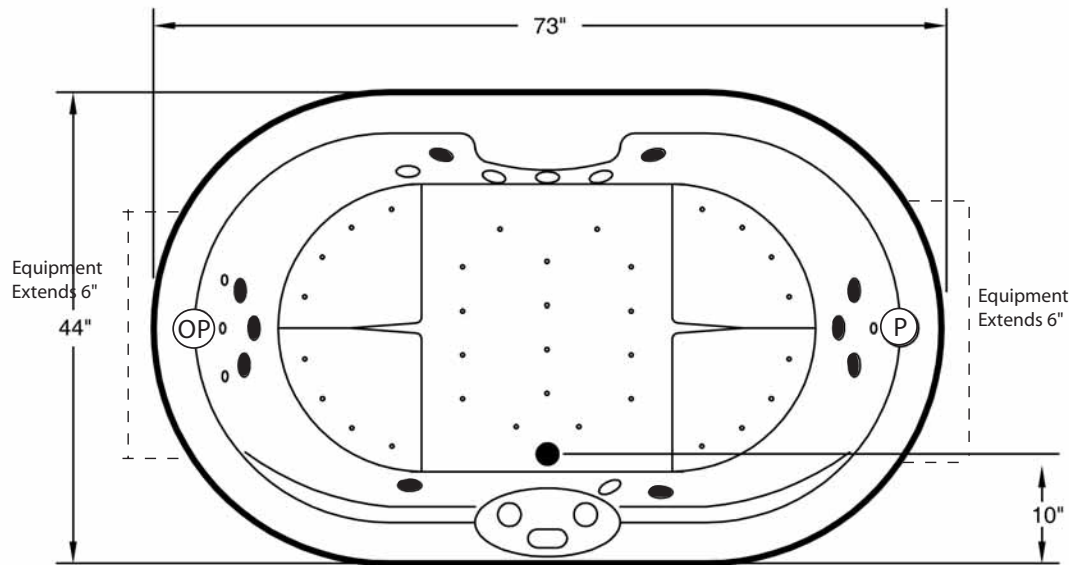


masterbath collection

4473AWMB-L'Allure

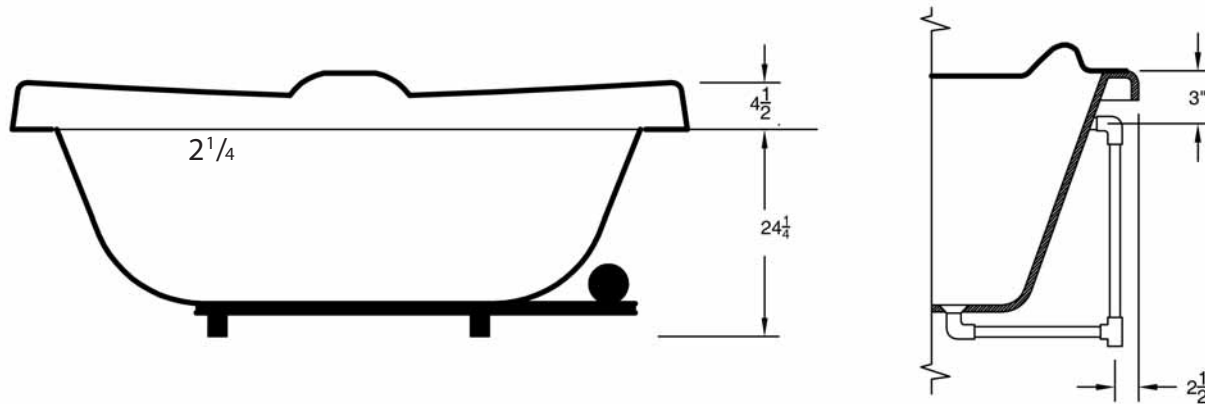
S P E C I F I C A T I O N S

- All dimensions are plus or minus (maximum tolerance)
- Vita Bath reserves the right to make changes without notice.
- Copyright, all rights reserved.



- MODEL: 4473AWMB
 SIZE: 44" X 73"
 EST. CRATED WEIGHT: 335 lbs
 CRATED SIZE: 48" x 51" x 83"
 AVERAGE FILL (gallons): 90
 PUMP SIZE: 3 HP
 HEATER: 1.5 KW
 ELECTRICAL: 220 V 30 Amp Circuit
 MATERIAL: Acrylic reinforced fiberglass
 STANDARD COLORS: White, Black, Bone, Almond, Biscuit, Linen, Inn. Blush, Sterling Silver
 STANDARD FEATURES: VitAroma with Champagne Air, Waterfall, Electronic Control, Spectra-Glo
 JETS: Directional 10, Cluster 4
 AIR JETS: 27 Aero--sage Jets
 AIR CONTROL(S): 1
 SUCTION FITTINGS: 2

TEMPLATE AVAILABLE



(P) Standard Pump Location

(OP) Optional Pump Location

Notes: Tub includes 1" acrylic seat (standard) tub can be ordered as right hand (as shown above) or left hand

Interior Depth	Interior Length Top	Interior Width Top	Interior Length Bottom	Interior Width Bottom
23	65 1/2	35 3/4	47 1/4	22 1/4

*Except interior depth, all dimensions are approximations to the nearest inch.

VITA[®] VBATH

A Division of DM Industries, Ltd.
 2320 N.W 147th St., Miami, FL 33054
 Tel: (305) 685-5739 / (888) 289-8482
 Fax: (305) 688-9415 / (800) 785-5222
 Web Site: <http://www.vitabath.com>