

CONTEMPO SERIES

Zero Radius Undermount 70/30 Double Bowl

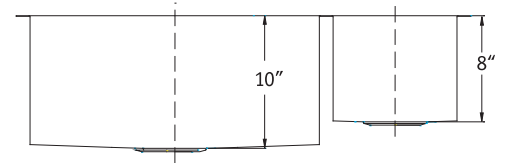
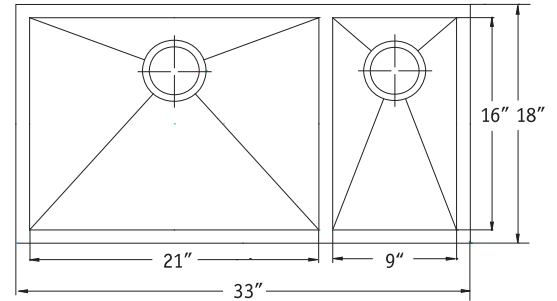


FEATURES

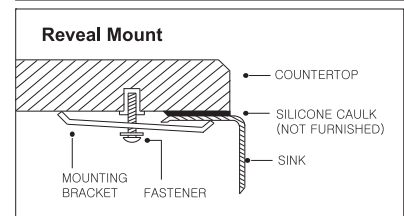
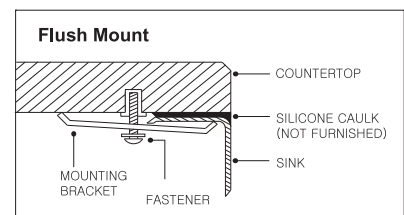
- Premium grade T-304 stainless steel
- 10" & 8" depth • 18 gauge
- MegaShield™ insulation sound absorbing pad
- True zero radius ledge and bottom
- Brushed satin, rear-set drain • 3-1/2" drain opening
- Fits 36" sink base
- Supplied with cutout template, fasteners and instructions
- Complies with ASME A112.19.3-2000, UPC®
- Lifetime Limited Warranty



ASME A112.19.3-2000



Installation profile



OVERALL DIMENSIONS	EACH BOWL	CUTOUT SIZE	PACKAGING*	WEIGHT*
33" x 18"	21" x 16" 9" x 16"	See Template	1/12 pcs.	37/480 lbs.

All dimensions are in inches. Specifications subject to change without notice.