

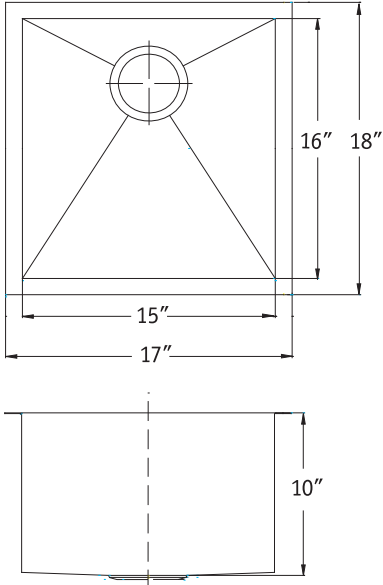
**CONTEMPO SERIES**

**Zero Radius Undermount Prep Sink**



**FEATURES**

- Premium grade T-304 stainless steel
- 10" depth • 18 gauge
- MegaShield™ insulation sound absorbing pad
- True zero radius ledge and bottom
- Brushed satin, rear-set drain • 3-1/2" drain opening
- Fits 24" sink base
- Supplied with cutout template, fasteners and instructions
- Complies with ASME A112.19.3-2000, UPC®
- Lifetime Limited Warranty



| OVERALL DIMENSIONS | EACH BOWL | CUTOUT SIZE  | PACKAGING* | WEIGHT*     |
|--------------------|-----------|--------------|------------|-------------|
| 17" x 18"          | 15" x 16" | See Template | 1/12 pcs.  | 19/350 lbs. |

All dimensions are in inches. Specifications subject to change without notice.

**Installation profile**

